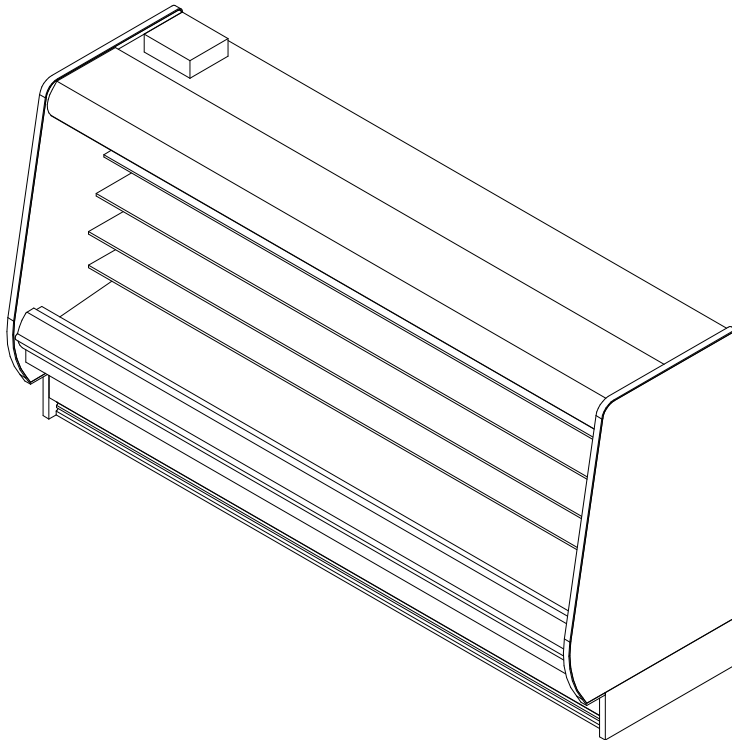


OHP-NRG

4', 6', 8' & 12' Multi-Deck Merchandiser
Bulk Produce / Bakery / Dairy / Cut Produce

GENERAL NOTES:

- "---" indicates that the feature is not an option on this case model and/or the data is not available at this time.
- LED lights only.



SHIPPING WEIGHT	
Case	Weight
OHP-NRG	---



ALL MEASUREMENTS ARE TAKEN PER ASHRAE-72 SPECIFICATIONS. HILLPHOENIX REFRIGERATED DISPLAY CASES FOR SALE IN THE UNITED STATES MEET OR EXCEED DEPARTMENT OF ENERGY 2017 REQUIREMENTS.

OHP-NRG

Rev. Date	Rev. #	Rev. Title
07-15-21	8	ENDVIEW UPDATE
09-25-19	7	OPTIONS UPDATE



ELECTRICAL DATA			
Case Length	Fans Per Case	High Efficiency Fans	
		120 Volt	
		Amps	Watts
4'	1	0.23	0.18
6'	2	0.47	35.00
8'	3	0.70	53.00
12'	4	0.93	71.00

LIGHTING DATA						
Case Length	Lights per row	Lights Length	Clearvoyant v4 LED Lighting (Per Light Row)			
			Standard Power (Cornice or Shelf)		High Power (Cornice Only)	
			120 Volts		120 Volts	
			Amps	Watts	Amps	Watts
4'	1	4'	0.05	5.9	0.12	14.9
6'	2	3'	0.08	9.4	0.20	23.8
8'	2	4'	0.10	11.8	0.25	29.9
12'	3	4'	0.15	17.6	0.37	44.8

GUIDELINES AND CONTROL SETTINGS						
Application	BTUH/ft		Superheat Set Point @ Bulb (°F)	Evaporator (°F)	Discharge Air (°F)	Discharge Air Velocity (FPM)
	Conventional	Parallel				
Bakery/Dairy/Cut Produce	950	910	6 - 8	32	36	150
Bulk Produce	767	735	6 - 8	34	38	150

DEFROST CONTROLS		
Defrosts Per Day	Timed-Off Defrost	
	Fail-Safe (Min)	Termination Temp (°F)
6	40	47

NOTES:

- "--" indicates that the feature is not an option on this case model and/or the data is not available at this time.
- Listed BTUH/ft data represent unlighted shelves. For LED lighting, add 9 BTUH/ft per row of lighted shelving.
- BTUH load increases by 132 BTUH/ft when aftermarket merchandising accessories are utilized.
- Listed evaporator temperature represents unlighted shelves. For lighted shelves and/or aftermarket merchandising accessories, reduce the listed evaporator temperature by 2°F.
- Conventional Discharge Air Control – Recommended Settings: Cut-In Temp = Discharge Air + 2°F; Cut-Out Temp = Discharge Air - 2°F.
- Listed discharge air velocity represents the average velocity immediately after defrost.
- Temperature and defrost settings listed above are recommended start-up settings. Final operational settings may need to be adjusted for the store conditions in which the case operates.
- The recommended evaporator temperatures may need to be adjusted based on system setup, store conditions, etc. The minimum recommended evaporator temperature is 4°F below the listed evaporator temperature.



ALL MEASUREMENTS ARE TAKEN PER ASHRAE-72 SPECIFICATIONS. HILLPHOENIX REFRIGERATED DISPLAY CASES FOR SALE IN THE UNITED STATES MEET OR EXCEED DEPARTMENT OF ENERGY 2017 REQUIREMENTS.

OHP-NRG

Rev. Date	Rev. #	Rev. Title
07-15-21	8	ENDVIEW UPDATE
09-25-19	7	OPTIONS UPDATE



OHP-NRG

4', 6', 8' & 12' Multi-Deck Merchandiser
Bulk Produce / Bakery / Dairy / Cut Produce

SECOND NATURE DATA								
Case Model	No. of Coils	Application	Front Sill height	BTUH/FT		GPM/ft (DR)	Supply Fluid Temp (°F)	Discharge Air Temp (°F)
				Conventional	Parallel			
OHP-NRG	1	Cut Produce	Standards	950	910	0.25	20	36
OHP-NRG	1	Bulk Produce	Standards	767	735	0.09	20	38
OHP-NRG	1	Cut Produce	Standards	950	910	0.45	25	36
OHP-NRG	1	Bulk Produce	Standards	767	735	0.17	25	38

SECOND NATURE DATA									
Case Model	No. of Coils	Application	Front Sill height	Supply Fluid Temp (°F)	No. of Defrost	Timed-Off Defrost		Warm Fluid Defrost	
						Fail-Safe (Min)	Termination Temp (°F)	Fail-Safe (Min)	Termination Temp (°F)
OHP-NRG	1	Cut Produce	Standards	20	6	60	47	26	49
OHP-NRG	1	Bulk Produce	Standards	20	6	60	47	26	49
OHP-NRG	1	Cut Produce	Standards	25	6	45	47	26	49
OHP-NRG	1	Bulk Produce	Standards	25	6	45	47	26	49

NOTES:

- Front sill height and overall case height varies with base frame height.



ALL MEASUREMENTS ARE TAKEN PER ASHRAE-72 SPECIFICATIONS. HILLPHOENIX REFRIGERATED DISPLAY CASES FOR SALE IN THE UNITED STATES MEET OR EXCEED DEPARTMENT OF ENERGY 2017 REQUIREMENTS.

OHP-NRG

Rev. Date	Rev. #	Rev. Title
07-15-21	8	ENDVIEW UPDATE
09-25-19	7	OPTIONS UPDATE



A DOVER COMPANY

FRONT OPTIONS		CORNICHE OPTIONS					
		CURVED CORNICE 34 7/8"	CURVED CORNICE WITH NIGHT COVER 40 1/4"	FACETED CORNICE 34 3/4"	FACETED CORNICE WITH NIGHT COVER 38"	FLAT CORNICE 34"	FLAT CORNICE WITH STANDARD NIGHT COVER 36 5/8"
FRONT OPTIONS	FLAT FRONT 2	STANDARD FRONT 28 1/8" [71.5 cm] 22 3/8" [56.7 cm]		EXTENDED STANDARD FRONT 33 1/8" [84.0 cm] 27" [68.6 cm]		6" THERMOPANE FRONT 33 3/8" [84.9 cm] 27 3/8" [69.5 cm]	
	FLAT FRONT	STANDARD FRONT 27" [68.7 cm] 21 1/8" [53.8 cm]		EXTENDED STANDARD FRONT 30" [76.2 cm] 24 1/8" [61.3 cm]		6" THERMOPANE FRONT 33 1/8" [84.1 cm] 27 1/4" [69.1 cm]	
	CLASSIC 2 METAL	STANDARD FRONT 27" [68.7 cm] 21 1/8" [53.7 cm]		EXTENDED STANDARD FRONT 30" [76.2 cm] 24 1/8" [61.3 cm]		6" THERMOPANE FRONT 33 1/8" [84.2 cm] 27 1/4" [69.3 cm]	
	CLASSIC 2 POLYMER	STANDARD FRONT 27" [68.7 cm] 21 1/8" [53.7 cm]		EXTENDED STANDARD FRONT 30" [76.2 cm] 24 1/8" [61.3 cm]		6" THERMOPANE FRONT 33 1/8" [84.2 cm] 27 1/4" [69.3 cm]	
	ORIGIN 2	STANDARD FRONT 27" [68.7 cm] 21 1/8" [53.8 cm]		EXTENDED STANDARD FRONT 30" [76.2 cm] 24 1/8" [61.3 cm]		6" THERMOPANE FRONT 33 1/8" [84.2 cm] 27 1/4" [69.3 cm]	

NOTES:

- Front sill height and overall case height varies with base frame height.

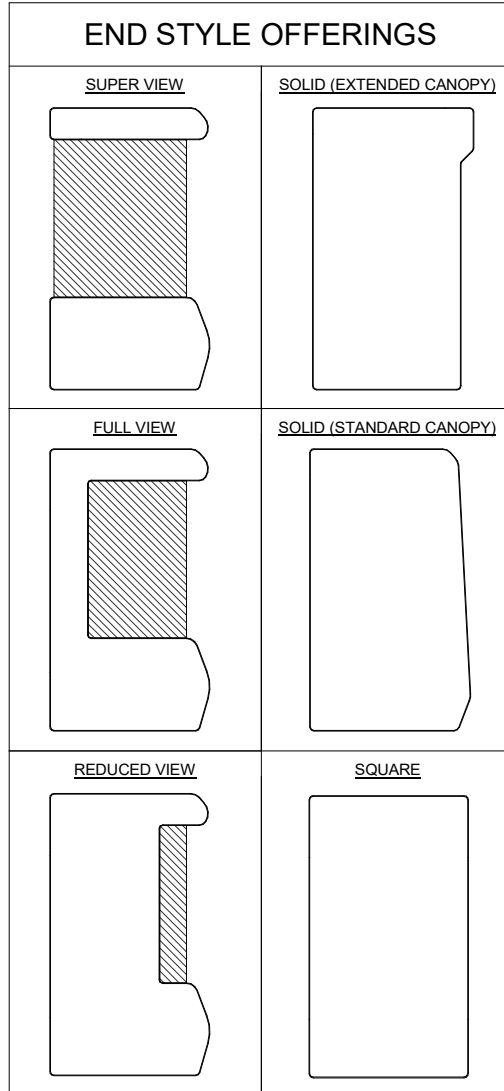


ALL MEASUREMENTS ARE TAKEN PER ASHRAE-72 SPECIFICATIONS. HILLPHOENIX REFRIGERATED DISPLAY CASES FOR SALE IN THE UNITED STATES MEET OR EXCEED DEPARTMENT OF ENERGY 2017 REQUIREMENTS.

OHP-NRG

Rev. Date	Rev. #	Rev. Title
07-15-21	8	ENDVIEW UPDATE
09-25-19	7	OPTIONS UPDATE





NOTES:

- Ends shown are for general use only. Shape, size, and appearance are subject to change based on engineering configuration.
- Hatched regions represent glass inserts.
- Ends add approximately 1" to case height, 1/2" to the back & 1" to the front.
- Ends are available with either polymer end trim or metal end trim.




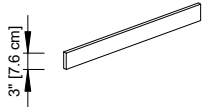
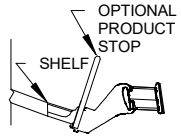

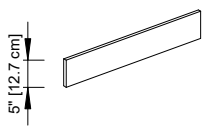

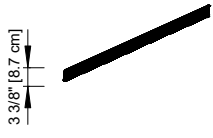

ALL MEASUREMENTS ARE TAKEN PER ASHRAE-72 SPECIFICATIONS. HILLPHOENIX REFRIGERATED DISPLAY CASES FOR SALE IN THE UNITED STATES MEET OR EXCEED DEPARTMENT OF ENERGY 2017 REQUIREMENTS.

OHP-NRG

Rev. Date	Rev. #	Rev. Title
07-15-21	8	ENDVIEW UPDATE
09-25-19	7	OPTIONS UPDATE

OHP-NRG

4', 6', 8' & 12' Multi-Deck Merchandiser
Bulk Produce / Bakery / Dairy / Cut Produce

END STYLE OFFERINGS		SHELF TAG MOLDING OPTIONS	PRODUCT STOP OPTIONS <small>(ONLY APPLICABLE ON SLOTTED TM)</small>	SHELF EDGE ENERGY SAVINGS
Super	Solid	1.25" STD 	3" PLEXI PRODUCT STOPS 	ECO BLADE ANGLED SHELF 
		SLOTTED 	5" PLEXI PRODUCT STOPS 	
Full	Solid	ANGLED 	WIRE FENCE PRODUCT STOPS 	
		ANGLED SLOTTED 		
Reduced	SQ			

NOTES:

- Tag molding materials are PVC, aluminum, or painted aluminum.
- See Ecoblade tech sheet for additional information.



ALL MEASUREMENTS ARE TAKEN PER ASHRAE-72 SPECIFICATIONS. HILLPHOENIX REFRIGERATED DISPLAY CASES FOR SALE IN THE UNITED STATES MEET OR EXCEED DEPARTMENT OF ENERGY 2017 REQUIREMENTS.

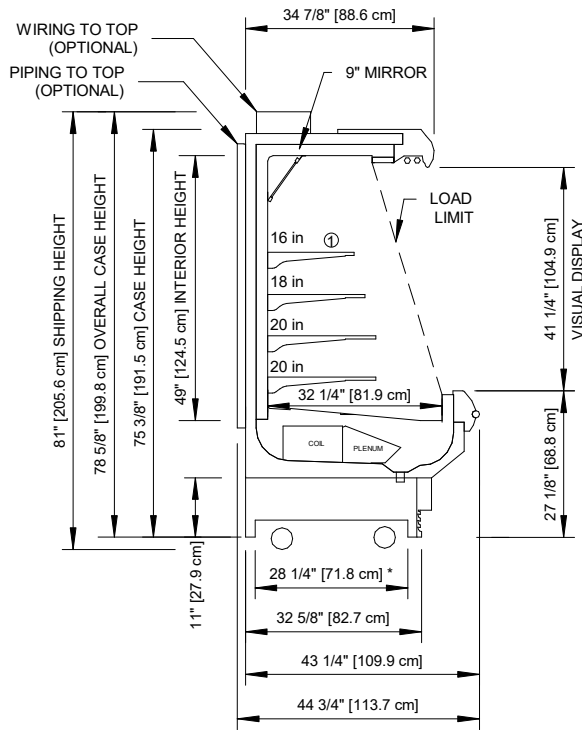
OHP-NRG

Rev. Date	Rev. #	Rev. Title
07-15-21	8	ENDVIEW UPDATE
09-25-19	7	OPTIONS UPDATE

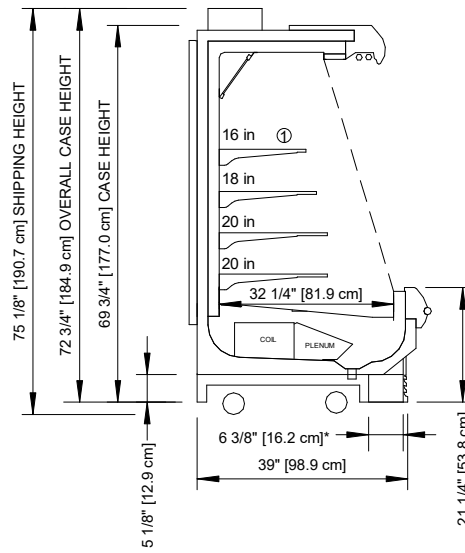


OHP-NRG

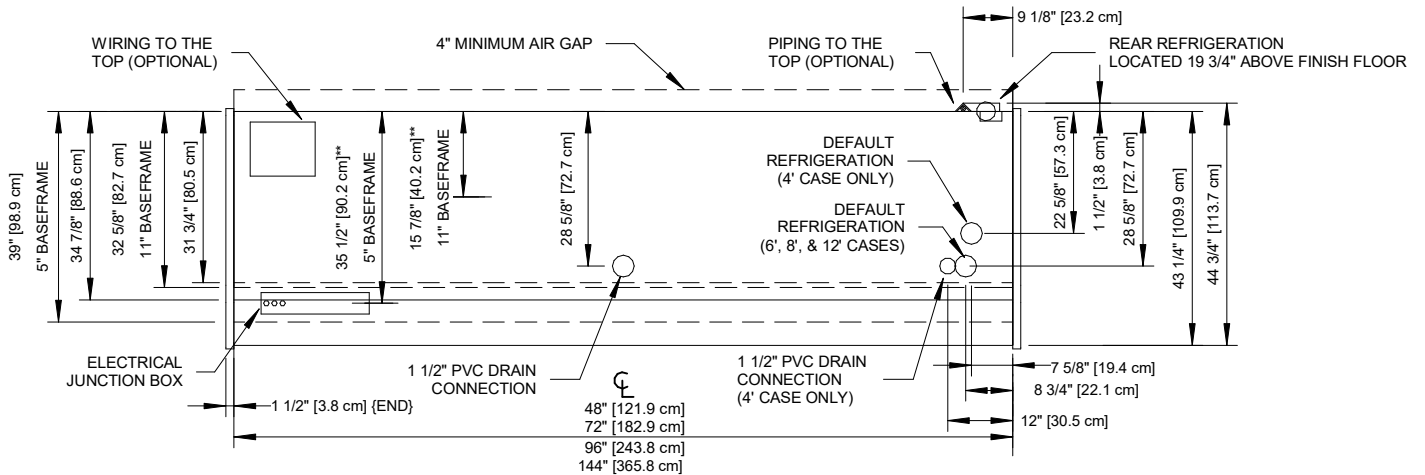
4', 6', 8' & 12' Multi-Deck Merchandiser
Bulk Produce / Bakery / Dairy / Cut Produce



11" BASEFRAME



5" BASEFRAME



NOTES:

- * :STUB-UP AREA
- ** :RECOMMENDED STUP-UP CENTERLINE FOR ELECTRICAL AND DRAINS
- ① :AVAILABLE SHELF SIZES: 16", 18", & 20" Articulating or 14", 16", 18", 20", 22" & 24" Standard:(4) ROWS OF SHELVES MAX

- Ends add approximately 1" to case height, 1/2" to the back & 1" to the front.
- Back panels add approximately 1" to the rear of the case.



OHP-NRG

ALL MEASUREMENTS ARE TAKEN PER ASHRAE-72 SPECIFICATIONS. HILLPHOENIX REFRIGERATED DISPLAY CASES FOR SALE IN THE UNITED STATES MEET OR EXCEED DEPARTMENT OF ENERGY 2017 REQUIREMENTS.

Rev. Date	Rev. #	Rev. Title
07-15-21	8	ENDVIEW UPDATE
09-25-19	7	OPTIONS UPDATE

