

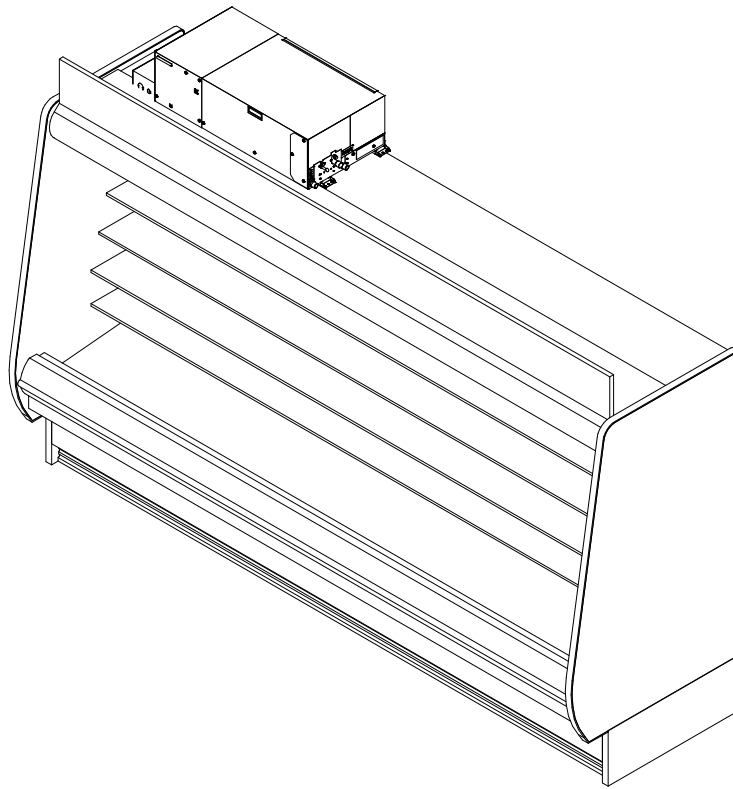
OHPHQQ-NRG

4', 6', 8' & 12' High Multi-Deck Merchandiser with Synerg-E™
Bulk Produce/Bakery/Dairy/Cut Produce



GENERAL NOTES:

- "----" indicates that the feature is not an option on this case model and/or the data is not available at this time.
- LED lights only.
- Maximum of 5 rows of Standard Output LED lighted shelves.



SHIPPING WEIGHT	
Case	Weight
OHPHQQ-NRG	----



ALL MEASUREMENTS ARE TAKEN PER ASHRAE-72 SPECIFICATIONS. HILLPHOENIX REFRIGERATED DISPLAY CASES FOR SALE IN THE UNITED STATES MEET OR EXCEED DEPARTMENT OF ENERGY 2017 REQUIREMENTS.

OHPHQQ-NRG

Rev. Date	Rev. #	Rev. Title
2-10-20	3	FASCIA UPDATE
9-17-19	2	SOLOCHILL V4



OHPHQ-NRG

4', 6', 8' & 12' High Multi-Deck Merchandiser with Synerg-E™
Bulk Produce/Bakery/Dairy/Cut Produce



ELECTRICAL DATA			
Case Length	Fans Per Case	High Efficiency Fans	
		120 Volt	
		Amps	Watts
4'	1	0.23	18.0
6'	2	0.47	35.0
8'	3	0.70	53.0
12'	4	0.93	71.0

LIGHTING DATA						
Case Length	Lights per row	Lights Length	Clearvoyant v4 LED Lighting (Per Light Row)			
			Standard Power (Cornice or Shelf)		High Power (Cornice Only)	
			120 Volts		120 Volts	
			Amps	Watts	Amps	Watts
4'	1	4'	0.05	5.9	0.12	14.9
6'	2	3'	0.08	9.4	0.20	23.8
8'	2	4'	0.10	11.8	0.25	29.9
12'	3	4'	0.15	17.6	0.37	44.8

DEFROST CONTROLS		
Defrosts Per Day	Timed-Off Defrost	
	Fail-Safe (Min)	Termination Temp (°F)
6	40	47

NOTES:

- "---" indicates that the feature is not an option on this case model and/or the data is not available at this time.
- Listed discharge air velocity represents the average velocity immediately after defrost.
- Temperature and defrost settings listed above are recommended start-up settings. Final operational settings may need to be adjusted for the store conditions in which the case operates.



ALL MEASUREMENTS ARE TAKEN PER ASHRAE-72 SPECIFICATIONS. HILLPHOENIX REFRIGERATED DISPLAY CASES FOR SALE IN THE UNITED STATES MEET OR EXCEED DEPARTMENT OF ENERGY 2017 REQUIREMENTS.

OHPHQ-NRG

Rev. Date	Rev. #	Rev. Title
2-10-20	3	FASCIA UPDATE
9-17-19	2	SOLOCHILL V4



A DOVER COMPANY

OHPHQ-NRG

4', 6', 8' & 12' High Multi-Deck Merchandiser with Synerg-E™
Bulk Produce/Bakery/Dairy/Cut Produce



SOLOCHILL DATA			@95° Condensing Temperature		
Volts	Phase	Frequency	Wire		
208	1	60	3 Wire + Ground		
Application	Case Length	Evaporator Temp (°F)	Discharge Air (°F)	Discharge Air Velocity (FPM)	
CUT PRODUCE	4'	30	36	150	
CUT PRODUCE	6'	30	36	150	
CUT PRODUCE	8'	30	36	150	
CUT PRODUCE	12'	30	36	150	
BULK PRODUCE	4'	32	38	150	
BULK PRODUCE	6'	32	38	150	
BULK PRODUCE	8'	32	38	150	
BULK PRODUCE	12'	32	38	150	

Application	Case Length	R448A					
		Condensing Unit Model	MCA	MOP	Required Capacity	THR (BTUH)	Flow Rate
CUT PRODUCE	4'	DA091	8.6	15	5232	6586	1.9
CUT PRODUCE	6'	DA130	12.0	15	7848	9641	2.8
CUT PRODUCE	8'	DA220	18.7	20	10464	12614	3.6
CUT PRODUCE	12'	DA220	19.7	20	15696	18863	5.4
BULK PRODUCE	4'	DA091	8.6	15	4888	6531	1.9
BULK PRODUCE	6'	DA130	12.0	15	7332	9568	2.7
BULK PRODUCE	8'	DA220	18.7	20	9776	12531	3.6
BULK PRODUCE	12'	DA220	19.7	20	14664	18736	5.4



ALL MEASUREMENTS ARE TAKEN PER ASHRAE-72 SPECIFICATIONS. HILLPHOENIX REFRIGERATED DISPLAY CASES FOR SALE IN THE UNITED STATES MEET OR EXCEED DEPARTMENT OF ENERGY 2017 REQUIREMENTS.

OHPHQ-NRG

Rev. Date	Rev. #	Rev. Title
2-10-20	3	FASCIA UPDATE
9-17-19	2	SOLOCHILL V4



A DOVER COMPANY

OHPHQ-NRG

4', 6', 8' & 12' High Multi-Deck Merchandiser with Synerg-E™
Bulk Produce/Bakery/Dairy/Cut Produce

SOLOCHILL
MICRO-DISTRIBUTED

CORNICHE OPTIONS	CURVED CORNICE	CURVED CORNICE WITH NIGHT COVER	FACETED CORNICE	FACETED CORNICE WITH NIGHT COVER	FLAT CORNICE	FLAT CORNICE WITH STANDARD NIGHT COVER
	34 3/4"	38"	34 5/8"	37 7/8"	33 7/8"	36 1/2"
FRONT OPTIONS	FLAT FRONT 2	STANDARD FRONT 11" BASEFRAME: 28 1/8" [71.5 cm] 5" BASEFRAME: 22 3/8" [56.7 cm]	EXTENDED STANDARD FRONT 11" BASEFRAME: 33 1/8" [84.0 cm] 5" BASEFRAME: 27" [68.6 cm]	6" THERMOPANE FRONT 11" BASEFRAME: 33 3/8" [84.9 cm] 5" BASEFRAME: 27 3/8" [69.5 cm]		
	FLAT FRONT	STANDARD FRONT 11" BASEFRAME: 27" [68.7 cm] 5" BASEFRAME: 21 1/8" [53.8 cm]	EXTENDED STANDARD FRONT 11" BASEFRAME: 30" [76.2 cm] 5" BASEFRAME: 24 1/8" [61.3 cm]	6" THERMOPANE FRONT 11" BASEFRAME: 33 1/8" [84.1 cm] 5" BASEFRAME: 27 1/4" [69.1 cm]		
	CLASSIC 2 METAL	STANDARD FRONT 11" BASEFRAME: 27" [68.7 cm] 5" BASEFRAME: 21 1/8" [53.7 cm]	EXTENDED STANDARD FRONT 11" BASEFRAME: 30" [76.2 cm] 5" BASEFRAME: 24 1/8" [61.3 cm]	6" THERMOPANE FRONT 11" BASEFRAME: 33 1/8" [84.2 cm] 5" BASEFRAME: 27 1/4" [69.3 cm]		
	CLASSIC 2 POLYMER	STANDARD FRONT 11" BASEFRAME: 27" [68.7 cm] 5" BASEFRAME: 21 1/8" [53.7 cm]	EXTENDED STANDARD FRONT 11" BASEFRAME: 30" [76.2 cm] 5" BASEFRAME: 24 1/8" [61.3 cm]	6" THERMOPANE FRONT 11" BASEFRAME: 33 1/8" [84.2 cm] 5" BASEFRAME: 27 1/4" [69.3 cm]		
	ORIGIN 2	STANDARD FRONT 11" BASEFRAME: 27" [68.7 cm] 5" BASEFRAME: 21 1/8" [53.8 cm]	EXTENDED STANDARD FRONT 11" BASEFRAME: 30" [76.2 cm] 5" BASEFRAME: 24 1/8" [61.3 cm]	6" THERMOPANE FRONT 11" BASEFRAME: 33 1/8" [84.2 cm] 5" BASEFRAME: 27 1/4" [69.3 cm]		

NOTES:

- Front sill height and overall case height varies with base frame height.
- Extended front sills are required on meat applications to maintain proper temperature. An extended front has a minimum height of 24" on a 5" baseframe or 30" on an 11" baseframe.



ALL MEASUREMENTS ARE TAKEN PER ASHRAE-72 SPECIFICATIONS. HILLPHOENIX REFRIGERATED DISPLAY CASES FOR SALE IN THE UNITED STATES MEET OR EXCEED DEPARTMENT OF ENERGY 2017 REQUIREMENTS.

OHPHQ-NRG

Rev. Date	Rev. #	Rev. Title
2-10-20	3	FASCIA UPDATE
9-17-19	2	SOLOCHILL V4

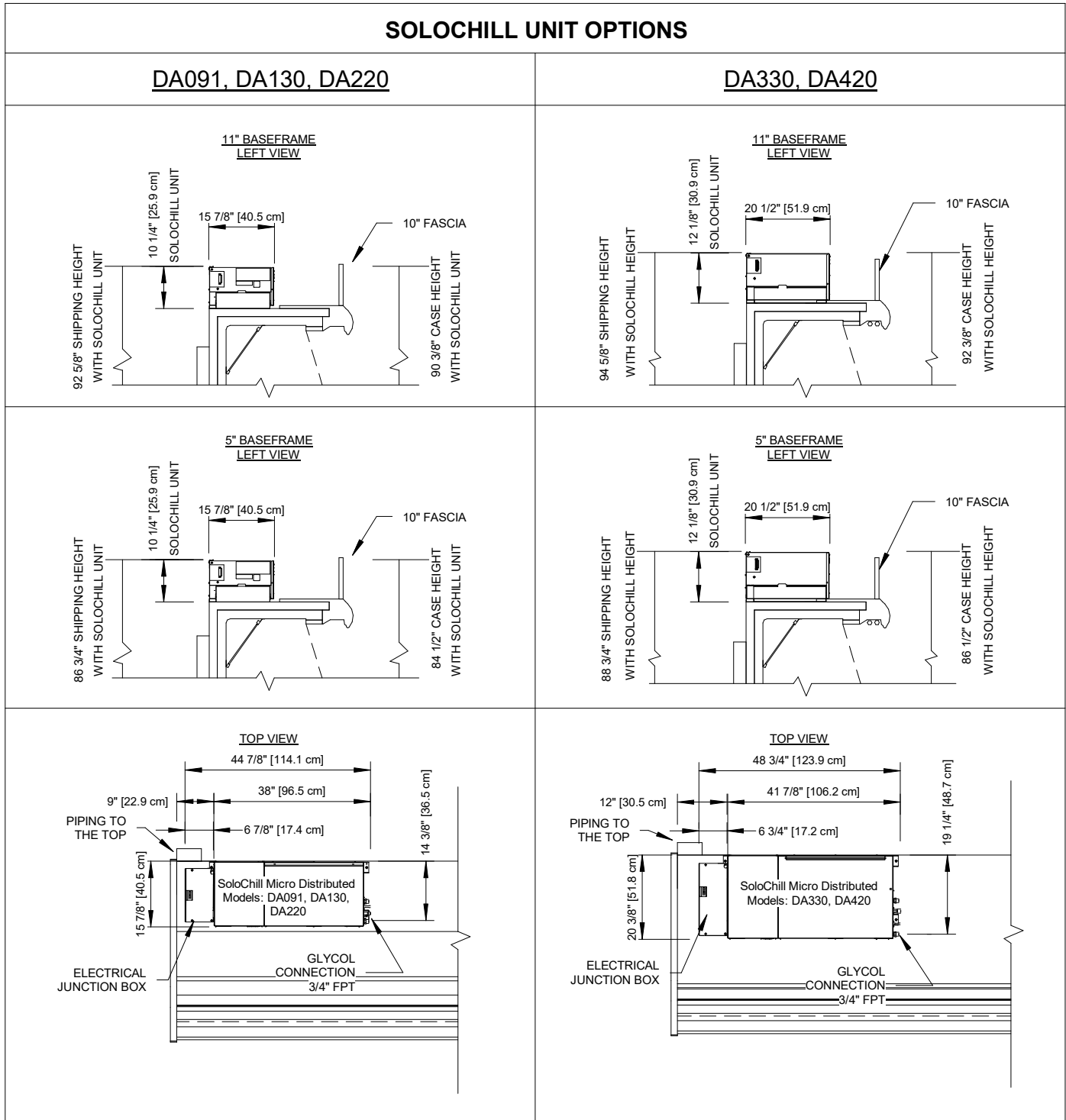
Hillphoenix
A DOVER COMPANY

OHPHQ-NRG

4', 6', 8' & 12' High Multi-Deck Merchandiser with Synerg-E™
Bulk Produce/Bakery/Dairy/Cut Produce



SOLOCHILL UNIT OPTIONS



OHPHQ-NRG

ALL MEASUREMENTS ARE TAKEN PER ASHRAE-72 SPECIFICATIONS. HILLPHOENIX REFRIGERATED DISPLAY CASES FOR SALE IN THE UNITED STATES MEET OR EXCEED DEPARTMENT OF ENERGY 2017 REQUIREMENTS.


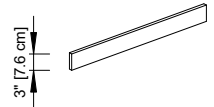
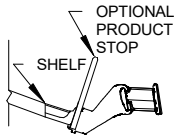

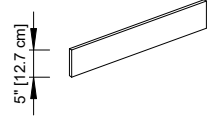



Rev. Date	Rev. #	Rev. Title
2-10-20	3	FASCIA UPDATE
9-17-19	2	SOLOCHILL V4



A DOVER COMPANY

OHPHQ-NRG

4', 6', 8' & 12' High Multi-Deck Merchandiser with Synerg-E™
Bulk Produce/Bakery/Dairy/Cut Produce

END STYLE OFFERINGS		SHELF TAG MOLDING OPTIONS	PRODUCT STOP OPTIONS <small>(ONLY APPLICABLE ON SLOTTED TM)</small>	SHELF EDGE ENERGY SAVINGS
Super	Solid	1.25" STD 	3" PLEXI PRODUCT STOPS 	ECO BLADE ANGLED SHELF 
		SLOTTED 	5" PLEXI PRODUCT STOPS 	
Full	Solid	ANGLED 	WIRE FENCE PRODUCT STOPS 	
		ANGLED SLOTTED 		
Reduced	SQ			

NOTES:

- Tag molding materials are PVC, aluminum, or painted aluminum.
- See Ecoblade tech sheet for additional information.



ALL MEASUREMENTS ARE TAKEN PER ASHRAE-72 SPECIFICATIONS. HILLPHOENIX REFRIGERATED DISPLAY CASES FOR SALE IN THE UNITED STATES MEET OR EXCEED DEPARTMENT OF ENERGY 2017 REQUIREMENTS.

OHPHQ-NRG

Rev. Date	Rev. #	Rev. Title
2-10-20	3	FASCIA UPDATE
9-17-19	2	SOLOCHILL V4

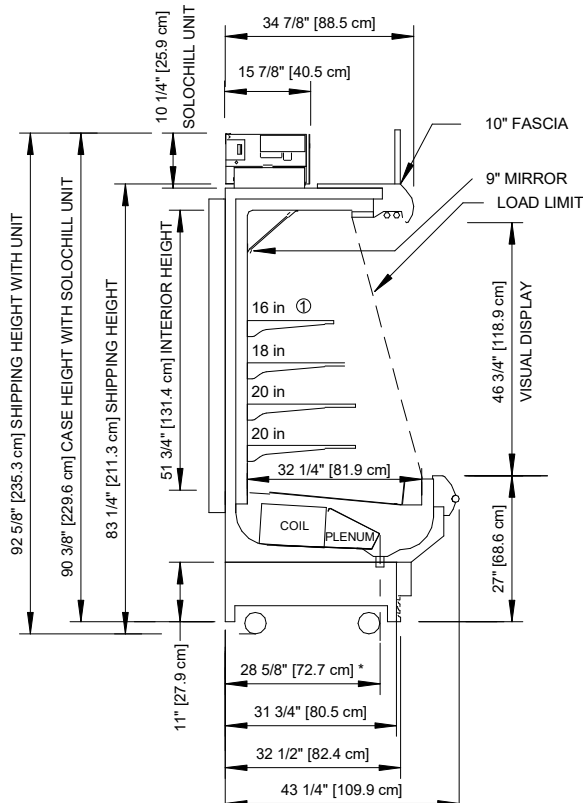


A DOVER COMPANY

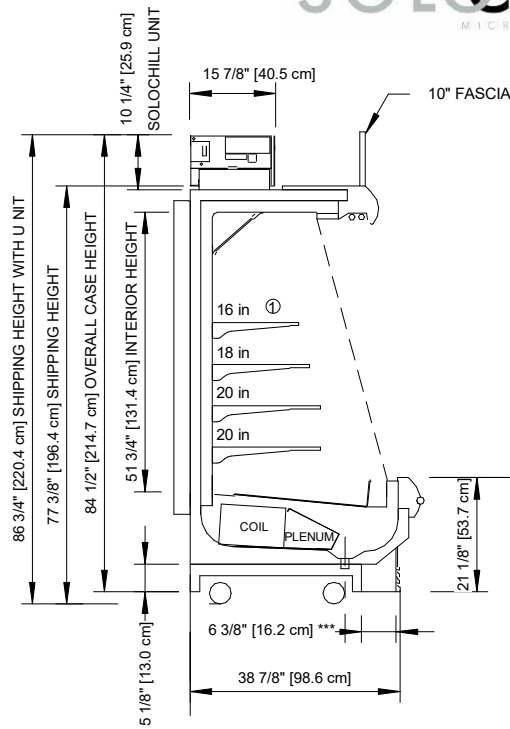
OHPHQ-NRG

4', 6', 8' & 12' High Multi-Deck Merchandiser with Synerg-E™
Bulk Produce/Bakery/Dairy/Cut Produce

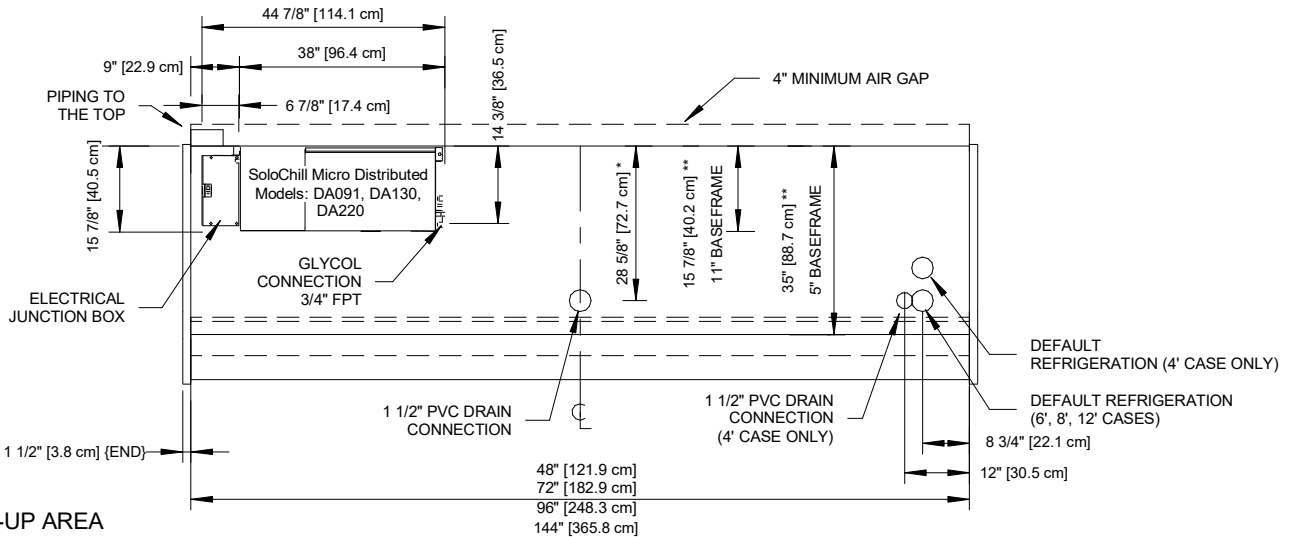
SOLOCHILL
MICRO-DISTRIBUTED



11" BASEFRAME



5" BASEFRAME



NOTES:

* :STUB-UP AREA

** :RECOMMENDED STUP-UP CENTERLINE FOR ELECTRICAL AND DRAINS

① :AVAILABLE SHELF SIZES: 16", 18", & 20" Articulating or 14", 16", 18", 20", 22" & 24" Standard;(5) ROWS OF SHELVES MAX.

- Ends add approximately 1" to case height, 1/2" to the back & 1" to the front.
- Back panels add approximately 1" to the rear of the case.



OHPHQ-NRG

ALL MEASUREMENTS ARE TAKEN PER ASHRAE-72 SPECIFICATIONS. HILLPHOENIX REFRIGERATED DISPLAY CASES FOR SALE IN THE UNITED STATES MEET OR EXCEED DEPARTMENT OF ENERGY 2017 REQUIREMENTS.

Rev. Date	Rev. #	Rev. Title
2-10-20	3	FASCIA UPDATE
9-17-19	2	SOLOCHILL V4

Hillphoenix
A DOVER COMPANY