

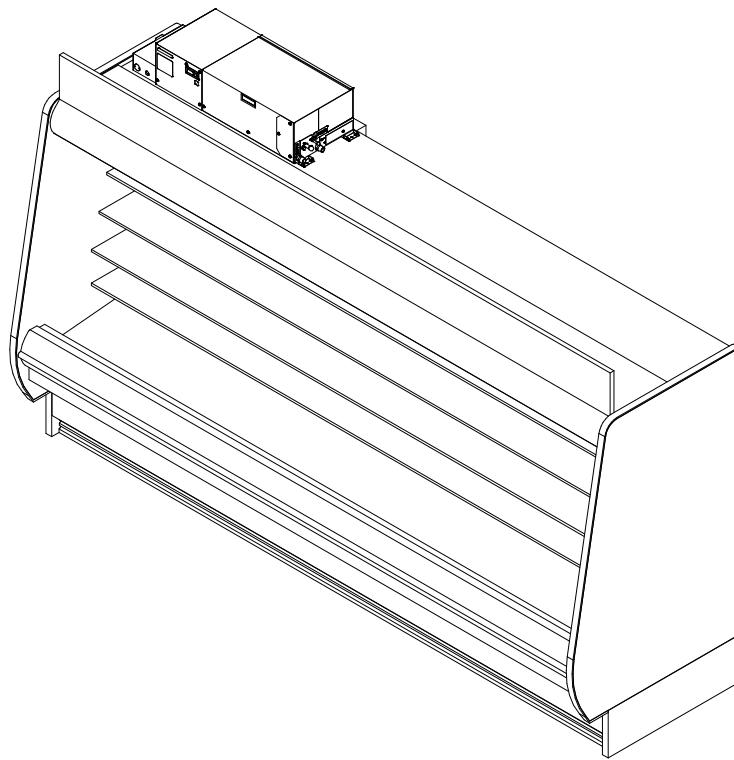
# OHPQA-NRG

4', 6', 8' & 12' Multi-Deck Merchandiser  
Bulk Produce / Bakery / Dairy / Cut Produce

**SOLOCHILL**  
MICRO-DISTRIBUTED

**GENERAL NOTES:**

- "---" indicates that the feature is not an option on this case model and/or the data is not available at this time.
- LED lights only.



SHIPPING WEIGHT	
Case	Weight
OHPQA-NRG	---



ALL MEASUREMENTS ARE TAKEN PER ASHRAE-72 SPECIFICATIONS. HILLPHOENIX REFRIGERATED DISPLAY CASES FOR SALE IN THE UNITED STATES MEET OR EXCEED DEPARTMENT OF ENERGY 2017 REQUIREMENTS.

**OHPQA-NRG**

Rev. Date	Rev. #	Rev. Title
10-20-20	4	SOLOCHILL V5
2-10-20	3	FASCIA UPDATE

**Hillphoenix**  
A DOVER COMPANY

# OHPQA-NRG

4', 6', 8' & 12' Multi-Deck Merchandiser  
Bulk Produce / Bakery / Dairy / Cut Produce



ELECTRICAL DATA			
Case Length	Fans Per Case	High Efficiency Fans 120 Volt	
		Amps	Watts
4'	1	0.23	0.18
6'	2	0.47	35.00
8'	3	0.70	53.00
12'	4	0.93	71.00

LIGHTING DATA						
Case Length	Lights per row	Lights Length	Clearvoyant v4 LED Lighting (Per Light Row)			
			Standard Power (Cornice or Shelf)		High Power (Cornice Only)	
			120 Volts		120 Volts	
			Amps	Watts	Amps	Watts
4'	1	4'	0.05	5.9	0.12	14.9
6'	2	3'	0.08	9.4	0.20	23.8
8'	2	4'	0.10	11.8	0.25	29.9
12'	3	4'	0.15	17.6	0.37	44.8

DEFROST CONTROLS		
Defrosts Per Day	Timed-Off Defrost	
	Fail-Safe (Min)	Termination Temp (°F)
6	40	47

**NOTES:**

- Ends shown are for general use only. Shape, size, and appearance are subject to change based on engineering configuration.
- Hatched regions represent glass inserts.
- Ends add approximately 1" to case height, 1/2" to the back & 1" to the front.
- Ends are available with either polymer end trim or metal end trim.



ALL MEASUREMENTS ARE TAKEN PER ASHRAE-72 SPECIFICATIONS. HILLPHOENIX REFRIGERATED DISPLAY CASES FOR SALE IN THE UNITED STATES MEET OR EXCEED DEPARTMENT OF ENERGY 2017 REQUIREMENTS.

**OHPQA-NRG**

Rev. Date	Rev. #	Rev. Title
10-20-20	4	SOLOCHILL V5
2-10-20	3	FASCIA UPDATE



A DOVER COMPANY

# OHPQA-NRG

4', 6', 8' & 12' Multi-Deck Merchandiser  
Bulk Produce / Bakery / Dairy / Cut Produce



SOLOCHILL DATA			@95° Condensing Temperature	
Volts	Phase	Frequency	Wire	
208	1	60	3 Wire + Ground	
Application	Case Length	Evaporator Temp (°F)	Discharge Air (°F)	Discharge Air Velocity (FPM)
Cut Produce	4'	30	36	150
Cut Produce	6'	30	36	150
Cut Produce	8'	30	36	150
Cut Produce	12'	30	36	150
Bulk Produce	4'	32	38	150
Bulk Produce	6'	32	38	150
Bulk Produce	8'	32	38	150
Bulk Produce	12'	32	38	150

Application	Case Length	R448A					
		Condensing Unit Model	MCA	MOP	Required Capacity	THR (BTUH)	Flow Rate
Cut Produce	4'	DA091	8.5	15	5196	6541	1.9
Cut Produce	6'	DA130	11.9	15	7794	9574	2.7
Cut Produce	8'	DA220	18.6	20	10392	12528	3.6
Cut Produce	12'	DA220	19.5	20	15588	18734	5.4
Bulk Produce	4'	DA091	8.5	15	4852	6486	1.9
Bulk Produce	6'	DA130	11.9	15	7278	9503	2.7
Bulk Produce	8'	DA220	18.6	20	9704	12446	3.6
Bulk Produce	12'	DA220	19.5	20	14556	17382	5.0



ALL MEASUREMENTS ARE TAKEN PER ASHRAE-72 SPECIFICATIONS. HILLPHOENIX REFRIGERATED DISPLAY CASES FOR SALE IN THE UNITED STATES MEET OR EXCEED DEPARTMENT OF ENERGY 2017 REQUIREMENTS.

## OHPQA-NRG

Rev. Date	Rev. #	Rev. Title
10-20-20	4	SOLOCHILL V5
2-10-20	3	FASCIA UPDATE



A DOVER COMPANY

CORNICHE OPTIONS	CURVED CORNICE	CURVED CORNICE WITH NIGHT COVER	FACETED CORNICE	FACETED CORNICE WITH NIGHT COVER	FLAT CORNICE	FLAT CORNICE WITH STANDARD NIGHT COVER	
	34 7/8" 	40 1/4" 	34 3/4" 	38" 	34" 	36 5/8" 	
FRONT OPTIONS	FLAT FRONT 2	STANDARD FRONT  28 1/8" [71.5 cm]	EXTENDED STANDARD FRONT  33 1/8" [84.0 cm]	6" THERMOPANE FRONT  33 3/8" [84.9 cm]	STANDARD FRONT  27" [68.7 cm]	EXTENDED STANDARD FRONT  30" [76.2 cm]	6" THERMOPANE FRONT  33 1/8" [84.1 cm]
	FLAT FRONT	STANDARD FRONT  27" [68.7 cm]	EXTENDED STANDARD FRONT  30" [76.2 cm]	6" THERMOPANE FRONT  33 1/8" [84.1 cm]	STANDARD FRONT  27" [68.7 cm]	EXTENDED STANDARD FRONT  30" [76.2 cm]	6" THERMOPANE FRONT  33 1/8" [84.2 cm]
	CLASSIC 2 METAL	STANDARD FRONT  27" [68.7 cm]	EXTENDED STANDARD FRONT  30" [76.2 cm]	6" THERMOPANE FRONT  33 1/8" [84.2 cm]	STANDARD FRONT  27" [68.7 cm]	EXTENDED STANDARD FRONT  30" [76.2 cm]	6" THERMOPANE FRONT  33 1/8" [84.2 cm]
	CLASSIC 2 POLYMER	STANDARD FRONT  27" [68.7 cm]	EXTENDED STANDARD FRONT  30" [76.2 cm]	6" THERMOPANE FRONT  33 1/8" [84.2 cm]	STANDARD FRONT  27" [68.7 cm]	EXTENDED STANDARD FRONT  30" [76.2 cm]	6" THERMOPANE FRONT  33 1/8" [84.2 cm]
	ORIGIN 2	STANDARD FRONT  27" [68.7 cm]	EXTENDED STANDARD FRONT  30" [76.2 cm]	6" THERMOPANE FRONT  33 1/8" [84.2 cm]	STANDARD FRONT  27" [68.7 cm]	EXTENDED STANDARD FRONT  30" [76.2 cm]	6" THERMOPANE FRONT  33 1/8" [84.2 cm]

**NOTES:**

- Front sill height and overall case height varies with base frame height.



COMPONENT

ALL MEASUREMENTS ARE TAKEN PER ASHRAE-72 SPECIFICATIONS. HILLPHOENIX REFRIGERATED DISPLAY CASES FOR SALE IN THE UNITED STATES MEET OR EXCEED DEPARTMENT OF ENERGY 2017 REQUIREMENTS.


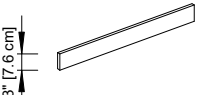
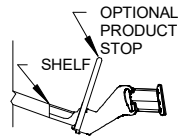

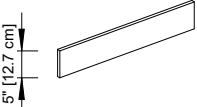



**OHPQA-NRG**

Rev. Date	Rev. #	Rev. Title
10-20-20	4	SOLOCHILL V5
2-10-20	3	FASCIA UPDATE

# OHPQA-NRG

4', 6', 8' & 12' Multi-Deck Merchandiser  
Bulk Produce / Bakery / Dairy / Cut Produce

**SOLOCHILL**  
MICRO-DISTRIBUTED

END STYLE OFFERINGS		SHELF TAG MOLDING OPTIONS	PRODUCT STOP OPTIONS <small>(ONLY APPLICABLE ON SLOTTED TM)</small>	SHELF EDGE ENERGY SAVINGS
Super	Solid	<u>1.25" STD</u>  	<u>3" PLEXI PRODUCT STOPS</u>  	<u>ECO BLADE ANGLED SHELF</u>  
		<u>SLOTTED</u>  	<u>5" PLEXI PRODUCT STOPS</u>  	
Full	Solid	<u>ANGLED</u>  	<u>WIRE FENCE PRODUCT STOPS</u>  	
		<u>ANGLED SLOTTED</u>  		
Reduced	SQ			

**NOTES:**

- Tag molding materials are PVC, aluminum, or painted aluminum.
- See Ecoblade tech sheet for additional information.

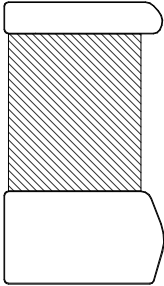
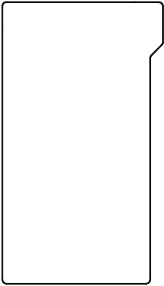
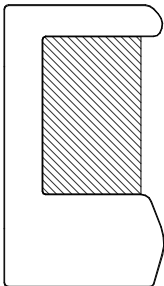
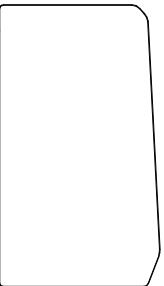
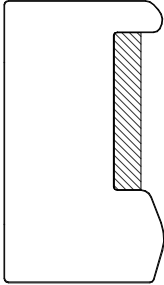
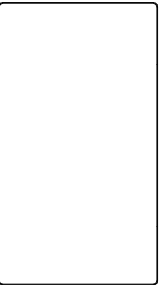


ALL MEASUREMENTS ARE TAKEN PER ASHRAE-72 SPECIFICATIONS. HILLPHOENIX REFRIGERATED DISPLAY CASES FOR SALE IN THE UNITED STATES MEET OR EXCEED DEPARTMENT OF ENERGY 2017 REQUIREMENTS.

**OHPQA-NRG**

Rev. Date	Rev. #	Rev. Title
10-20-20	4	SOLOCHILL V5
2-10-20	3	FASCIA UPDATE

**Hillphoenix**  
A DOVER COMPANY

END STYLE OFFERINGS	
<p><u>SUPER VIEW</u></p> 	<p><u>SOLID (EXTENDED CANOPY)</u></p> 
<p><u>FULL VIEW</u></p> 	<p><u>SOLID (STANDARD CANOPY)</u></p> 
<p><u>REDUCED VIEW</u></p> 	<p><u>SQUARE</u></p> 

**NOTES:**

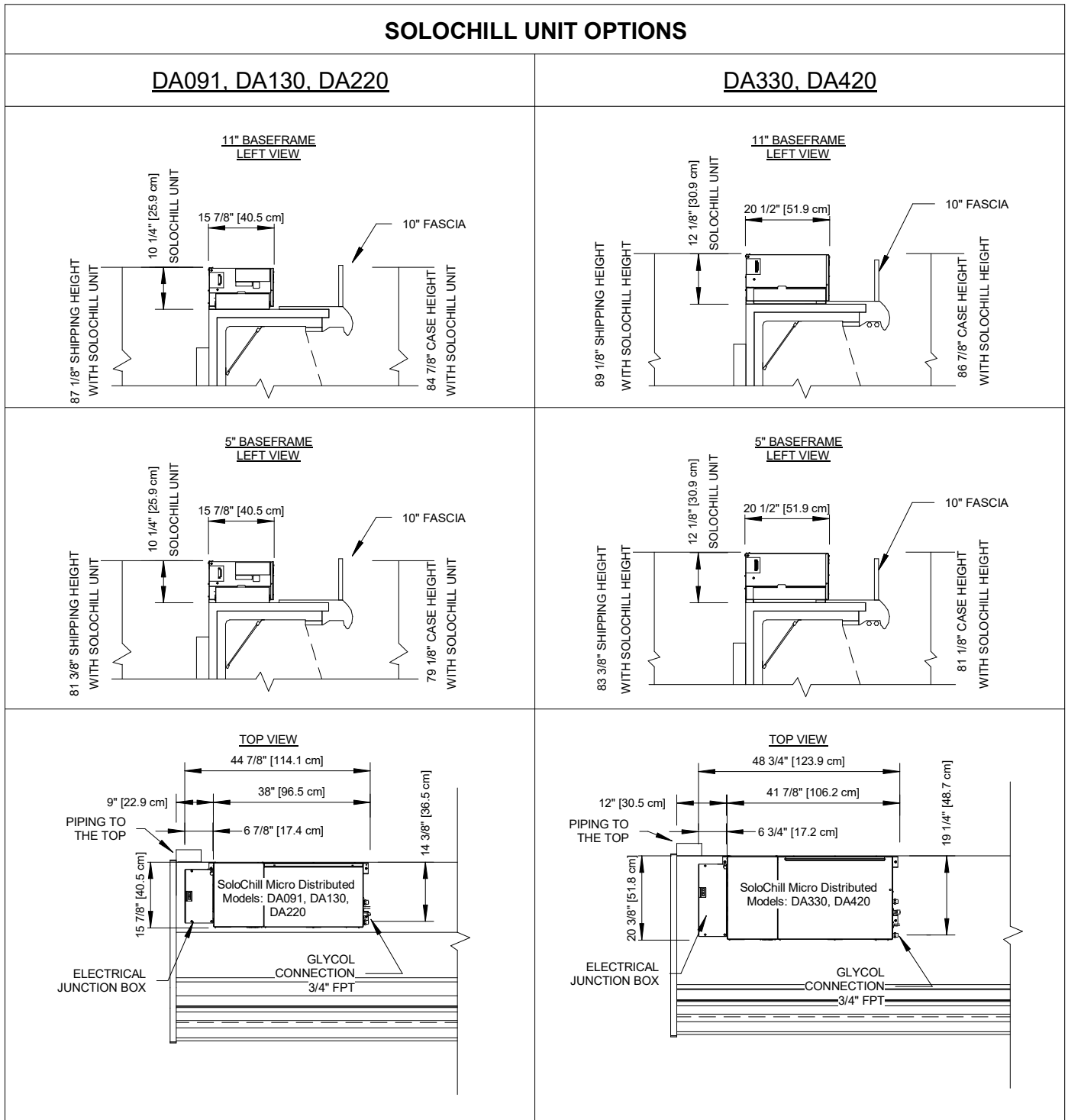
- Ends shown are for general use only. Shape, size, and appearance are subject to change based on engineering configuration.
- Hatched regions represent glass inserts.
- Ends add approximately 1" to case height, 1/2" to the back & 1" to the front.
- Ends are available with either polymer end trim or metal end trim.



ALL MEASUREMENTS ARE TAKEN PER ASHRAE-72 SPECIFICATIONS. HILLPHOENIX REFRIGERATED DISPLAY CASES FOR SALE IN THE UNITED STATES MEET OR EXCEED DEPARTMENT OF ENERGY 2017 REQUIREMENTS.

**OHPQA-NRG**

Rev. Date	Rev. #	Rev. Title
10-20-20	4	SOLOCHILL V5
2-10-20	3	FASCIA UPDATE



ALL MEASUREMENTS ARE TAKEN PER ASHRAE-72 SPECIFICATIONS. HILLPHOENIX REFRIGERATED DISPLAY CASES FOR SALE IN THE UNITED STATES MEET OR EXCEED DEPARTMENT OF ENERGY 2017 REQUIREMENTS.

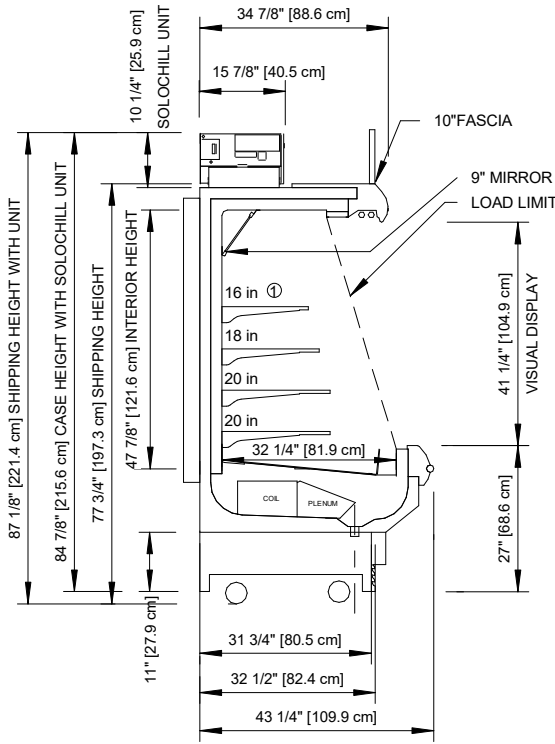
## OHPQA-NRG

Rev. Date	Rev. #	Rev. Title
10-20-20	4	SOLOCHILL V5
2-10-20	3	FASCIA UPDATE

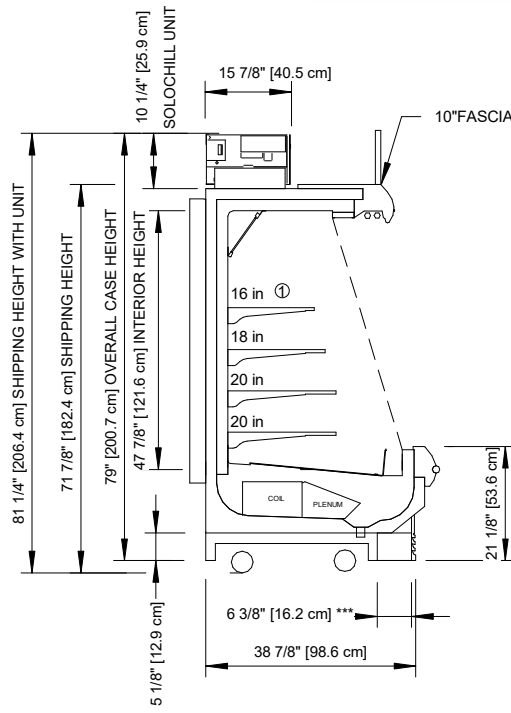
# OHPQA-NRG

4', 6', 8' & 12' Multi-Deck Merchandiser  
Bulk Produce / Bakery / Dairy / Cut Produce

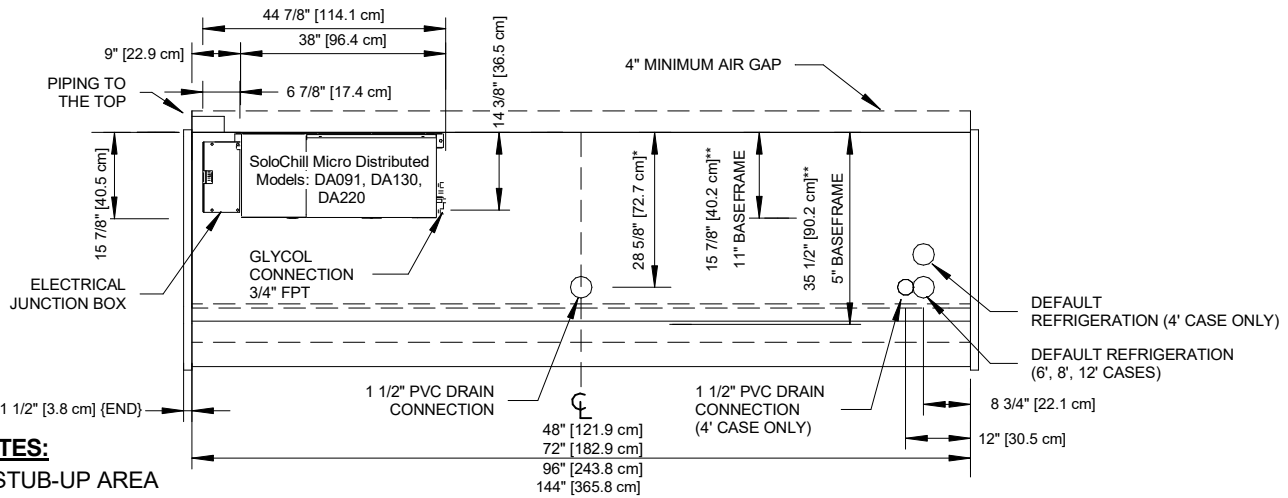
**SOLOCHILL**  
MICRO-DISTRIBUTED



**11" BASEFRAME**



**5" BASEFRAME**



**NOTES:**

\* :STUB-UP AREA

\*\* :RECOMMENDED STUB-UP CENTERLINE FOR ELECTRICAL AND DRAINS

① :AVAILABLE SHELF SIZES: 16", 18", & 20" Articulating or 14", 16", 18", 20", 22" & 24" Standard;(5) ROWS OF SHELVES MAX

② (4) ROWS OF SHELVES MAX

- Ends add approximately 1" to case height, 1/2" to the back & 1" to the front.
- Back panels add approximately 1" to the rear of the case.



**OHPQA-NRG**

ALL MEASUREMENTS ARE TAKEN PER ASHRAE-72 SPECIFICATIONS. HILLPHOENIX REFRIGERATED DISPLAY CASES FOR SALE IN THE UNITED STATES MEET OR EXCEED DEPARTMENT OF ENERGY 2017 REQUIREMENTS.

Rev. Date	Rev. #	Rev. Title
10-20-20	4	SOLOCHILL V5
2-10-20	3	FASCIA UPDATE

**Hillphoenix**  
A DOVER COMPANY