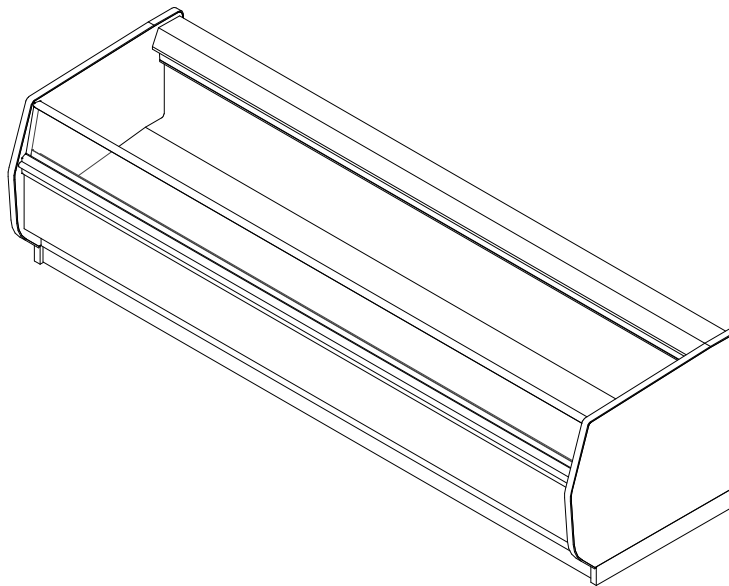


# OMM-NRG

Single-Deck Merchandiser  
4', 6', 8' & 12' (Deli / Meat / Seafood)

**GENERAL NOTES:**

- " --- " indicates that the feature is not an option with this case model and/or that the data is not available at this time.



SHIPPING WEIGHT	
Case	Weight
OMM-NRG	---



ALL MEASUREMENTS ARE TAKEN PER ASHRAE-72-2005 SPECIFICATIONS. HILLPHOENIX REFRIGERATED DISPLAY CASES FOR SALE IN THE UNITED STATES MEET OR EXCEED DEPARTMENT OF ENERGY 2017 REQUIREMENTS.

## OMM-NRG

Rev. Date	Rev. #	Rev. Title
12-12-19	6	DATA UPDATE
11-8-19	5	ENDVIEW UPDATE



# OMM-NRG

Single-Deck Merchandiser  
4', 6', 8' & 12' (Deli / Meat / Seafood)

ELECTRICAL DATA									
Case Length	Fans Per Case	High Efficiency Fans		Anti Condensate Heaters		Defrost Heaters			
		Open Case		Open Case		208 Volts		240 Volts	
		120 Volt		120 Volts		Amps	Watts	Amps	Watts
		Amps	Watts	Amps	Watts				
4'	2	0.72	45.7	0.31	36.77	1.92	400	2.22	532
6'	3	1.07	68.5	0.46	54.57	2.88	600	3.33	798
8'	3	1.07	68.5	0.62	73.59	3.85	800	4.44	1065
12'	4	1.43	91.3	0.93	110.32	5.77	1200	6.67	1600

GUIDELINES AND CONTROL DATA							
Front Sill Height	Case Type	BTUH/ft		Superheat Set Point @ Bulb (°F)	Evaporator (°F)	Discharge Air (°F)	Discharge Air Velocity (FPM)
		Conventional	Parallel				
39" Standard	Open	840	800	6 - 8	17	25	300

DEFROST CONTROLS								
Defrosts Per Day	Electric Defrost			Timed-Off Defrost		Hot Gas Defrost		
	Fail-Safe (Min)	Termination Temp (°F)	Drip Time (Min)	Fail-Safe (Min)	Termination Temp (°F)	Fail Safe (Min)	Termination Temp (°F)	Drip Time (Min)
4	30	44	0	45	45	15	70	8

**NOTES:**

- " --- " indicates that the feature is not an option with this case model and/or that the data is not available at this time.
- Listed anti-condensate heater data represent an unlighted rear sill. For a lighted rear sill, the values must be doubled.
- Listed discharge air velocity represents the average velocity immediately after defrost.
- Temperature and defrost settings listed above are recommended start-up settings. Final operational settings may need to be adjusted for the store conditions in which the case operates.
- The recommended evaporator temperatures may need to be adjusted based on system setup, store conditions, etc. The minimum recommended evaporator temperature is 4°F below the listed evaporator temperature.
- The temperature sensor used for hot gas defrost must be attached on the dump line and well insulated.

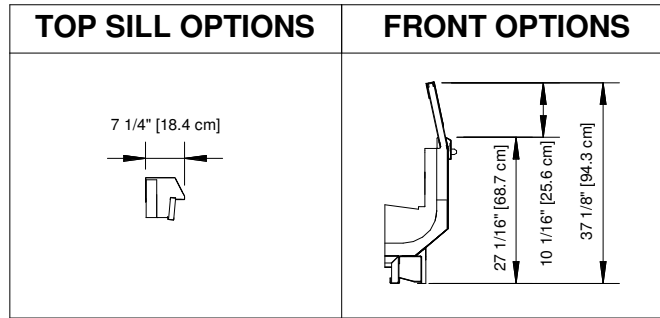


ALL MEASUREMENTS ARE TAKEN PER ASHRAE-72-2005 SPECIFICATIONS. HILLPHOENIX REFRIGERATED DISPLAY CASES FOR SALE IN THE UNITED STATES MEET OR EXCEED DEPARTMENT OF ENERGY 2017 REQUIREMENTS.

**OMM-NRG**

Rev. Date	Rev. #	Rev. Title
12-12-19	6	DATA UPDATE
11-8-19	5	ENDVIEW UPDATE





**NOTES:**

- Extended front sills are required for meat applications to maintain proper product temperature. An extended front has a minimum height of 24" on a 5" baseframe, or 30" on an 11" baseframe.

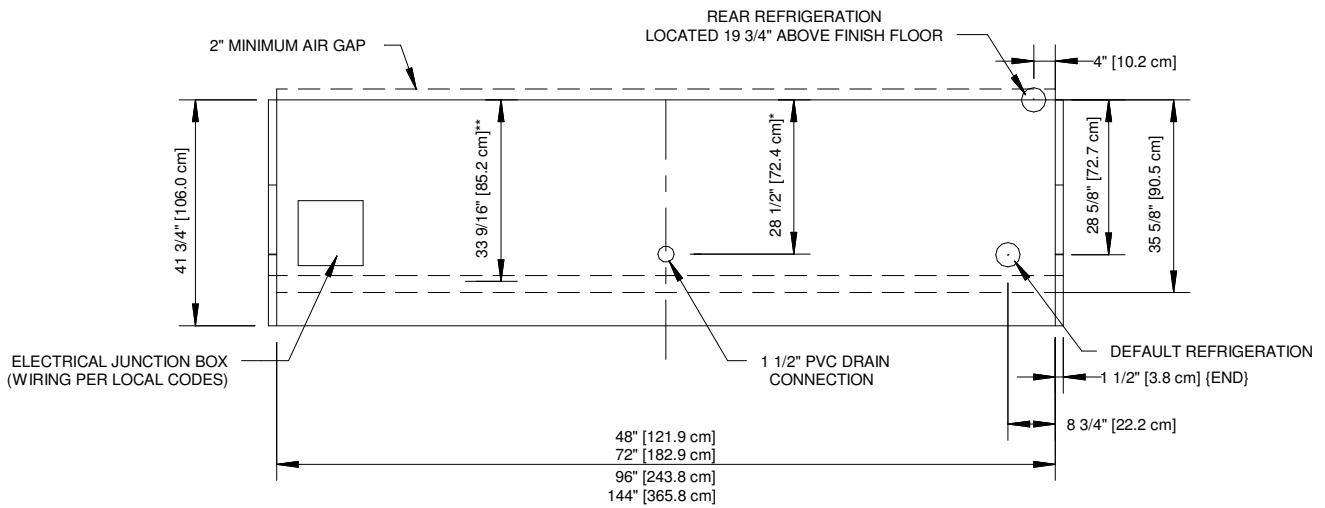
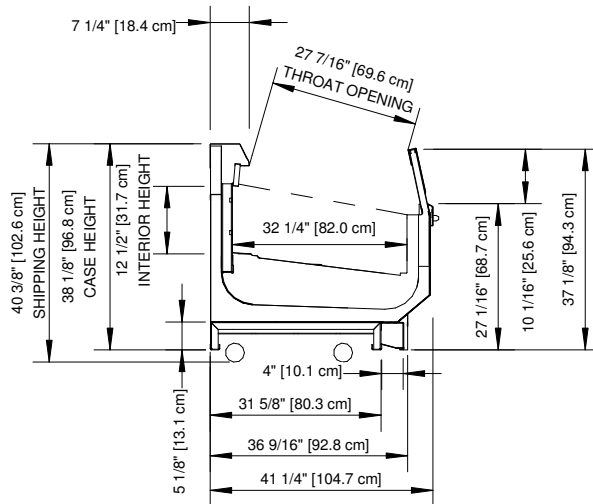


ALL MEASUREMENTS ARE TAKEN PER ASHRAE-72-2005 SPECIFICATIONS. HILLPHOENIX REFRIGERATED DISPLAY CASES FOR SALE IN THE UNITED STATES MEET OR EXCEED DEPARTMENT OF ENERGY 2017 REQUIREMENTS.

## OMM-NRG

Rev. Date	Rev. #	Rev. Title
12-12-19	6	DATA UPDATE
11-8-19	5	ENDVIEW UPDATE





**NOTES:**

- \* : STUB-UP AREA
- \*\* : RECOMMENDED STUB-UP CENTERLINE FOR ELECTRICAL AND HUB DRAINS

• Ends add approximately 1" to case height.



ALL MEASUREMENTS ARE TAKEN PER ASHRAE-72-2005 SPECIFICATIONS. HILLPHOENIX REFRIGERATED DISPLAY CASES FOR SALE IN THE UNITED STATES MEET OR EXCEED DEPARTMENT OF ENERGY 2017 REQUIREMENTS.

**OMM-NRG**

Rev. Date	Rev. #	Rev. Title
12-12-19	6	DATA UPDATE
11-8-19	5	ENDVIEW UPDATE

