

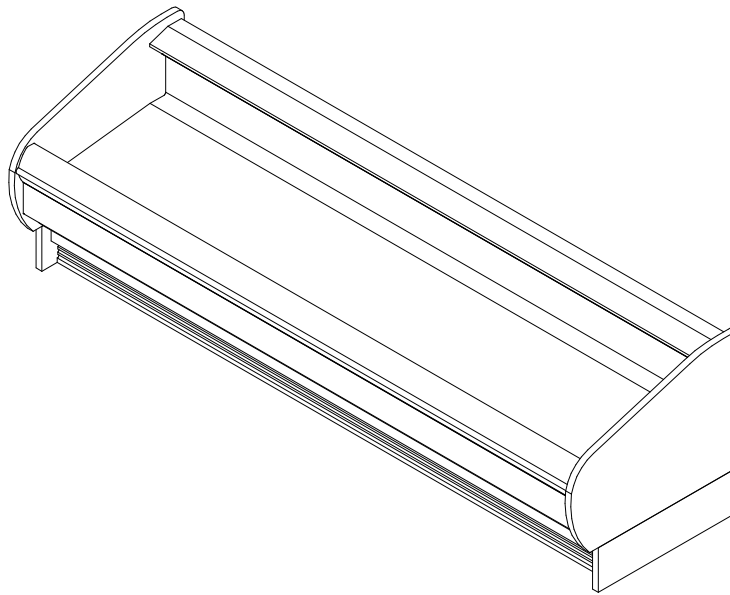
OMQA-NRG

8' & 12' Single-Deck Merchandiser
Deli / Meat / Seafood

SOLOCHILL
MICRO-DISTRIBUTED

GENERAL NOTES:

- " --- " indicates that the feature is not an option with this case model and/or that the data is not available at this time.



SHIPPING WEIGHT	
Case	Weight
OMQA-NRG	---



ALL MEASUREMENTS ARE TAKEN PER ASHRAE-72-2005 SPECIFICATIONS. HILLPHOENIX REFRIGERATED DISPLAY CASES FOR SALE IN THE UNITED STATES MEET OR EXCEED DEPARTMENT OF ENERGY 2017 REQUIREMENTS.

OMQA-NRG

Rev. Date	Rev. #	Rev. Title
9-30-20	3	SOLOCHILL V5
12-2-19	2	DATA UPDATE

Hillphoenix
A DOVER COMPANY

OMQA-NRG

8' & 12' Single-Deck Merchandiser
Deli / Meat / Seafood



ELECTRICAL DATA					
Case Length	Fans Per Case	High Efficiency Fans		Anti Condensate Heaters	
		Open Case		120 Volts	
		120 Volt		Amps	Watts
		Amps	Watts		
8'	2	0.32	21.0	0.20	15.0
12'	3	0.48	32.0	0.30	23.0

LIGHTING DATA						
Case Length	Lights per row	Light Length	Clearvoyant v4 LED Lighting (Per Light Row)			
			Standard Power (Cornice or Shelf)		High Power (Cornice Only)	
			120 Volts		120 Volts	
			Amps	Watts	Amps	Watts
8'	2	4'	0.20	23.8	0.36	43.0
12'	3	4'	0.30	35.7	0.54	64.5

DEFROST CONTROLS				
Case Type	Defrosts Per Day	Run Off Time (Min)	Timed-Off Defrost	
			Fail-Safe (Min)	Termination Temp (°F)
Open	4	6 - 8	60	47

NOTES:

- Listed anti-condensate heater data represent an unlighted rear sill. For a lighted rear sill, the values must be doubled.
- Listed discharge air velocity represents the average velocity immediately after defrost.
- The recommended evaporator temperatures may need to be adjusted based on system setup, store conditions, etc. The minimum recommended evaporator temperature is 4°F below the listed evaporator temperature.



ALL MEASUREMENTS ARE TAKEN PER ASHRAE-72-2005 SPECIFICATIONS. HILLPHOENIX REFRIGERATED DISPLAY CASES FOR SALE IN THE UNITED STATES MEET OR EXCEED DEPARTMENT OF ENERGY 2017 REQUIREMENTS.

OMQA-NRG

Rev. Date	Rev. #	Rev. Title
9-30-20	3	SOLOCHILL V5
12-2-19	2	DATA UPDATE



A DOVER COMPANY

OMQA-NRG

8' & 12' Single-Deck Merchandiser
Deli / Meat / Seafood



SOLOCHILL DATA			@95° Condensing Temperature		
Volts	Phase	Frequency	Wire		
208	1	60	3 Wire + Ground		
Application	Case Length	Evaporator Temp (°F)	Discharge Air (°F)	Discharge Air Velocity (FPM)	
DELI	8'	22	26	305	
DELI	12'	22	26	305	
MEAT	8'	22	26	305	
MEAT	12'	22	26	305	

Application	Case Length	R448A					
		Condensing Unit Model	MCA	MOP	Required Capacity	THR (BTUH)	Flow Rate
DELI	8'	DA091	8.6	15	3576	5442	1.6
DELI	12'	DA130	11.8	15	5364	7938	2.3
MEAT	8'	DA091	8.6	15	4168	5442	1.6
MEAT	12'	DA130	11.8	15	6252	7938	2.3

NOTES:

* SoloChill CDU is remote mount only.



ALL MEASUREMENTS ARE TAKEN PER ASHRAE-72-2005 SPECIFICATIONS. HILLPHOENIX REFRIGERATED DISPLAY CASES FOR SALE IN THE UNITED STATES MEET OR EXCEED DEPARTMENT OF ENERGY 2017 REQUIREMENTS.

OMQA-NRG

Rev. Date	Rev. #	Rev. Title
9-30-20	3	SOLOCHILL V5
12-2-19	2	DATA UPDATE



A DOVER COMPANY

NOTES:

- Extended front sills are required for meat applications to maintain proper product temperature. An extended front has a minimum height of 24" on a 5" baseframe, or 30" on an 11" baseframe.

REAR SILL OPTIONS	FRONT OPTIONS					
	ORIGIN 2 FRONT				FLAT FRONT FLAT TOP	
STANDARD REAR SILL 8 9/16" [21.7 cm] 	<u>STANDARD FRONT</u> 27 1/16" [68.7 cm]	<u>STANDARD FRONT</u> 21 3/16" [53.8 cm]	<u>STANDARD FRONT</u> 27 1/16" [68.7 cm]	<u>STANDARD FRONT</u> 21 3/16" [53.8 cm]	<u>STANDARD FRONT</u> 27 1/16" [68.7 cm]	<u>STANDARD FRONT</u> 21 3/16" [53.8 cm]
12 1/2" REAR SILL 12 7/16" [31.7 cm] 	<u>6" THERMOPANE FRONT</u> 33 1/8" [84.2 cm]	<u>6" THERMOPANE FRONT</u> 27 1/4" [69.3 cm]	<u>6" THERMOPANE FRONT</u> 33 1/8" [84.2 cm]	<u>6" THERMOPANE FRONT</u> 27 1/4" [69.3 cm]	<u>6" THERMOPANE FRONT</u> 33 1/8" [84.1 cm]	<u>6" THERMOPANE FRONT</u> 27 1/4" [69.1 cm]
16" REAR SILL (REAR DISCHARGE) 16 1/16" [40.7 cm] 	<u>6" PLEXIGLAS FRONT</u> 32 15/16" [83.7 cm]	<u>6" PLEXIGLAS FRONT</u> 27 1/8" [68.8 cm]	<u>6" PLEXIGLAS FRONT</u> 33" [83.8 cm]	<u>6" PLEXIGLAS FRONT</u> 27 1/16" [68.8 cm]	<u>6" PLEXIGLAS FRONT</u> 32 15/16" [83.7 cm]	<u>6" PLEXIGLAS FRONT</u> 27 1/16" [68.8 cm]
CORNICE OPTIONS	FLAT FRONT ANGLED TOP					
<u>CURVED CORNICE</u> 37" 	<u>EXTENDED STANDARD FRONT</u> 30" [76.2 cm]	<u>EXTENDED STANDARD FRONT</u> 24 3/16" [61.4 cm]	<u>EXTENDED STANDARD FRONT</u> 30" [76.2 cm]	<u>EXTENDED STANDARD FRONT</u> 24 1/8" [61.3 cm]	<u>EXTENDED STANDARD FRONT</u> 30" [76.2 cm]	<u>EXTENDED STANDARD FRONT</u> 24 1/8" [61.3 cm]
<u>CURVED CORNICE WITH NIGHT COVER</u> 40 1/4" 	<u>STANDARD FRONT</u> 28 1/8" [71.4 cm]	<u>STANDARD FRONT</u> 22 5/16" [56.7 cm]	<u>6" PLEXIGLAS FRONT</u> 32 7/16" [82.3 cm]	<u>6" PLEXIGLAS FRONT</u> 26 5/16" [66.9 cm]		
<u>FACETED CORNICE</u> 36 7/8" 	<u>6" THERMOPANE FRONT</u> 33 7/16" [84.9 cm]	<u>6" THERMOPANE FRONT</u> 27 3/8" [69.5 cm]	<u>EXTENDED STANDARD FRONT</u> 33" [83.8 cm]	<u>EXTENDED STANDARD FRONT</u> 27" [68.6 cm]		
<u>FACETED CORNICE WITH NIGHT COVER</u> 40 1/8" 						
<u>FLAT CORNICE</u> 36 1/8" 						
<u>FLAT CORNICE WITH STANDARD NIGHT COVER</u> 38 3/4" 						



ALL MEASUREMENTS ARE TAKEN PER ASHRAE-72-2005 SPECIFICATIONS. HILLPHOENIX REFRIGERATED DISPLAY CASES FOR SALE IN THE UNITED STATES MEET OR EXCEED DEPARTMENT OF ENERGY 2017 REQUIREMENTS.

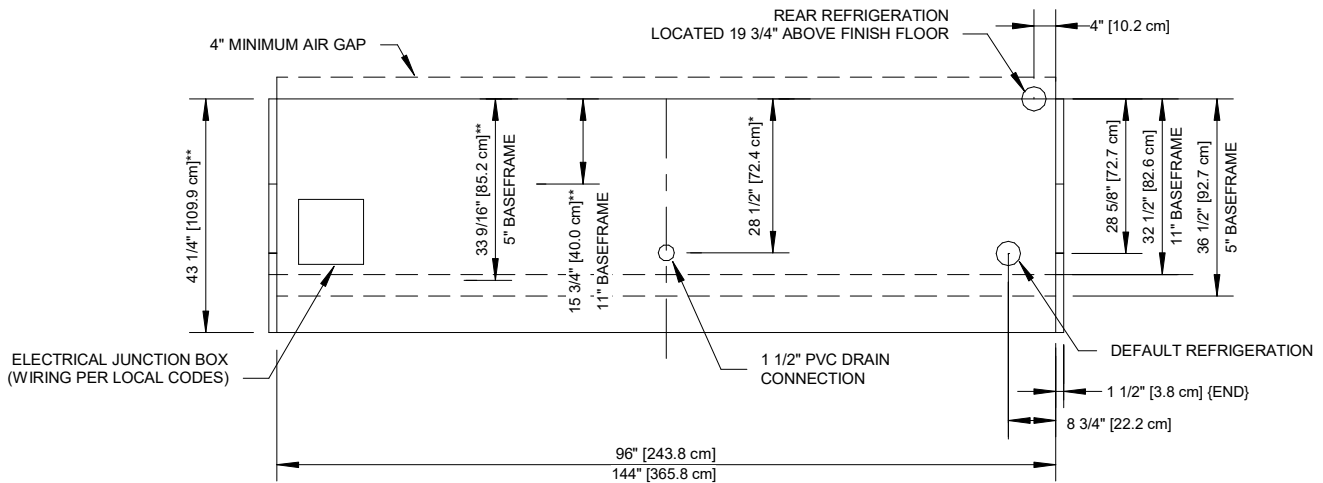
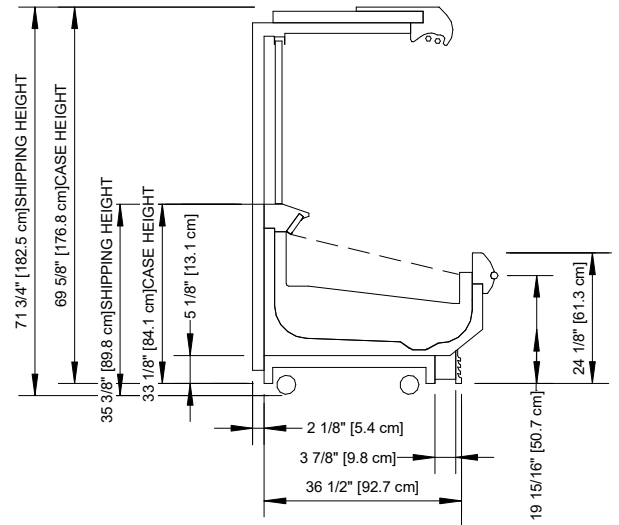
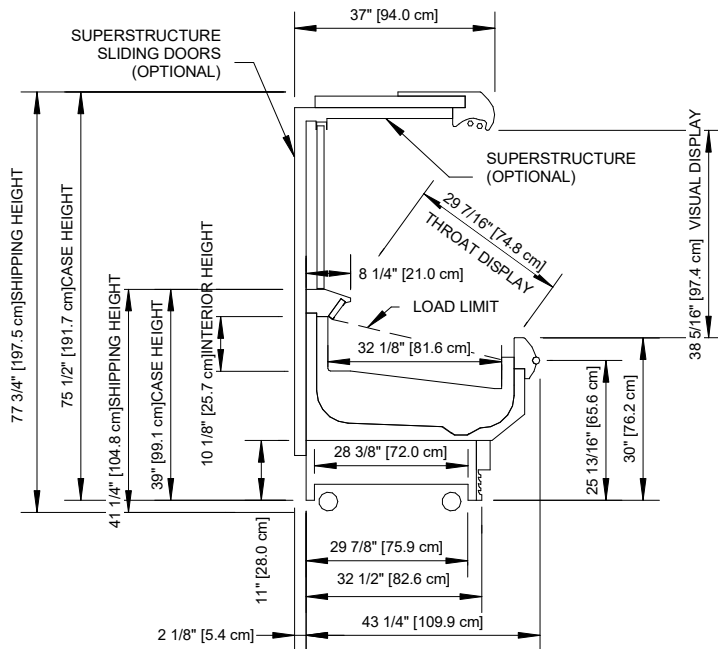
OMQA-NRG

Rev. Date	Rev. #	Rev. Title
9-30-20	3	SOLOCHILL V5
12-2-19	2	DATA UPDATE

OMQA-NRG

8' & 12' Single-Deck Merchandiser
Deli / Meat / Seafood

SOLOCHILL
MICRO-DISTRIBUTED



NOTES:

- * : STUB-UP AREA
- ** : RECOMMENDED STUB-UP CENTERLINE FOR ELECTRICAL AND HUB DRAINS

- Ends add approximately 1" to case height.



ALL MEASUREMENTS ARE TAKEN PER ASHRAE-72-2005 SPECIFICATIONS. HILLPHOENIX REFRIGERATED DISPLAY CASES FOR SALE IN THE UNITED STATES MEET OR EXCEED DEPARTMENT OF ENERGY 2017 REQUIREMENTS.

OMQA-NRG

Rev. Date	Rev. #	Rev. Title
9-30-20	3	SOLOCHILL V5
12-2-19	2	DATA UPDATE

