

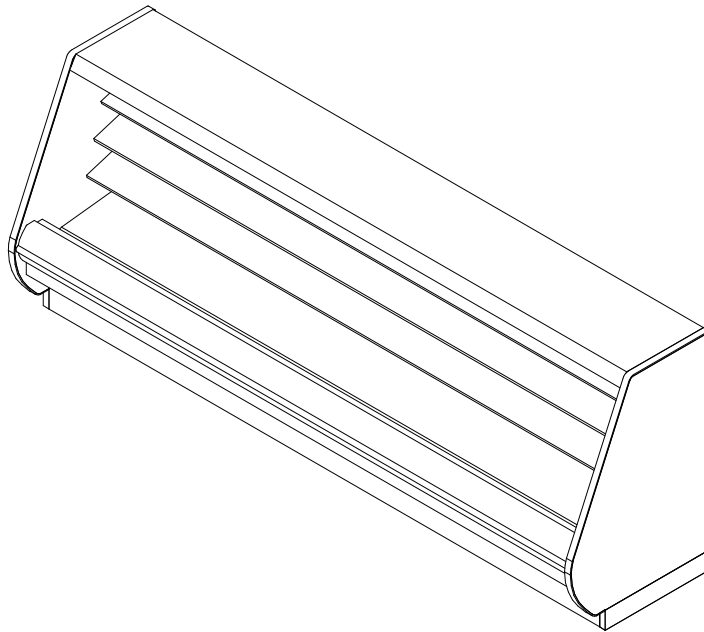
ON3.5UMQA-NRG

4', 6', 8', 12' Medium Temp Unitized Island Merchandiser
Dairy/Deli/Meat/Produce

SOLOCHILL
MICRO-DISTRIBUTED

GENERAL NOTES:

- "---" indicates that the feature is not an option for this case model and/or the data is not yet available.
- LED lights only.



SHIPPING WEIGHT	
Case	Weight
ON3.5UMQA-NRG	---



ALL MEASUREMENTS ARE TAKEN PER ASHRAE-72-2005 SPECIFICATIONS. HILLPHOENIX REFRIGERATED DISPLAY CASES FOR SALE IN THE UNITED STATES MEET OR EXCEED DEPARTMENT OF ENERGY 2017 REQUIREMENTS.

ON3.5UMQA-NRG

Rev. Date	Rev. #	Rev. Title
9-30-20	2	SOLOCHILL V6
9-19-19	1	SOLOCHILL V4

Hillphoenix
A DOVER COMPANY

ON3.5UMQA-NRG

4', 6', 8', 12' Medium Temp Unitized Island Merchandiser
Dairy/Deli/Meat/Produce



ELECTRICAL DATA			
Case Length	Fans Per Case	High Efficiency Fans	
		120 Volts	
		Amps	Watts
8'	2	0.40	28.0
12'	3	0.60	42.0

LIGHTING DATA						
Case Length	Lights per row	Lights Length	Clearvoyant LED Lighting (Per Light Row)			
			Standard Power (Cornice or Shelf)		High Power (Cornice)	
			120 Volts		120 Volts	
			Amps	Watts	Amps	Watts
8'	2	4'	0.10	11.8	0.25	29.9
12'	3	4'	0.15	17.6	0.37	44.8

DEFROST CONTROLS		
Defrosts Per Day	Timed-Off Defrost	
	Fail-Safe (Min)	Termination Temp (°F)
6	30	47

NOTES:

- "----" indicates that the feature is not an option for this case model and/or the data is not yet available.
- Listed BTUH/ft data represent unlighted shelves. For LED lighting, add 9 BTUH/ft per row of lighted shelving.
- BTUH load increases by 132 BTUH/ft when aftermarket merchandising accessories are utilized.
- Listed evaporator temperature represents unlighted shelves. For lighted shelves and/or aftermarket merchandising accessories, reduce the listed evaporator temperature by 2°F.
- Conventional Discharge Air Control – Recommended Settings: Cut-In Temp = Discharge Air + 2°F; Cut-Out Temp = Discharge Air - 2°F.
- Listed discharge air velocity represents the average velocity immediately after defrost.
- Temperature and defrost settings listed above are recommended start-up settings. Final operational settings may need to be adjusted for the store conditions in which the case operates.
- The recommended evaporator temperatures may need to be adjusted based on system setup, store conditions, etc. The minimum recommended evaporator temperature is 4°F below the listed evaporator temperature.



ALL MEASUREMENTS ARE TAKEN PER ASHRAE-72-2005 SPECIFICATIONS. HILLPHOENIX REFRIGERATED DISPLAY CASES FOR SALE IN THE UNITED STATES MEET OR EXCEED DEPARTMENT OF ENERGY 2017 REQUIREMENTS.

ON3.5UMQA-NRG

Rev. Date	Rev. #	Rev. Title
9-30-20	2	SOLOCHILL V6
9-19-19	1	SOLOCHILL V4



A DOVER COMPANY

ON3.5UMQA-NRG

4', 6', 8', 12' Medium Temp Unitized Island Merchandiser
Dairy/Deli/Meat/Produce



SOLOCHILL DATA			@95° Condensing Temperature		
Volts	Phase	Frequency	Wire		
208	1	60	3 Wire + Ground		
Application		Case Length	Evaporator Temp (°F)	Discharge Air (°F)	Discharge Air Velocity (FPM)
Deli/Dairy/Produce		8'	26	31	260
Deli/Dairy/Produce		12'	26	31	260
Meat		8'	24	30	260
Meat		12'	24	30	260

Application	Case Length	R448A					
		Condensing Unit Model	MCA	MOP	Required Capacity	THR (BTUH)	Flow Rate
Deli/Dairy/Produce	8'	DA130	11.9	15	6776	8460	2.4
Deli/Dairy/Produce	12'	DA220	18.9	20	10164	12425	3.6
Meat	8'	DA130	11.9	15	6696	8529	2.4
Meat	12'	DA220	18.9	20	10044	12513	3.6

NOTES:

* SoloChill CDU is remote mount only.



ALL MEASUREMENTS ARE TAKEN PER ASHRAE-72-2005 SPECIFICATIONS. HILLPHOENIX REFRIGERATED DISPLAY CASES FOR SALE IN THE UNITED STATES MEET OR EXCEED DEPARTMENT OF ENERGY 2017 REQUIREMENTS.

ON3.5UMQA-NRG

Rev. Date	Rev. #	Rev. Title
9-30-20	2	SOLOCHILL V6
9-19-19	1	SOLOCHILL V4



A DOVER COMPANY

ON3.5UMQA-NRG

4', 6', 8', 12' Medium Temp Unitized Island Merchandiser
Dairy/Deli/Meat/Produce



NOTES:

- Front and rear sill heights vary with base frame height.
- Extended front sills are required on meat applications to maintain proper product temperature. An extended front has a minimum height of 24" on a 5" baseframe, or 30" on an 11" baseframe.

REAR SILL OPTIONS	FRONT OPTIONS					
	ORIGIN 2 FRONT				FLAT FRONT FLAT TOP	
<p>16" REAR SILL (FRONT DISCHARGE)</p> <p>16" [40.7 cm]</p>	<p>STANDARD FRONT</p> <p>27 1/16" [68.7 cm]</p>	<p>STANDARD FRONT</p> <p>21 3/16" [53.8 cm]</p>	<p>STANDARD FRONT</p> <p>27 1/16" [68.7 cm]</p>	<p>STANDARD FRONT</p> <p>21 3/16" [53.8 cm]</p>	<p>STANDARD FRONT</p> <p>27 1/16" [68.7 cm]</p>	<p>STANDARD FRONT</p> <p>21 3/16" [53.8 cm]</p>
	<p>6" THERMOPANE FRONT</p> <p>33 1/8" [84.2 cm]</p>	<p>6" THERMOPANE FRONT</p> <p>27 1/4" [69.3 cm]</p>	<p>6" THERMOPANE FRONT</p> <p>33 1/8" [84.2 cm]</p>	<p>6" THERMOPANE FRONT</p> <p>27 1/4" [69.3 cm]</p>	<p>6" THERMOPANE FRONT</p> <p>33 1/8" [84.1 cm]</p>	<p>6" THERMOPANE FRONT</p> <p>27 1/4" [69.1 cm]</p>
	<p>6" PLEXIGLAS FRONT</p> <p>32 15/16" [83.7 cm]</p>	<p>6" PLEXIGLAS FRONT</p> <p>27 7/8" [68.8 cm]</p>	<p>6" PLEXIGLAS FRONT</p> <p>33" [83.8 cm]</p>	<p>6" PLEXIGLAS FRONT</p> <p>27 1/16" [68.8 cm]</p>	<p>6" PLEXIGLAS FRONT</p> <p>32 15/16" [83.7 cm]</p>	<p>6" PLEXIGLAS FRONT</p> <p>27 1/16" [68.8 cm]</p>
<p>18" REAR SILL (FRONT DISCHARGE)</p> <p>18" [45.8 cm]</p>	<p>EXTENDED STANDARD FRONT</p> <p>30" [76.2 cm]</p>	<p>EXTENDED STANDARD FRONT</p> <p>24 3/16" [61.4 cm]</p>	<p>EXTENDED STANDARD FRONT</p> <p>30" [76.2 cm]</p>	<p>EXTENDED STANDARD FRONT</p> <p>24 1/8" [61.3 cm]</p>	<p>EXTENDED STANDARD FRONT</p> <p>30" [76.2 cm]</p>	<p>EXTENDED STANDARD FRONT</p> <p>24 1/8" [61.3 cm]</p>
	<p>20" REAR SILL (FRONT DISCHARGE)</p> <p>20 1/8" [51.0 cm]</p>	<p>STANDARD FRONT</p> <p>28 1/8" [71.4 cm]</p>	<p>STANDARD FRONT</p> <p>22 5/16" [56.7 cm]</p>	<p>6" PLEXIGLAS FRONT</p> <p>32 7/16" [82.3 cm]</p>	<p>6" PLEXIGLAS FRONT</p> <p>26 5/16" [66.9 cm]</p>	<p>6" THERMOPANE FRONT</p> <p>33 7/16" [84.9 cm]</p>
<p>EXTENDED STANDARD FRONT</p> <p>30" [76.2 cm]</p>		<p>EXTENDED STANDARD FRONT</p> <p>24 1/8" [61.3 cm]</p>	<p>EXTENDED STANDARD FRONT</p> <p>33" [83.8 cm]</p>	<p>EXTENDED STANDARD FRONT</p> <p>27" [68.6 cm]</p>	<p>EXTENDED STANDARD FRONT</p> <p>30" [76.2 cm]</p>	<p>EXTENDED STANDARD FRONT</p> <p>24 1/8" [61.3 cm]</p>
<p>6" THERMOPANE FRONT</p> <p>33 7/16" [84.9 cm]</p>		<p>6" THERMOPANE FRONT</p> <p>27 3/8" [69.5 cm]</p>	<p>EXTENDED STANDARD FRONT</p> <p>33" [83.8 cm]</p>	<p>EXTENDED STANDARD FRONT</p> <p>27" [68.6 cm]</p>	<p>EXTENDED STANDARD FRONT</p> <p>30" [76.2 cm]</p>	<p>EXTENDED STANDARD FRONT</p> <p>24 1/8" [61.3 cm]</p>
<p>6" THERMOPANE FRONT</p> <p>33 7/16" [84.9 cm]</p>		<p>6" THERMOPANE FRONT</p> <p>27 3/8" [69.5 cm]</p>	<p>EXTENDED STANDARD FRONT</p> <p>33" [83.8 cm]</p>	<p>EXTENDED STANDARD FRONT</p> <p>27" [68.6 cm]</p>	<p>EXTENDED STANDARD FRONT</p> <p>30" [76.2 cm]</p>	<p>EXTENDED STANDARD FRONT</p> <p>24 1/8" [61.3 cm]</p>



ON3.5UMQA-NRG

ALL MEASUREMENTS ARE TAKEN PER ASHRAE-72-2005 SPECIFICATIONS. HILLPHOENIX REFRIGERATED DISPLAY CASES FOR SALE IN THE UNITED STATES MEET OR EXCEED DEPARTMENT OF ENERGY 2017 REQUIREMENTS.

Rev. Date	Rev. #	Rev. Title
9-30-20	2	SOLOCHILL V6
9-19-19	1	SOLOCHILL V4

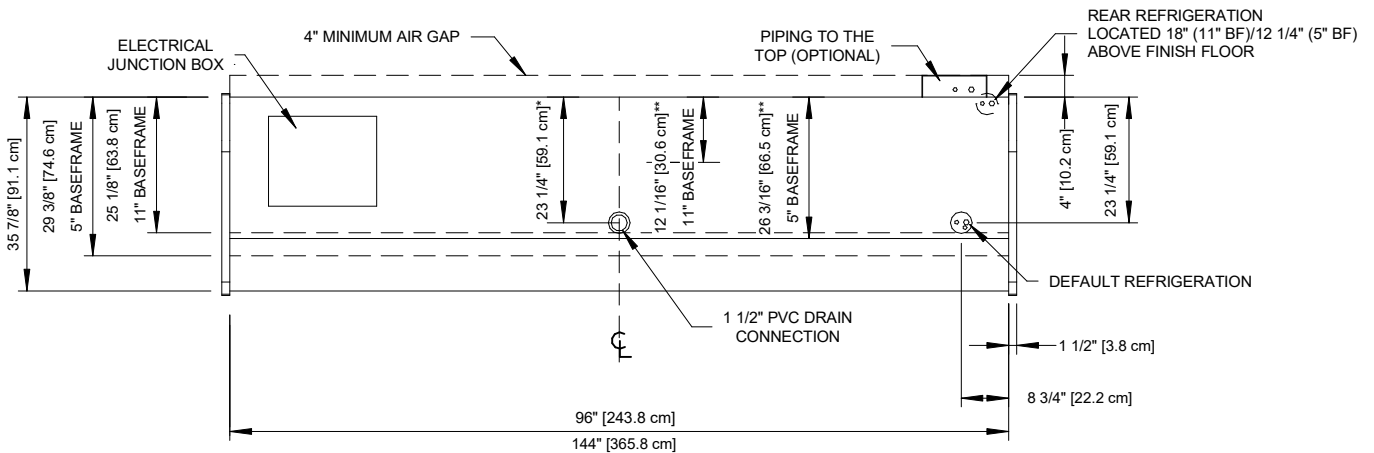
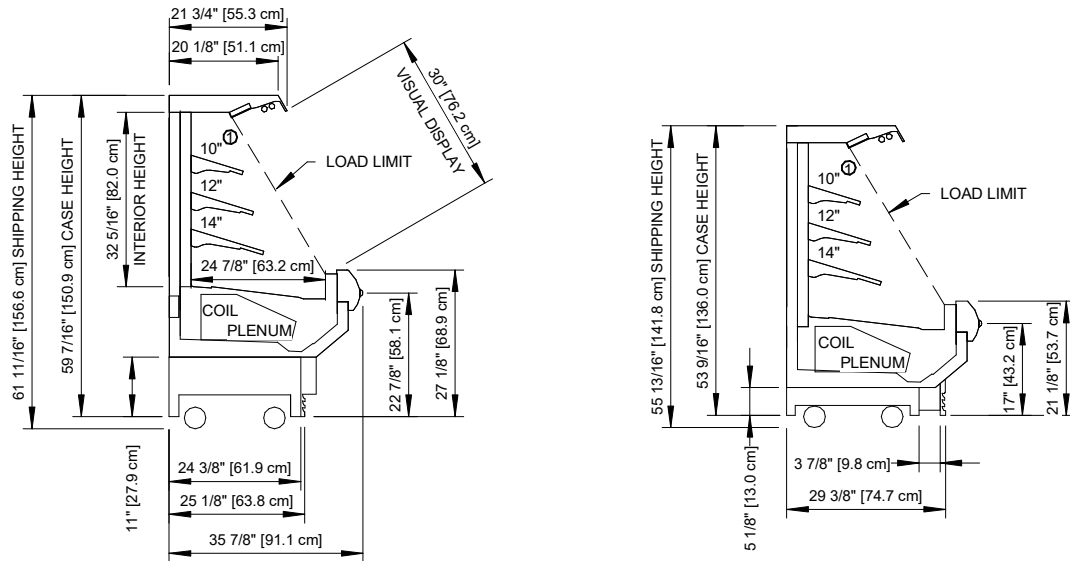


A DOVER COMPANY

ON3.5UMQA-NRG

4', 6', 8', 12' Medium Temp Unitized Island Merchandiser
Dairy/Deli/Meat/Produce

SOLOCHILL
MICRO-DISTRIBUTED



NOTES:

- * : STUB-UP AREA
- ** : RECOMMENDED STUB-UP CENTERLINE FOR ELECTRICAL AND HUB DRAINS
- Ⓛ : AVAILABLE SHELF SIZES: 10", 12", 14", 16", & 18"

- Ends add approximately 1" to case height, 1" to the front & 1/2" to the back.
- Product on top shelf should be 3" below discharge. Product on top shelf should be 3" below discharge.



ALL MEASUREMENTS ARE TAKEN PER ASHRAE-72-2005 SPECIFICATIONS. HILLPHOENIX REFRIGERATED DISPLAY CASES FOR SALE IN THE UNITED STATES MEET OR EXCEED DEPARTMENT OF ENERGY 2017 REQUIREMENTS.

ON3.5UMQA-NRG

Rev. Date	Rev. #	Rev. Title
9-30-20	2	SOLOCHILL V6
9-19-19	1	SOLOCHILL V4

