

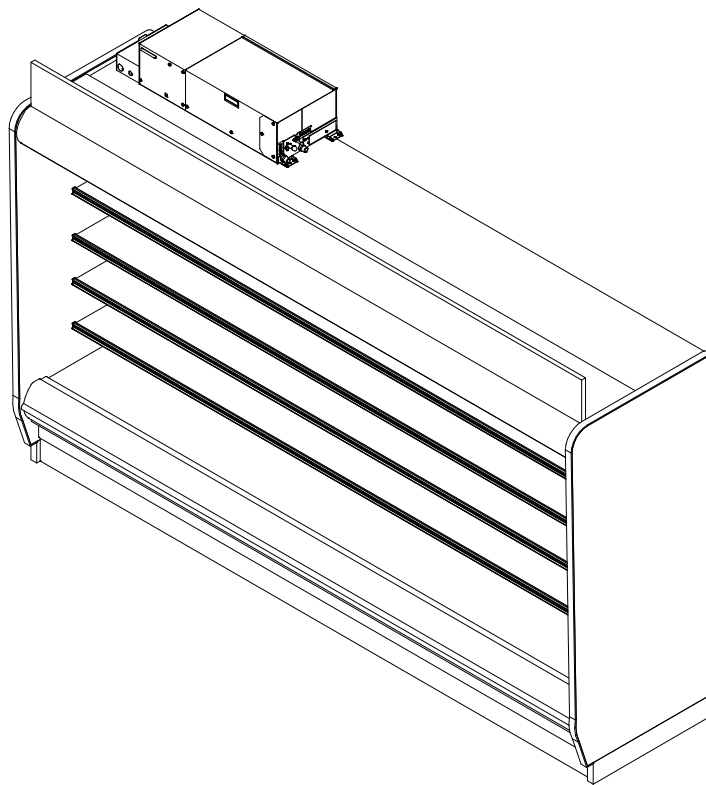
ON5DMXQA-NRG

4', 6', 8' & 12' Narrow Multi-Deck Merchandiser with Synerg-E™
Beverage / Dairy / Deli / Produce



GENERAL NOTES:

- "---" indicates that the feature is not an option on this case model and/or the data is not available at this time.
- LED lights only.
- Maximum of 5 rows of Standard Output LED lighted shelves.



SHIPPING WEIGHT	
Case	Weight
ON5DMXQA-NRG	---



ALL MEASUREMENTS ARE TAKEN PER ASHRAE-72-2005 SPECIFICATIONS. HILLPHOENIX REFRIGERATED DISPLAY CASES FOR SALE IN THE UNITED STATES MEET OR EXCEED DEPARTMENT OF ENERGY 2017 REQUIREMENTS.

ON5DMXQA-NRG

Rev. Date	Rev. #	Rev. Title
11-17-20	5	SHELVING UPDATE
9-30-20	4	SOLOCHILL V5



ON5DMXQA-NRG

4', 6', 8' & 12' Narrow Multi-Deck Merchandiser with Synerg-E™
Beverage / Dairy / Deli / Produce



ELECTRICAL DATA			
Case Length	Fans Per Case	High Efficiency Fans	
		120 Volt	
		Amps	Watts
4'	1	0.23	18.0
6'	2	0.47	35.0
8'	2	0.47	35.0
12'	3	0.70	53.0

LIGHTING DATA					
Case Length	Lights per row	Clearvoyant v4 LED Lighting (Per Light Row)			
		Standard Power (Cornice or Shelf)		High Power (Cornice Only)	
		120 Volts		120 Volts	
		Amps	Watts	Amps	Watts
4'	1	0.05	5.9	0.12	14.9
6'	2	0.08	9.4	0.20	23.8
8'	2	0.10	11.8	0.25	29.9
12'	3	0.15	17.6	0.37	44.8

DEFROST CONTROLS			
Application	Defrosts Per Day	Timed-Off Defrost	
		Fail-Safe (Min)	Termination Temp (F)
Beverage/Bulk Produce	2	30	47
Dairy/Deli/Cut Produce	6	40	47

NOTES:

- "----" indicates that the feature is not an option on this case model and/or the data is not available at this time.
- Listed discharge air velocity represents the average velocity immediately after defrost.
- Temperature and defrost settings listed above are recommended start-up settings. Final operational settings may need to be adjusted for the store conditions in which the case operates.



ALL MEASUREMENTS ARE TAKEN PER ASHRAE-72-2005 SPECIFICATIONS. HILLPHOENIX REFRIGERATED DISPLAY CASES FOR SALE IN THE UNITED STATES MEET OR EXCEED DEPARTMENT OF ENERGY 2017 REQUIREMENTS.

ON5DMXQA-NRG

Rev. Date	Rev. #	Rev. Title
11-17-20	5	SHELVING UPDATE
9-30-20	4	SOLOCHILL V5



A DOVER COMPANY

ON5DMXQA-NRG

4', 6', 8' & 12' Narrow Multi-Deck Merchandiser with Synerg-E™
Beverage / Dairy / Deli / Produce



SOLOCHILL DATA			@95° Condensing Temperature		
Volts	Phase	Frequency	Wire		
208	1	60	3 Wire + Ground		
Application		Case Length	Evaporator Temp (°F)	Discharge Air (°F)	Discharge Air Velocity (FPM)
BEVERAGE/BULK PRODUCE		4'	32	37	150
BEVERAGE/BULK PRODUCE		6'	32	37	150
BEVERAGE/BULK PRODUCE		8'	32	37	150
BEVERAGE/BULK PRODUCE		12'	32	37	150
DAIRY/DELI/CUT PRODUCE		4'	26	31	150
DAIRY/DELI/CUT PRODUCE		6'	26	31	150
DAIRY/DELI/CUT PRODUCE		8'	26	31	150
DAIRY/DELI/CUT PRODUCE		12'	26	31	150

Application	Case Length	R448A					
		Condensing Unit Model	MCA	MOP	Required Capacity	THR (BTUH)	Flow Rate
BEVERAGE/BULK PRODUCE	4'	DA130	11.2	15	4520	6925	2.0
BEVERAGE/BULK PRODUCE	6'	DA130	12.0	15	6780	10355	3.0
BEVERAGE/BULK PRODUCE	8'	DA220	18.4	20	9040	13554	3.9
BEVERAGE/BULK PRODUCE	12'	DA330	26.9	30	13560	20670	5.9
DAIRY/DELI/CUT PRODUCE	4'	DA130	11.2	15	5664	7082	2.0
DAIRY/DELI/CUT PRODUCE	6'	DA130	12.0	15	8496	10602	3.0
DAIRY/DELI/CUT PRODUCE	8'	DA220	18.4	20	11328	13833	4.0
DAIRY/DELI/CUT PRODUCE	12'	DA330	26.9	30	16992	21117	6.1



ALL MEASUREMENTS ARE TAKEN PER ASHRAE-72-2005 SPECIFICATIONS. HILLPHOENIX REFRIGERATED DISPLAY CASES FOR SALE IN THE UNITED STATES MEET OR EXCEED DEPARTMENT OF ENERGY 2017 REQUIREMENTS.

ON5DMXQA-NRG

Rev. Date	Rev. #	Rev. Title
11-17-20	5	SHELVING UPDATE
9-30-20	4	SOLOCHILL V5



A DOVER COMPANY

ON5DMXQA-NRG

4', 6', 8' & 12' Narrow Multi-Deck Merchandiser with Synerg-E™
Beverage / Dairy / Deli / Produce



FRONT OPTIONS	CORNICE OPTIONS	CURVED CORNICE	CURVED CORNICE WITH NIGHT COVER	FACETED CORNICE	FACETED CORNICE WITH NIGHT COVER	FLAT CORNICE	FLAT CORNICE WITH STANDARD NIGHT COVER
		37"	40 1/4"	36 7/8"	40 1/8"	36 1/8"	38 3/4"
FRONT OPTIONS	FLAT FRONT 2	STANDARD FRONT 19 7/8" [50.5 cm]	2 1/2" EXTENDED FRONT W/ & W/O NOSE LIGHT 22 3/8" [56.9 cm]	5" EXTENDED FRONT W/ & W/O NOSE LIGHT 25" [63.5 cm]	7 1/2" EXTENDED FRONT 27 3/8" [69.6 cm]		
	FLAT FRONT	STANDARD FRONT 18 11/16" [47.5 cm]	2 1/2" EXTENDED FRONT W/ & W/O NOSE LIGHT 21 3/16" [53.9 cm]	5" EXTENDED FRONT W/ & W/O NOSE LIGHT 23 11/16" [60.2 cm]	7 1/2" EXTENDED FRONT 26 3/16" [66.6 cm]		
	CLASSIC 2 METAL	STANDARD FRONT 18 11/16" [47.5 cm]	2 1/2" EXTENDED FRONT W/ & W/O NOSE LIGHT 21 3/16" [53.9 cm]	5" EXTENDED FRONT W/ & W/O NOSE LIGHT 23 11/16" [60.2 cm]	7 1/2" EXTENDED FRONT 26 3/16" [66.6 cm]		
	CLASSIC 2 POLYMER	STANDARD FRONT 18 11/16" [47.5 cm]	2 1/2" EXTENDED FRONT W/ & W/O NOSE LIGHT 21 3/16" [53.9 cm]	5" EXTENDED FRONT W/ & W/O NOSE LIGHT 23 11/16" [60.2 cm]	7 1/2" EXTENDED FRONT 26 3/16" [66.6 cm]		
	ORIGIN 2	STANDARD FRONT 18 11/16" [47.5 cm]	2 1/2" EXTENDED FRONT W/ & W/O NOSE LIGHT 21 3/16" [53.9 cm]	5" EXTENDED FRONT W/ & W/O NOSE LIGHT 23 11/16" [60.2 cm]	7 1/2" EXTENDED FRONT 26 3/16" [66.6 cm]		
	THERMOPANE	6" THERMOPANE FRONT 29 7/8" [75.8 cm]	4" THERMOPANE FRONT 27 7/8" [70.8 cm]	4" THERMOPANE FRONT W/T NOSE LIGHT 27 7/8" [70.8 cm]	6" THERMOPANE FRONT 29 7/8" [75.9 cm]		



COMPONENT

ALL MEASUREMENTS ARE TAKEN PER ASHRAE-72-2005 SPECIFICATIONS. HILLPHOENIX REFRIGERATED DISPLAY CASES FOR SALE IN THE UNITED STATES MEET OR EXCEED DEPARTMENT OF ENERGY 2017 REQUIREMENTS.

ON5DMXQA-NRG

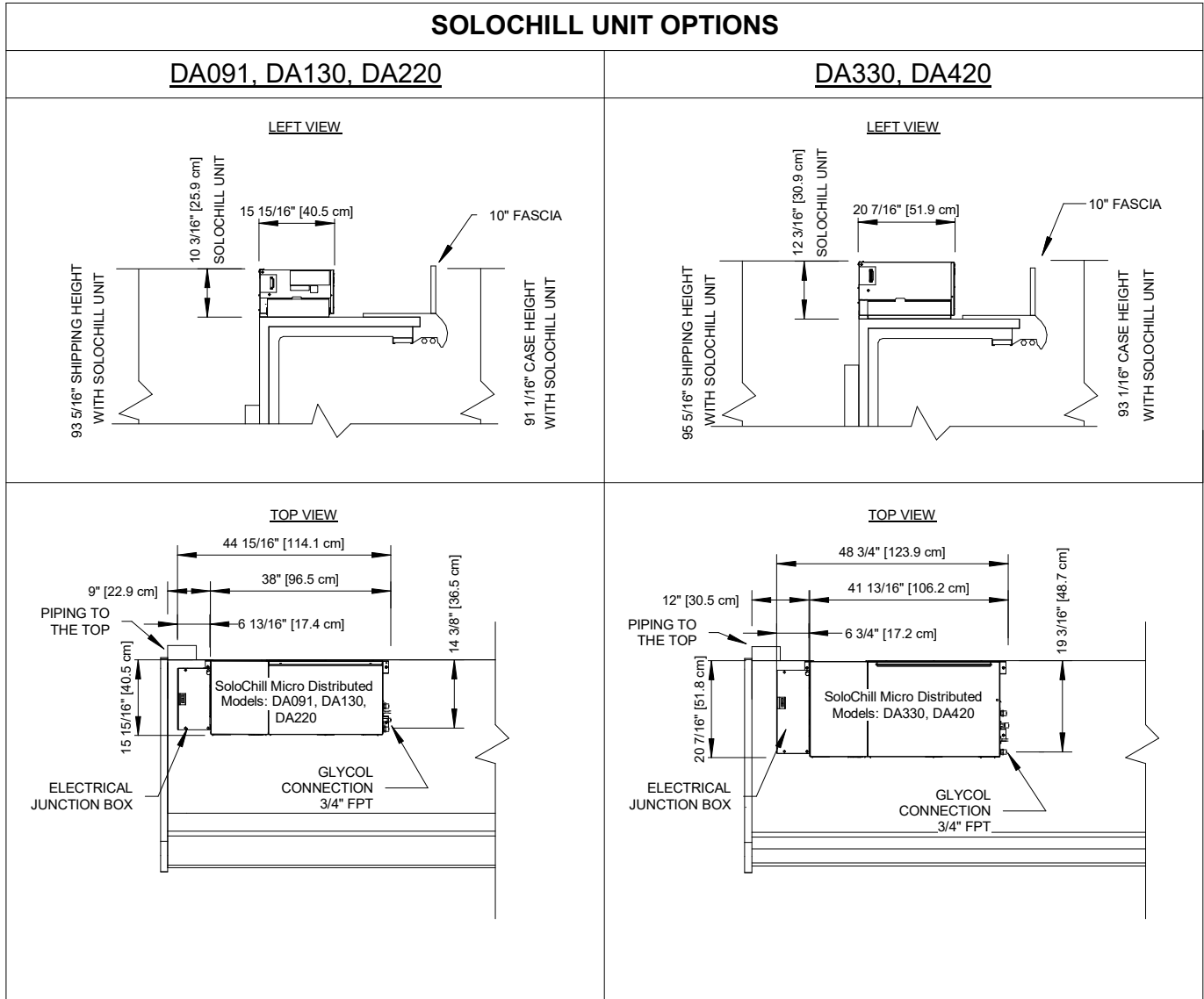
Rev. Date	Rev. #	Rev. Title
11-17-20	5	SHELVING UPDATE
9-30-20	4	SOLOCHILL V5



A DOVER COMPANY

ON5DMXQA-NRG

4', 6', 8' & 12' Narrow Multi-Deck Merchandiser with Synerg-E™
Beverage / Dairy / Deli / Produce



ON5DMXQA-NRG

ALL MEASUREMENTS ARE TAKEN PER ASHRAE-72-2005 SPECIFICATIONS. HILLPHOENIX REFRIGERATED DISPLAY CASES FOR SALE IN THE UNITED STATES MEET OR EXCEED DEPARTMENT OF ENERGY 2017 REQUIREMENTS.

Rev. Date	Rev. #	Rev. Title
11-17-20	5	SHELVING UPDATE
9-30-20	4	SOLOCHILL V5

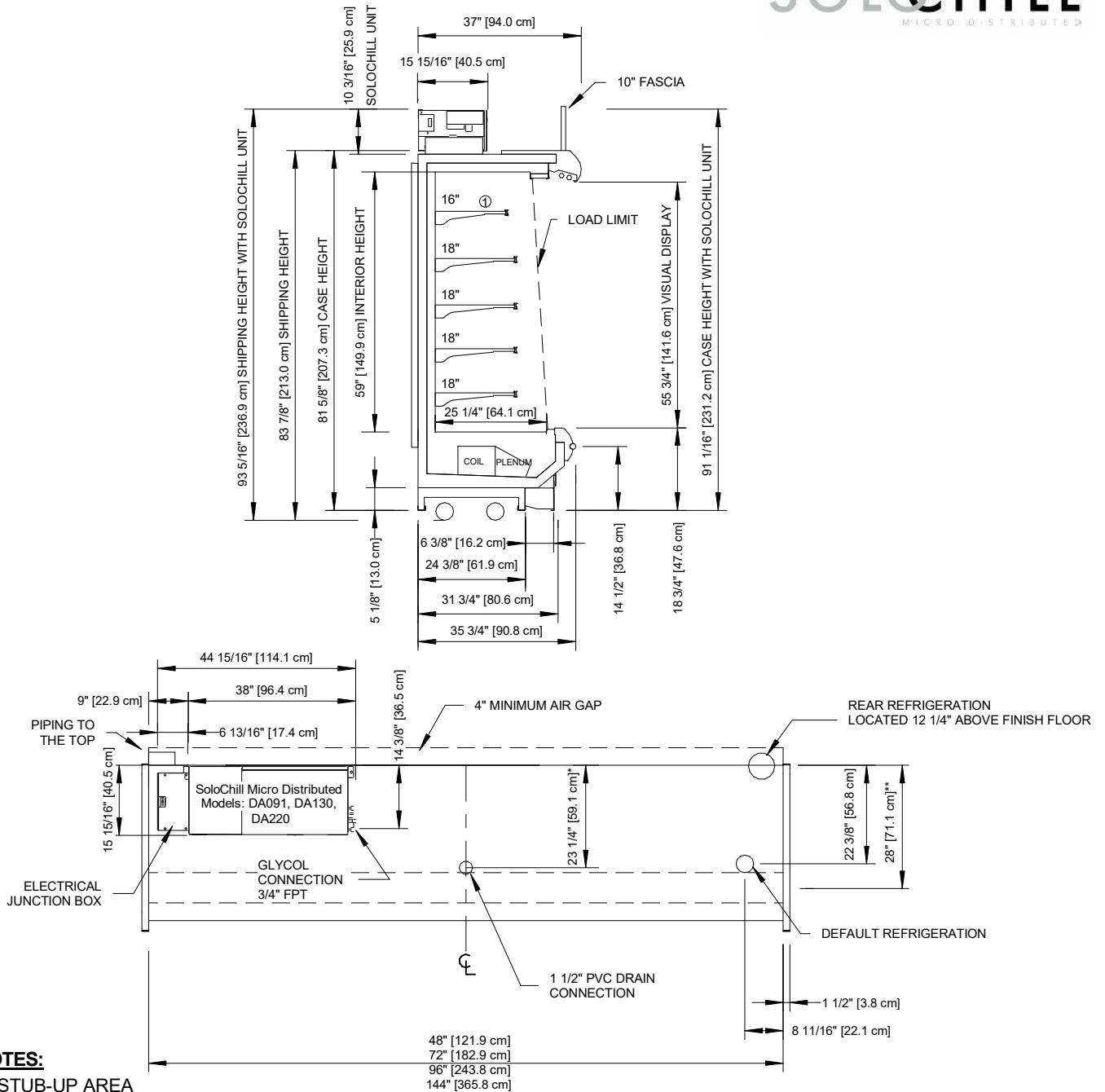


A DOVER COMPANY

ON5DMXQA-NRG

4', 6', 8' & 12' Narrow Multi-Deck Merchandiser with Synerg-E™
Beverage / Dairy / Deli / Produce

SOLOCHILL
MICRO-DISTRIBUTED



- Ends add approximately 1" to case height, 1/2" to the back & 1" to the front.
- Back panels add approximately 1" to the rear of the case.



ALL MEASUREMENTS ARE TAKEN PER ASHRAE-72-2005 SPECIFICATIONS. HILLPHOENIX REFRIGERATED DISPLAY CASES FOR SALE IN THE UNITED STATES MEET OR EXCEED DEPARTMENT OF ENERGY 2017 REQUIREMENTS.

ON5DMXQA-NRG

Rev. Date	Rev. #	Rev. Title
11-17-20	5	SHELVING UPDATE
9-30-20	4	SOLOCHILL V5

Hillphoenix
A DOVER COMPANY