

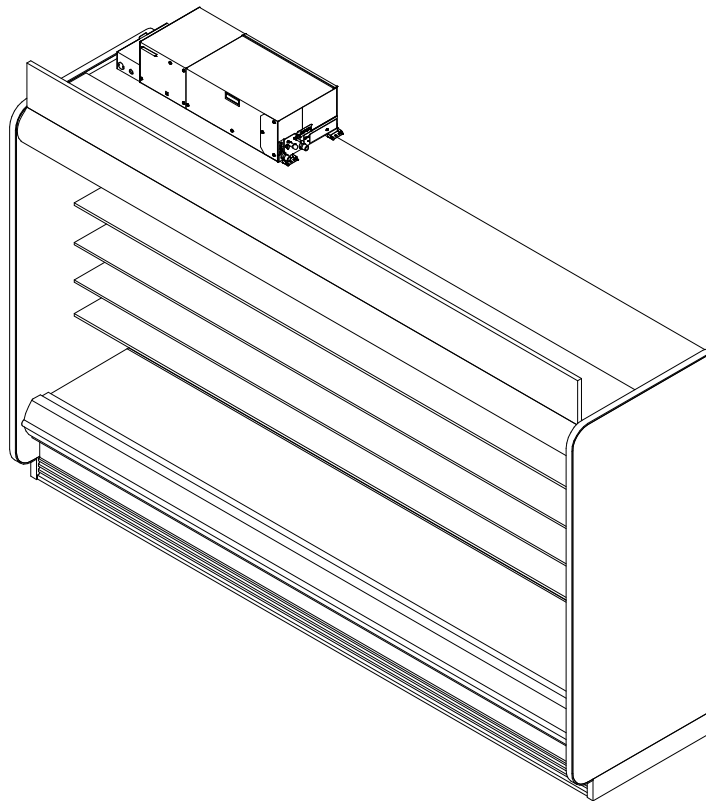
ON5MHXQA-NRG

4', 6', 8' & 12' High Multi-Deck Merchandiser with Synerg-E™
Deli / Meat

SOLOCHILL
MICRO-DISTRIBUTED

GENERAL NOTES:

- "---" indicates that the feature is not an option on this case model and/or the data is not available at this time.
- LED lights only.
- Maximum of 5 rows of Standard Output LED lighted shelves.



SHIPPING WEIGHT	
Case	Weight
ON5MHXQA-NRG	---



ALL MEASUREMENTS ARE TAKEN PER ASHRAE-72-2005 SPECIFICATIONS. HILLPHOENIX REFRIGERATED DISPLAY CASES FOR SALE IN THE UNITED STATES MEET OR EXCEED DEPARTMENT OF ENERGY 2017 REQUIREMENTS.

ON5MHXQA-NRG

Rev. Date	Rev. #	Rev. Title
9-30-20	4	SOLOCHILL V5
2-10-20	3	FASCIA UPDATE

Hillphoenix
A DOVER COMPANY

ON5MHXQA-NRG

4', 6', 8' & 12' High Multi-Deck Merchandiser with Synerg-E™
Deli / Meat



ELECTRICAL DATA			
Case Length	Fans Per Case	High Efficiency Fans	
		120 Volt	
		Amps	Watts
4'	2	0.46	36.0
6'	4	0.95	70.0
8'	4	0.95	70.0
12'	6	1.40	106.0

LIGHTING DATA					
Case Length	Lights per row	Clearvoyant v4 LED Lighting (Per Light Row)			
		Standard Power (Cornice or Shelf)		High Power (Cornice Only)	
		120 Volts		120 Volts	
		Amps	Watts	Amps	Watts
4'	1	0.05	5.9	0.12	14.9
6'	2	0.08	9.4	0.20	23.8
8'	2	0.10	11.8	0.25	29.9
12'	3	0.15	17.6	0.37	44.8

DEFROST CONTROLS		
Defrosts Per Day	Timed-Off Defrost	
	Fail-Safe (Min)	Termination Temp (F)
6	40	47

NOTES:

- "---" indicates that the feature is not an option on this case model and/or the data is not available at this time.
- Listed discharge air velocity represents the average velocity immediately after defrost.
- Temperature and defrost settings listed above are recommended start-up settings. Final operational settings may need to be adjusted for the store conditions in which the case operates.



ALL MEASUREMENTS ARE TAKEN PER ASHRAE-72-2005 SPECIFICATIONS. HILLPHOENIX REFRIGERATED DISPLAY CASES FOR SALE IN THE UNITED STATES MEET OR EXCEED DEPARTMENT OF ENERGY 2017 REQUIREMENTS.

ON5MHXQA-NRG

Rev. Date	Rev. #	Rev. Title
9-30-20	4	SOLOCHILL V5
2-10-20	3	FASCIA UPDATE



A DOVER COMPANY

ON5MHXQA-NRG

4', 6', 8' & 12' High Multi-Deck Merchandiser with Synerg-E™
Deli / Meat



SOLOCHILL DATA			@95° Condensing Temperature	
Volts	Phase	Frequency	Wire	
208	1	60	3 Wire + Ground	
Application	Case Length	Evaporator Temp (°F)	Discharge Air (°F)	Discharge Air Velocity (FPM)
MEAT	4'	24	30	240
MEAT	6'	24	30	240
MEAT	8'	24	30	240
MEAT	12'	24	30	240

Application	Case Length	R448A					
		Condensing Unit Model	MCA	MOP	Required Capacity	THR (BTUH)	Flow Rate
MEAT	4'	DA130	11.5	15	6764	8514	2.4
MEAT	6'	DA220	18.7	20	10146	12492	3.6
MEAT	8'	DA220	19.0	20	13528	16620	4.8
MEAT	12'	DA420	37.8	40	20292	25232	7.2



ALL MEASUREMENTS ARE TAKEN PER ASHRAE-72-2005 SPECIFICATIONS. HILLPHOENIX REFRIGERATED DISPLAY CASES FOR SALE IN THE UNITED STATES MEET OR EXCEED DEPARTMENT OF ENERGY 2017 REQUIREMENTS.

ON5MHXQA-NRG

Rev. Date	Rev. #	Rev. Title
9-30-20	4	SOLOCHILL V5
2-10-20	3	FASCIA UPDATE



A DOVER COMPANY

ON5MHXQA-NRG

4', 6', 8' & 12' High Multi-Deck Merchandiser with Synerg-E™
Deli / Meat

NOTES

- Extended front sills are required for meat applications.



CORNICE OPTIONS	FRONT OPTIONS					
	CURVED CORNICE	CURVED CORNICE WITH NIGHT COVER	FACETED CORNICE	FACETED CORNICE WITH NIGHT COVER	FLAT CORNICE	FLAT CORNICE WITH STANDARD NIGHT COVER
	37"	40 1/4"	36 7/8"	40 1/8"	36 1/8"	38 3/4"
FRONT OPTIONS	FLAT FRONT 2	STANDARD FRONT 19 7/8" [50.5 cm]	2 1/2" EXTENDED FRONT W/ & W/O NOSE LIGHT 22 3/8" [56.9 cm]	5" EXTENDED FRONT W/ & W/O NOSE LIGHT 25" [63.5 cm]	7 1/2" EXTENDED FRONT 27 3/8" [69.6 cm]	
	FLAT FRONT	STANDARD FRONT 18 11/16" [47.5 cm]	2 1/2" EXTENDED FRONT W/ & W/O NOSE LIGHT 21 3/16" [53.9 cm]	5" EXTENDED FRONT W/ & W/O NOSE LIGHT 23 11/16" [60.2 cm]	7 1/2" EXTENDED FRONT 26 3/16" [66.6 cm]	
	CLASSIC 2 METAL	STANDARD FRONT 18 11/16" [47.5 cm]	2 1/2" EXTENDED FRONT W/ & W/O NOSE LIGHT 21 3/16" [53.9 cm]	5" EXTENDED FRONT W/ & W/O NOSE LIGHT 23 11/16" [60.2 cm]	7 1/2" EXTENDED FRONT 26 3/16" [66.6 cm]	
	CLASSIC 2 POLYMER	STANDARD FRONT 18 11/16" [47.5 cm]	2 1/2" EXTENDED FRONT W/ & W/O NOSE LIGHT 21 3/16" [53.9 cm]	5" EXTENDED FRONT W/ & W/O NOSE LIGHT 23 11/16" [60.2 cm]	7 1/2" EXTENDED FRONT 26 3/16" [66.6 cm]	
	ORIGIN 2	STANDARD FRONT 18 11/16" [47.5 cm]	2 1/2" EXTENDED FRONT W/ & W/O NOSE LIGHT 21 3/16" [53.9 cm]	5" EXTENDED FRONT W/ & W/O NOSE LIGHT 23 11/16" [60.2 cm]	7 1/2" EXTENDED FRONT 26 3/16" [66.6 cm]	
	THERMOPANE	6" THERMOPANE FRONT 29 7/8" [75.8 cm]	4" THERMOPANE FRONT 27 7/8" [70.8 cm]	4" THERMOPANE FRONT W/T NOSE LIGHT 27 7/8" [70.8 cm]	6" THERMOPANE FRONT 29 7/8" [75.9 cm]	



COMPONENT

ALL MEASUREMENTS ARE TAKEN PER ASHRAE-72-2005 SPECIFICATIONS. HILLPHOENIX REFRIGERATED DISPLAY CASES FOR SALE IN THE UNITED STATES MEET OR EXCEED DEPARTMENT OF ENERGY 2017 REQUIREMENTS.

ON5MHXQA-NRG

Rev. Date	Rev. #	Rev. Title
9-30-20	4	SOLOCHILL V5
2-10-20	3	FASCIA UPDATE



A DOVER COMPANY

ON5MHXQA-NRG

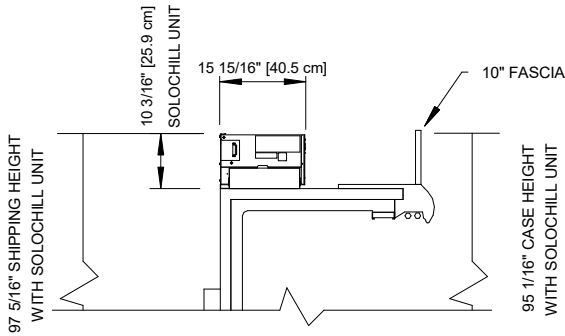
4', 6', 8' & 12' High Multi-Deck Merchandiser with Synerg-E™
Deli / Meat



SOLOCHILL UNIT OPTIONS

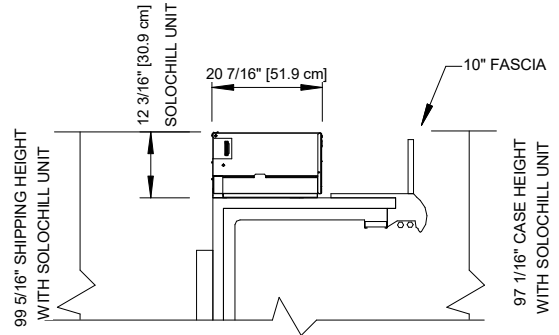
DA091, DA130, DA220

LEFT VIEW

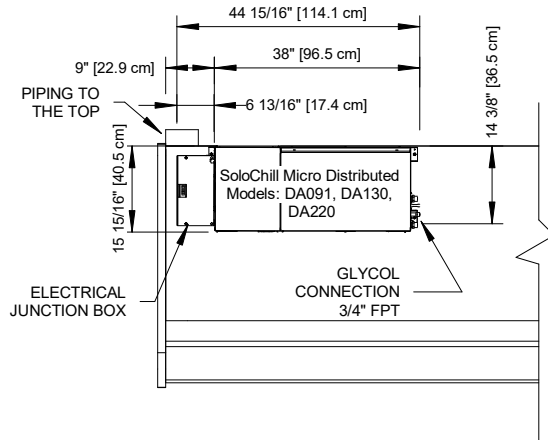


DA330, DA420

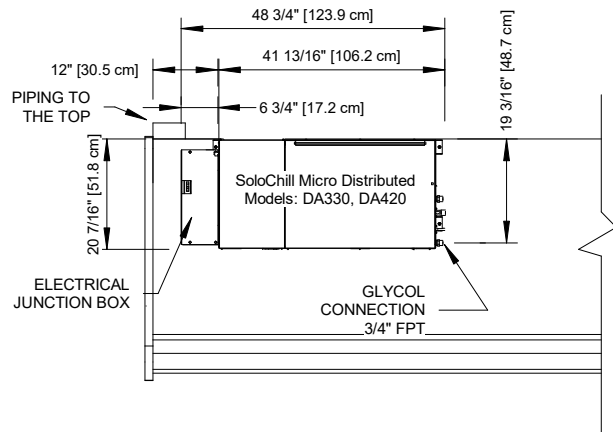
LEFT VIEW



TOP VIEW



TOP VIEW



ALL MEASUREMENTS ARE TAKEN PER ASHRAE-72-2005 SPECIFICATIONS. HILLPHOENIX REFRIGERATED DISPLAY CASES FOR SALE IN THE UNITED STATES MEET OR EXCEED DEPARTMENT OF ENERGY 2017 REQUIREMENTS.

ON5MHXQA-NRG

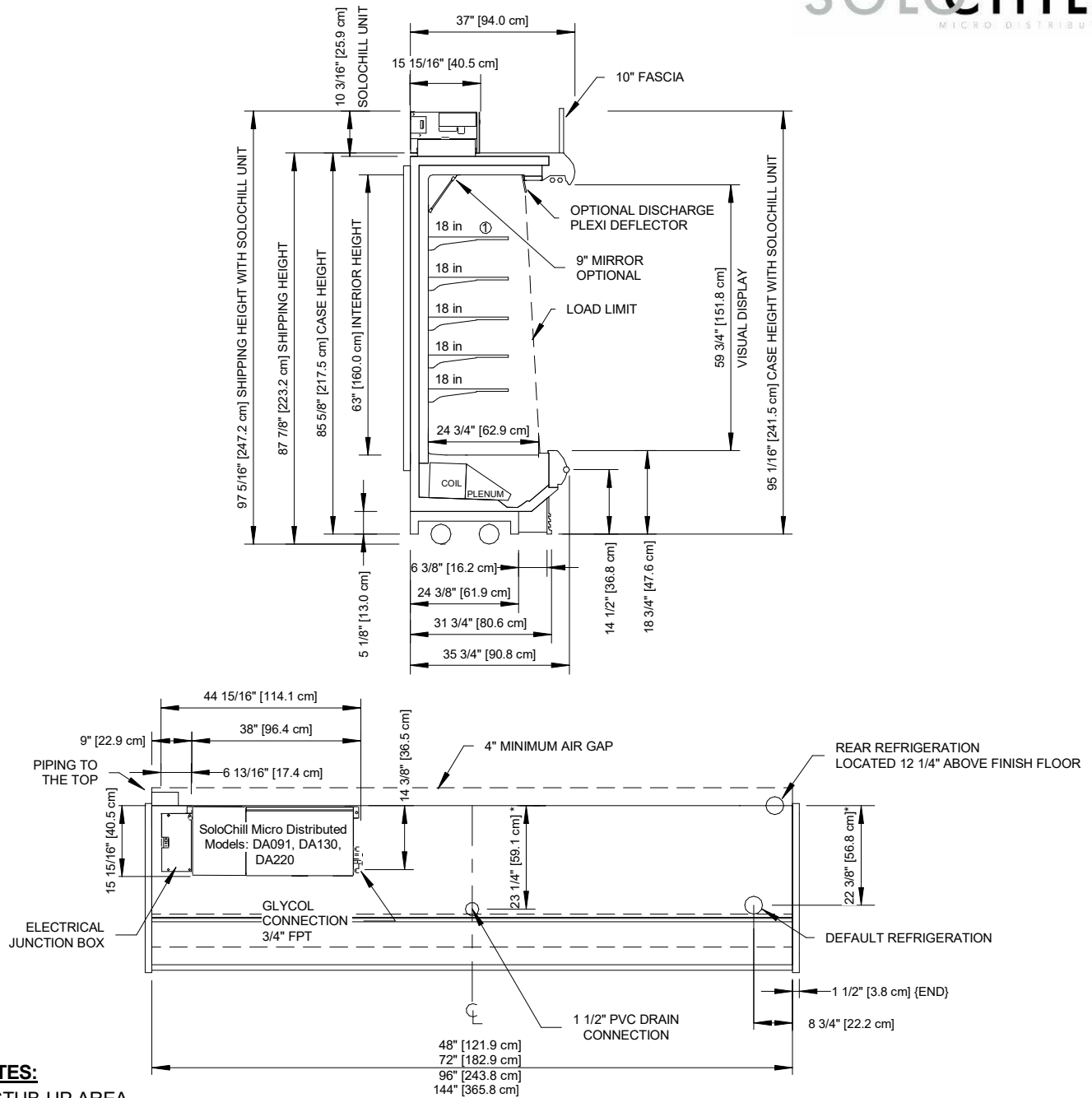
Rev. Date	Rev. #	Rev. Title
9-30-20	4	SOLOCHILL V5
2-10-20	3	FASCIA UPDATE



ON5MHXQA-NRG

4', 6', 8' & 12' High Multi-Deck Merchandiser with Synerg-E™
Deli / Meat

SOLOCHILL
MICRO-DISTRIBUTED



- Ends add approximately 1" to case height, 1/2" to the back & 1" to the front.
- Back panels add approximately 1" to the rear of the case.



ALL MEASUREMENTS ARE TAKEN PER ASHRAE-72-2005 SPECIFICATIONS. HILLPHOENIX REFRIGERATED DISPLAY CASES FOR SALE IN THE UNITED STATES MEET OR EXCEED DEPARTMENT OF ENERGY 2017 REQUIREMENTS.

ON5MHXQA-NRG

Rev. Date	Rev. #	Rev. Title
9-30-20	4	SOLOCHILL V5
2-10-20	3	FASCIA UPDATE

Hillphoenix
A DOVER COMPANY