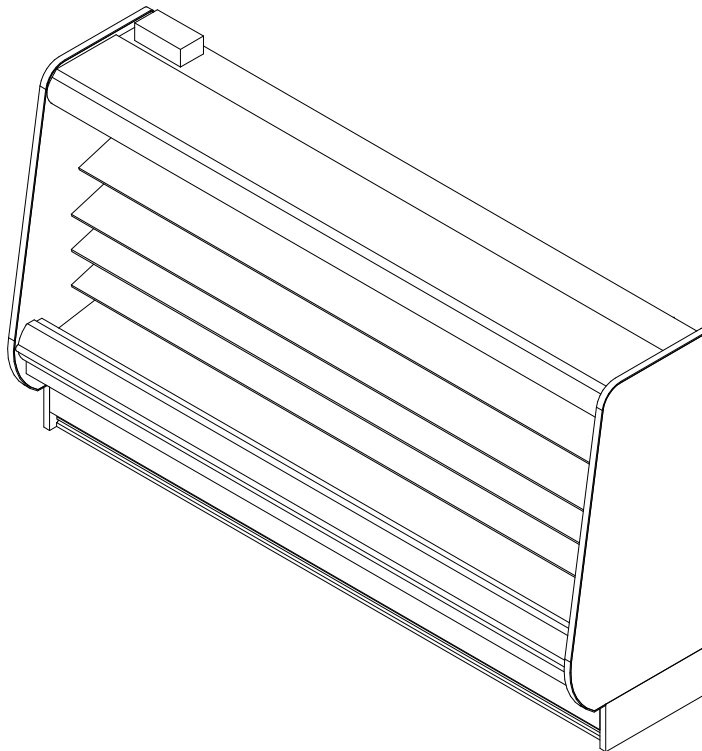


ONHMH-NRG

4', 6', 8' & 12' High Multi-Deck Merchandiser with Synerg-E™
Deli / Meat / Seafood

GENERAL NOTES:

- "---" indicates that the feature is not an option for this case model and/or the data is not yet available.
- LED lights only.



SHIPPING WEIGHT	
Case	Weight
ONHMH-NRG	---



ALL MEASUREMENTS ARE TAKEN PER ASHRAE-72 SPECIFICATIONS. HILLPHOENIX REFRIGERATED DISPLAY CASES FOR SALE IN THE UNITED STATES MEET OR EXCEED DEPARTMENT OF ENERGY 2017 REQUIREMENTS.

ONHMH-NRG

Rev. Date	Rev. #	Rev. Title
07-15-21	9	ENDVIEW UPDATE
09-25-19	8	OPTIONS UPDATE



ONHMH-NRG

4', 6', 8' & 12' High Multi-Deck Merchandiser with Synerg-E™
Deli / Meat / Seafood

ELECTRICAL DATA			
Case Length	Fans Per Case	High Efficiency Fans	
		120 Volt	
		Amps	Watts
4'	2	0.50	36.0
6'	3	0.75	54.0
8'	3	0.75	54.0
12'	4	1.00	72.0

LIGHTING DATA					
Case Length	Lights per row	Clearvoyant v4 LED Lighting (Per Light Row)			
		Standard Power (Cornice or Shelf)		High Power (Cornice Only)	
		120 Volts		120 Volts	
		Amps	Watts	Amps	Watts
4'	1	0.05	5.9	0.12	14.9
8'	2	0.08	9.4	0.20	23.8
6'	2	0.10	11.8	0.25	29.9
12'	3	0.15	17.6	0.37	44.8

GUIDELINES AND CONTROL SETTINGS						
Front Sill height	BTUH/ft		Superheat Set Point @ Bulb (°F)	Evaporator (°F)	Discharge Air (°F)	Discharge Air Velocity (FPM)
	Conventional	Parallel				
All Others	1468	1285	6 - 8	26	30	220
Standard	1525	1334	6 - 8	26	30	220

DEFROST CONTROLS		
Defrosts Per Day	Timed-Off Defrost	
	Fail-Safe (Min)	Termination Temp (°F)
6	40	47

NOTES:

- "---" indicates that the feature is not an option for this case model and/or the data is not yet available.
- Listed BTUH/ft data represent unlighted shelves. For LED lighting, add 9 BTUH/ft to determine Total Case Lighting BTUH Load.
- BTUH load increases by 132 BTUH/ft when aftermarket merchandising accessories are utilized.
- Listed evaporator temperature represents unlighted shelves. For lighted shelves and/or aftermarket merchandising accessories, reduce the listed evaporator temperature by 2°F.
- Conventional Discharge Air Control – Recommended Settings: Cut-In Temp = Discharge Air + 2°F; Cut-Out Temp = Discharge Air - 2°F.
- Listed discharge air velocity represents the average velocity immediately after defrost.
- Temperature and defrost settings listed above are recommended start-up settings. Final operational settings may need to be adjusted for the store conditions in which the case operates.
- The recommended evaporator temperatures may need to be adjusted based on system setup, store conditions, etc. The minimum recommended evaporator temperature is 4°F below the listed evaporator temperature.



ALL MEASUREMENTS ARE TAKEN PER ASHRAE-72 SPECIFICATIONS. HILLPHOENIX REFRIGERATED DISPLAY CASES FOR SALE IN THE UNITED STATES MEET OR EXCEED DEPARTMENT OF ENERGY 2017 REQUIREMENTS.

ONHMH-NRG

Rev. Date	Rev. #	Rev. Title
07-15-21	9	ENDVIEW UPDATE
09-25-19	8	OPTIONS UPDATE



A DOVER COMPANY

ONHMH-NRG

4', 6', 8' & 12' High Multi-Deck Merchandiser with Synerg-E™
Deli / Meat / Seafood

SECOND NATURE DATA								
Case Model	No. of Coils	Application	Front Sill height	BTUH/FT		GPM/ft (DR)	Supply Fluid Temp (°F)	Discharge Air Temp (°F)
				Conventional	Parallel			
ONHMH-NRG	1	Meat	Standard	1525	1334	0.39	20	30
ONHMH-NRG	1	Meat	All Others	1468	1285	0.37	20	30
ONHMH-NRG	1	Meat	Standard	1525	1334	0.92	25	30
ONHMH-NRG	1	Meat	All Others	1468	1285	0.89	25	30

SECOND NATURE DATA									
Case Model	No. of Coils	Application	Front Sill height	Supply Fluid Temp (°F)	No. of Defrost	Timed-Off Defrost		Warm Fluid Defrost	
						Fail-Safe (Min)	Termination Temp (°F)	Fail-Safe (Min)	Termination Temp (°F)
ONHMH-NRG	1	Meat	Standard	20	6	45	47	26	49
ONHMH-NRG	1	Meat	All Others	20	6	45	47	26	49
ONHMH-NRG	1	Meat	Standard	25	6	45	47	26	49
ONHMH-NRG	1	Meat	All Others	25	6	45	47	26	49

NOTES:

- Front sill height and overall case height varies with base frame height.



ALL MEASUREMENTS ARE TAKEN PER ASHRAE-72 SPECIFICATIONS. HILLPHOENIX REFRIGERATED DISPLAY CASES FOR SALE IN THE UNITED STATES MEET OR EXCEED DEPARTMENT OF ENERGY 2017 REQUIREMENTS.

ONHMH-NRG

Rev. Date	Rev. #	Rev. Title
07-15-21	9	ENDVIEW UPDATE
09-25-19	8	OPTIONS UPDATE



A DOVER COMPANY

FRONT OPTIONS		CORNICHE OPTIONS					
		CURVED CORNICHE 27 5/8"	CURVED CORNICHE WITH NIGHT COVER 30 7/8"	FACETED CORNICHE 27 1/2"	FACETED CORNICHE WITH NIGHT COVER 30 3/4"	FLAT CORNICHE 26 3/4"	FLAT CORNICHE WITH STANDARD NIGHT COVER 29 3/8"
FRONT OPTIONS	FLAT FRONT 2	STANDARD FRONT 1" BASEFRAME: 28 1/8" [71.5 cm] 5" BASEFRAME: 22 3/8" [56.7 cm]		EXTENDED STANDARD FRONT 1" BASEFRAME: 33 1/8" [84.0 cm] 5" BASEFRAME: 27 1/8" [68.6 cm]		6" THERMOPANE FRONT 1" BASEFRAME: 33 3/8" [84.9 cm] 5" BASEFRAME: 27 3/8" [69.5 cm]	
	FLAT FRONT	STANDARD FRONT 1" BASEFRAME: 27" [68.7 cm] 5" BASEFRAME: 21 1/8" [53.8 cm]		EXTENDED STANDARD FRONT 1" BASEFRAME: 30" [76.2 cm] 5" BASEFRAME: 24 1/8" [61.3 cm]		6" THERMOPANE FRONT 1" BASEFRAME: 33 1/8" [84.1 cm] 5" BASEFRAME: 27 1/4" [69.1 cm]	
	CLASSIC 2 METAL	STANDARD FRONT 1" BASEFRAME: 27" [68.7 cm] 5" BASEFRAME: 21 1/8" [53.7 cm]		EXTENDED STANDARD FRONT 1" BASEFRAME: 30" [76.2 cm] 5" BASEFRAME: 24 1/8" [61.3 cm]		6" THERMOPANE FRONT 1" BASEFRAME: 33 1/8" [84.2 cm] 5" BASEFRAME: 27 1/4" [69.3 cm]	
	CLASSIC 2 POLYMER	STANDARD FRONT 1" BASEFRAME: 27" [68.7 cm] 5" BASEFRAME: 21 1/8" [53.7 cm]		EXTENDED STANDARD FRONT 1" BASEFRAME: 30" [76.2 cm] 5" BASEFRAME: 24 1/8" [61.3 cm]		6" THERMOPANE FRONT 1" BASEFRAME: 33 1/8" [84.2 cm] 5" BASEFRAME: 27 1/4" [69.3 cm]	
	ORIGIN 2	STANDARD FRONT 1" BASEFRAME: 27" [68.7 cm] 5" BASEFRAME: 21 1/8" [53.8 cm]		EXTENDED STANDARD FRONT 1" BASEFRAME: 30" [76.2 cm] 5" BASEFRAME: 24 1/8" [61.3 cm]		6" THERMOPANE FRONT 1" BASEFRAME: 33 1/8" [84.2 cm] 5" BASEFRAME: 27 1/4" [69.3 cm]	

NOTES:

- Front sill height and overall case height varies with base frame height.



ALL MEASUREMENTS ARE TAKEN PER ASHRAE-72 SPECIFICATIONS. HILLPHOENIX REFRIGERATED DISPLAY CASES FOR SALE IN THE UNITED STATES MEET OR EXCEED DEPARTMENT OF ENERGY 2017 REQUIREMENTS.

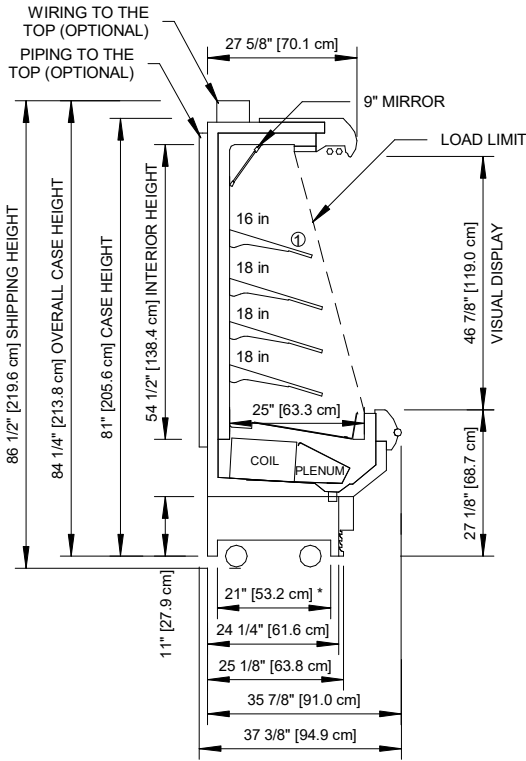
ONHMH-NRG

Rev. Date	Rev. #	Rev. Title
07-15-21	9	ENDVIEW UPDATE
09-25-19	8	OPTIONS UPDATE

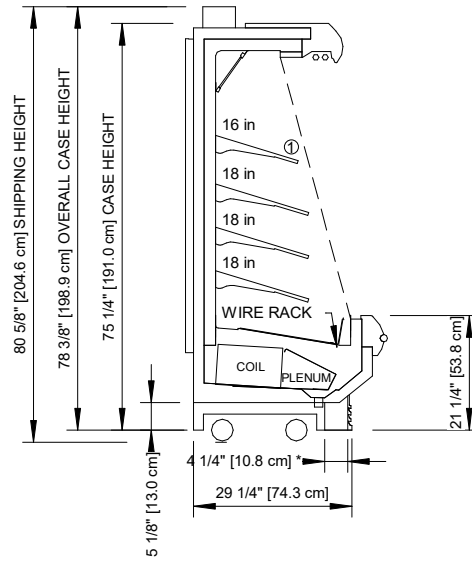


ONHMH-NRG

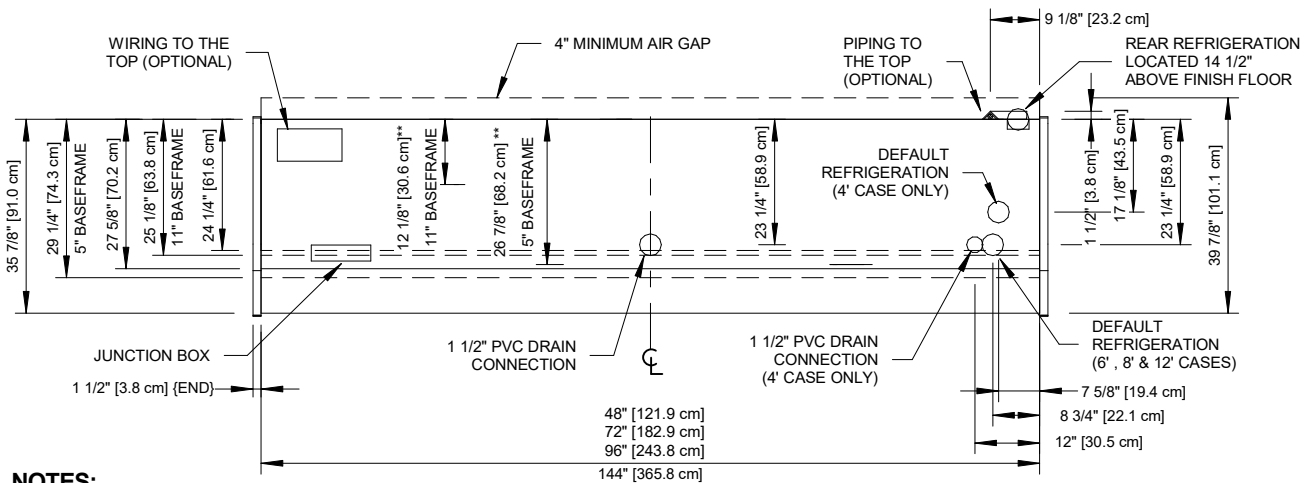
4', 6', 8' & 12' High Multi-Deck Merchandiser with Synerg-E™
Deli / Meat / Seafood



11" BASEFRAME



5" BASEFRAME



NOTES:

- * : STUB-UP AREA
- ** : RECOMMENDED STUB-UP CENTERLINE FOR ELECTRICAL AND DRAINS
- Ⓛ : AVAILABLE SHELF SIZES: 16" & 18" Articulating or 10", 12", 14", 16", 18" & 20" Standard;(5) ROWS OF SHELVES MAX

- Ends add approximately 1" to case height, 1/2" to the back & 1" to the front
- Back panels add approximately 1" to the rear of the case.



ONHMH-NRG

ALL MEASUREMENTS ARE TAKEN PER ASHRAE-72 SPECIFICATIONS. HILLPHOENIX REFRIGERATED DISPLAY CASES FOR SALE IN THE UNITED STATES MEET OR EXCEED DEPARTMENT OF ENERGY 2017 REQUIREMENTS.

Rev. Date	Rev. #	Rev. Title
07-15-21	9	ENDVIEW UPDATE
09-25-19	8	OPTIONS UPDATE

