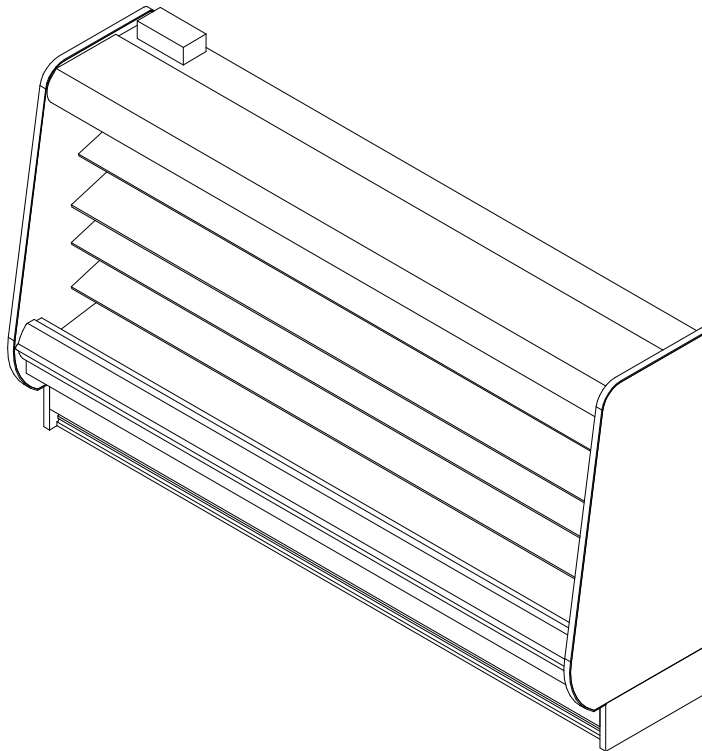


ONHPH

4', 6', 8' & 12' High Narrow Multi-Deck Merchandiser
Bulk Produce / Bakery / Dairy / Cut Produce

GENERAL NOTES:

- "---" indicates that the feature is not an option with this case model and/or the data is not yet available.
- LED lights only.



SHIPPING WEIGHT	
Case	Weight
ONHPH-NRG	---



ALL MEASUREMENTS ARE TAKEN PER ASHRAE-72 SPECIFICATIONS. HILLPHOENIX REFRIGERATED DISPLAY CASES FOR SALE IN THE UNITED STATES MEET OR EXCEED DEPARTMENT OF ENERGY 2017 REQUIREMENTS.

ONHPH

Rev. Date	Rev. #	Rev. Title
07-15-21	7	ENDVIEW UPDATE
09-25-19	6	OPTIONS UPDATE



ELECTRICAL DATA			
Case Length	Fans Per Case	High Efficiency Fans	
		120 Volt	
		Amps	Watts
4'	2	0.47	28.0
6'	3	0.70	42.0
8'	4	0.93	56.0
12'	5	1.17	70.0

LIGHTING DATA					
Case Length	Lights per row	Clearvoyant v4 LED Lighting (Per Light Row)			
		Standard Power (Cornice or Shelf)		High Power (Cornice Only)	
		120 Volts		120 Volts	
		Amps	Watts	Amps	Watts
4'	1	0.05	5.9	0.12	14.9
6'	2	0.08	9.4	0.20	23.8
8'	2	0.10	11.8	0.25	29.9
12'	3	0.15	17.6	0.37	44.8

GUIDELINES AND CONTROL SETTINGS						
Application	BTUH/ft		Superheat Set Point @ Bulb (°F)	Evaporator (°F)	Discharge Air (°F)	Discharge Air Velocity (FPM)
	Conventional	Parallel				
Bakery/Dairy/Cut Produce	1305	1210	6 - 8	26	34	330
Bulk Produce	890	825	6 - 8	29	37	230

DEFROST CONTROLS			
Defrosts Per Day	Run Off Time (Min)	Timed-Off Defrost	
		Fail-Safe (Min)	Termination Temp (F)
3	6 - 8	45	47

NOTES:

- "—" indicates that the feature is not an option with this case model and/or the data is not yet available.
- Listed BTUH/ft data represent unlighted shelves. For LED lighting, add 9 BTUH/ft per row of lighted shelving.
- Listed discharge air velocity represents the average velocity immediately after defrost.
- Temperature and defrost settings listed above are recommended start-up settings. Final operational settings may need to be adjusted for the store conditions in which the case operates.
- The recommended evaporator temperatures may need to be adjusted based on system setup, store conditions, etc. The minimum recommended evaporator temperature is 4°F below the listed evaporator temperature.



ALL MEASUREMENTS ARE TAKEN PER ASHRAE-72 SPECIFICATIONS. HILLPHOENIX REFRIGERATED DISPLAY CASES FOR SALE IN THE UNITED STATES MEET OR EXCEED DEPARTMENT OF ENERGY 2017 REQUIREMENTS.

ONHPH

Rev. Date	Rev. #	Rev. Title
07-15-21	7	ENDVIEW UPDATE
09-25-19	6	OPTIONS UPDATE



A DOVER COMPANY

ONHPH

4', 6', 8' & 12' High Narrow Multi-Deck Merchandiser
Bulk Produce / Bakery / Dairy / Cut Produce

SECOND NATURE DATA								
Case Model	No. of Coils	Application	Front Sill height	BTUH/FT		GPM/ft (DR)	Supply Fluid Temp (°F)	Discharge Air Temp (°F)
				Conventional	Parallel			
ONHPH	1	Cut Produce	Standard	1305	1210	0.50	20	34
ONHPH	1	Bulk Produce	Standard	890	825	0.18	20	37

SECOND NATURE DATA									
Case Model	No. of Coils	Application	Front Sill height	Supply Fluid Temp (°F)	No. of Defrost	Timed-Off Defrost		Warm Fluid Defrost	
						Fail-Safe (Min)	Termination Temp (°F)	Fail-Safe (Min)	Termination Temp (°F)
ONHPH	1	Cut Produce	Standard	20	3	60	47	26	49
ONHPH	1	Bulk Produce	Standard	20	3	60	47	26	49

NOTES:

- Front sill height and overall case height varies with base frame height.



ALL MEASUREMENTS ARE TAKEN PER ASHRAE-72 SPECIFICATIONS. HILLPHOENIX REFRIGERATED DISPLAY CASES FOR SALE IN THE UNITED STATES MEET OR EXCEED DEPARTMENT OF ENERGY 2017 REQUIREMENTS.

ONHPH

Rev. Date	Rev. #	Rev. Title
07-15-21	7	ENDVIEW UPDATE
09-25-19	6	OPTIONS UPDATE



A DOVER COMPANY

CORNICHE OPTIONS	CURVED CORNICHE	CURVED CORNICHE WITH NIGHT COVER	FACETED CORNICHE	FACETED CORNICHE WITH NIGHT COVER	FLAT CORNICHE	FLAT CORNICHE WITH STANDARD NIGHT COVER	
	27 5/8" 	30 7/8" 	27 1/2" 	30 3/4" 	26 3/4" 	29 3/8" 	
FRONT OPTIONS	FLAT FRONT 2	STANDARD FRONT 28 1/8" [71.5 cm] 11" BASEFRAME	STANDARD FRONT 22 3/8" [56.7 cm] 9" BASEFRAME	EXTENDED STANDARD FRONT 33 1/8" [84.0 cm] 11" BASEFRAME	EXTENDED STANDARD FRONT 27" [68.6 cm] 9" BASEFRAME	6" THERMOPANE FRONT 33 3/8" [84.9 cm] 11" BASEFRAME	6" THERMOPANE FRONT 27 3/8" [69.5 cm] 9" BASEFRAME
	FLAT FRONT	STANDARD FRONT 27" [68.7 cm] 11" BASEFRAME	STANDARD FRONT 21 1/8" [53.8 cm] 9" BASEFRAME	EXTENDED STANDARD FRONT 30" [76.2 cm] 11" BASEFRAME	EXTENDED STANDARD FRONT 24 1/8" [61.3 cm] 9" BASEFRAME	6" THERMOPANE FRONT 33 1/8" [84.1 cm] 11" BASEFRAME	6" THERMOPANE FRONT 27 1/4" [69.1 cm] 9" BASEFRAME
	CLASSIC 2 METAL	STANDARD FRONT 27" [68.7 cm] 11" BASEFRAME	STANDARD FRONT 21 1/8" [53.7 cm] 9" BASEFRAME	EXTENDED STANDARD FRONT 30" [76.2 cm] 11" BASEFRAME	EXTENDED STANDARD FRONT 24 1/8" [61.3 cm] 9" BASEFRAME	6" THERMOPANE FRONT 33 1/8" [84.2 cm] 11" BASEFRAME	6" THERMOPANE FRONT 27 1/4" [69.3 cm] 9" BASEFRAME
	CLASSIC 2 POLYMER	STANDARD FRONT 27" [68.7 cm] 11" BASEFRAME	STANDARD FRONT 21 1/8" [53.7 cm] 9" BASEFRAME	EXTENDED STANDARD FRONT 30" [76.2 cm] 11" BASEFRAME	EXTENDED STANDARD FRONT 24 1/8" [61.3 cm] 9" BASEFRAME	6" THERMOPANE FRONT 33 1/8" [84.2 cm] 11" BASEFRAME	6" THERMOPANE FRONT 27 1/4" [69.3 cm] 9" BASEFRAME
	ORIGIN 2	STANDARD FRONT 27" [68.7 cm] 11" BASEFRAME	STANDARD FRONT 21 1/8" [53.8 cm] 9" BASEFRAME	EXTENDED STANDARD FRONT 30" [76.2 cm] 11" BASEFRAME	EXTENDED STANDARD FRONT 24 1/8" [61.3 cm] 9" BASEFRAME	6" THERMOPANE FRONT 33 1/8" [84.2 cm] 11" BASEFRAME	6" THERMOPANE FRONT 27 1/4" [69.3 cm] 9" BASEFRAME

NOTES:

- Front sill height and overall case height varies with base frame height.



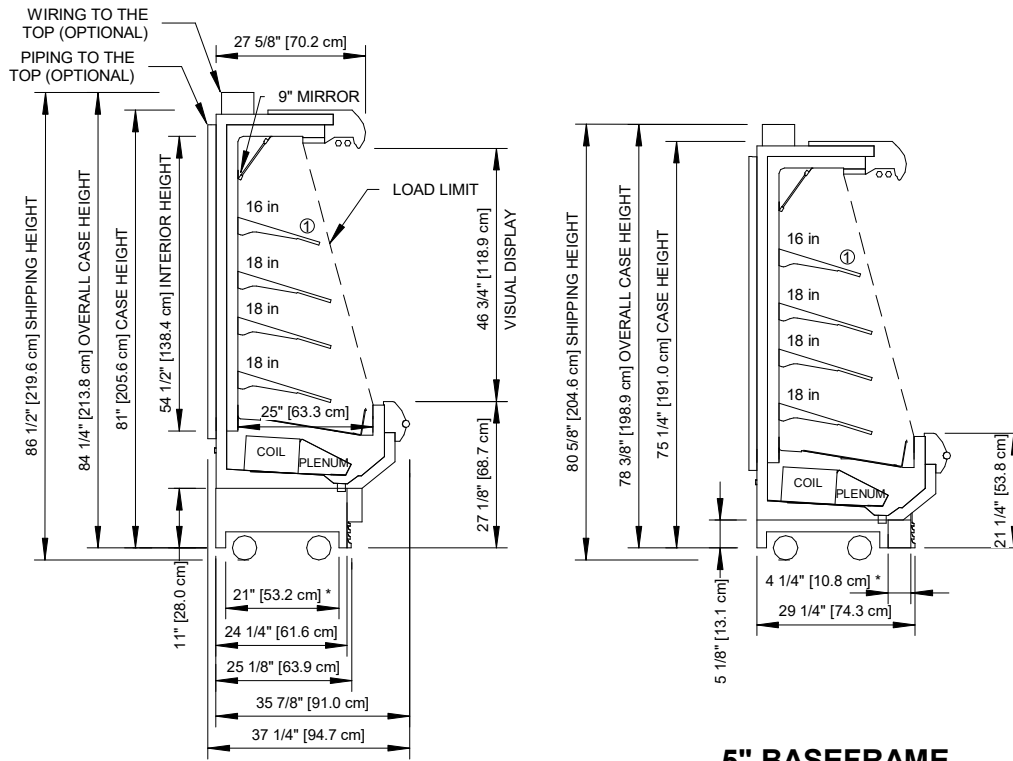
ALL MEASUREMENTS ARE TAKEN PER ASHRAE-72 SPECIFICATIONS. HILLPHOENIX REFRIGERATED DISPLAY CASES FOR SALE IN THE UNITED STATES MEET OR EXCEED DEPARTMENT OF ENERGY 2017 REQUIREMENTS.

ONHPH

Rev. Date	Rev. #	Rev. Title
07-15-21	7	ENDVIEW UPDATE
09-25-19	6	OPTIONS UPDATE

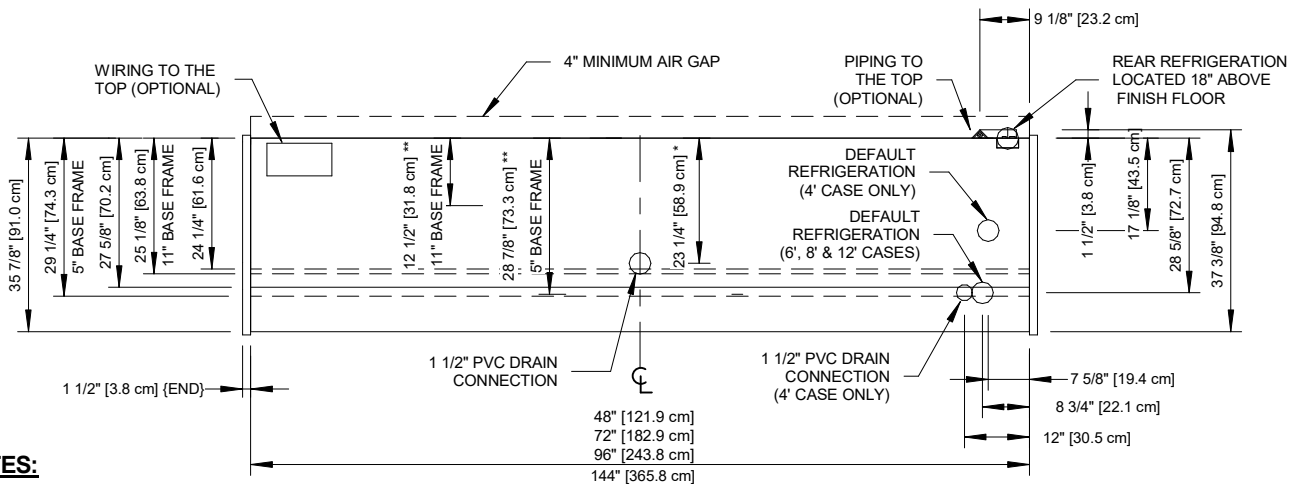


A DOVER COMPANY



11" BASEFRAME

5" BASEFRAME



NOTES:

* : STUB-UP AREA

** : RECOMMENDED STUB-UP CENTERLINE FOR ELECTRICAL AND DRAINS

①: AVAILABLE SHELF SIZES: 16", 18", & 20" Articulating or 14", 16", 18", 20", 22" & 24" Standard; (5) ROWS OF SHELVES MAX.

- Ends add approximately 1" to case height, 1/2" to the back & 1" to the front
- Back panels add approximately 1" to the rear of the case.



ONHPH

ALL MEASUREMENTS ARE TAKEN PER ASHRAE-72 SPECIFICATIONS. HILLPHOENIX REFRIGERATED DISPLAY CASES FOR SALE IN THE UNITED STATES MEET OR EXCEED DEPARTMENT OF ENERGY 2017 REQUIREMENTS.

Rev. Date	Rev. #	Rev. Title
07-15-21	7	ENDVIEW UPDATE
09-25-19	6	OPTIONS UPDATE

