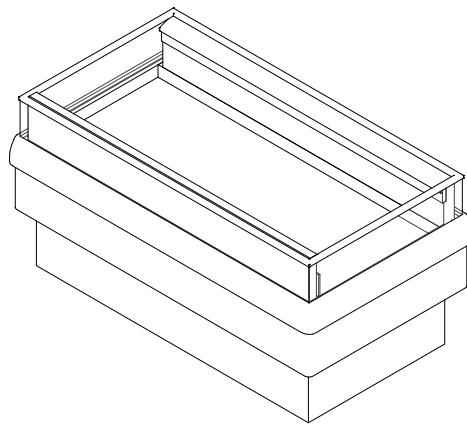


GENERAL NOTES

- "---" indicates that the feature is not an option on this case model and/or data is not yet available.



SHIPPING WEIGHT	
Case	Weight
ONIZGGA	---



ALL MEASUREMENTS ARE TAKEN PER ASHRAE-72 SPECIFICATIONS. HILLPHOENIX REFRIGERATED DISPLAY CASES FOR SALE IN THE UNITED STATES MEET OR EXCEED DEPARTMENT OF ENERGY 2017 REQUIREMENTS.

ONIZGGA

Rev. Date	Rev. #	Rev. Title
04-14-22	4	DATA UPDATE
01-07-21	3	DATA UPDATE

SYSTEM REQUIREMENTS

Case Length	Volts	Phase	Frequency (Hz)	Plug	Minimum Circuit Ampacity	Maximum Overcurrent Protection
5'	208	1	60	NEMA L14-30	23.7	30
6'	208	1	60	NEMA L14-30	23.7	30
6'	220	1	50	NEMA L14-30	26.8	30

ELECTRICAL DATA

Case Length	Fans Per Case	Frequency (Hz)	High Efficiency Fans			Anti Condensate Heaters			Drain Pan		
			Volts	Amps	Watts	Volts	Amps	Watts	Volts	Amps	Watts
5'	2	60	120	0.20	14.8	120	1.80	220	208	7.2	1500.0
6'	2	60	120	0.20	14.8	120	1.80	220	208	7.2	1500.0
6'	2	50	220	0.40	88.0	220	1.60	352	220	6.8	1500.0

GUIDELINES AND CONTROL DATA

Case Length	Frequency (Hz)	24hr Energy Usage (kWh)	Suction Pressure @ Case Outlet (psig)	Superheat Set Point @ Bulb (°F)	Discharge Air (°F)	Discharge Air Velocity (FPM)
5'	60	18.6	14	5	-16	135
6'	60	22.4	14	5	-16	135
6'	50	27.5	14	5	-16	135

CONDENSING UNIT DATA

Case Length	Volts	Phase	Frequency (Hz)	Horsepower	Running Load Amps (RLA) (Amps)	Locked Rotor Amps (LRA) (Amps)	Refrigerant	Lbs. of Refrigerant (Lbs)
5'	208	1	60	3/4	10.0	51.0	R448A	4.59
6'	208	1	60	3/4	10.0	51.0	R448A	4.59
6'	220	1	50	1/2	10.0	51.0	R404A	4.59

DEFROST CONTROLS

Frequency (Hz)	Defrosts Per Day	Electric Defrost	
		Fail-Safe (Min)	Termination Temp (°F)
60	2	75	50
50	3	75	60

NOTES

- "---" indicates that the feature is not an option on this case model and/or data is not yet available.
- Listed discharge air velocity represents the average velocity at the peak of defrost.
- Temperature and defrost settings listed below are recommended start-up settings.
- Final operational settings may need to be adjusted for the store conditions in which the case operates.
- 50Hz is Low Temp only.

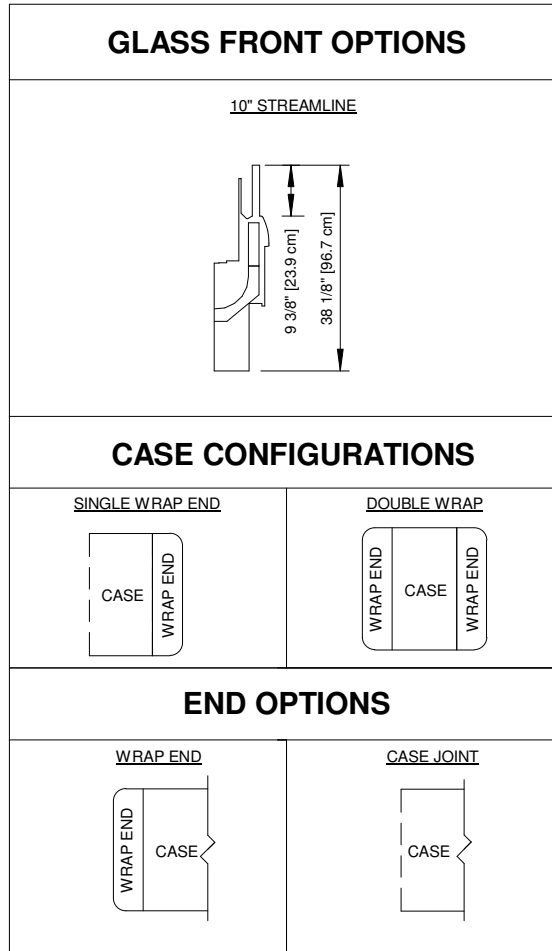


ALL MEASUREMENTS ARE TAKEN PER ASHRAE-72 SPECIFICATIONS. HILLPHOENIX REFRIGERATED DISPLAY CASES FOR SALE IN THE UNITED STATES MEET OR EXCEED DEPARTMENT OF ENERGY 2017 REQUIREMENTS.

ONIZGGA

Rev. Date	Rev. #	Rev. Title
04-14-22	4	DATA UPDATE
01-07-21	3	DATA UPDATE

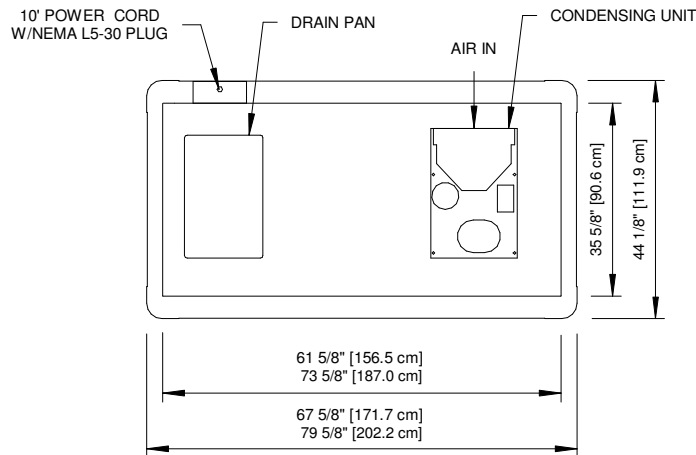
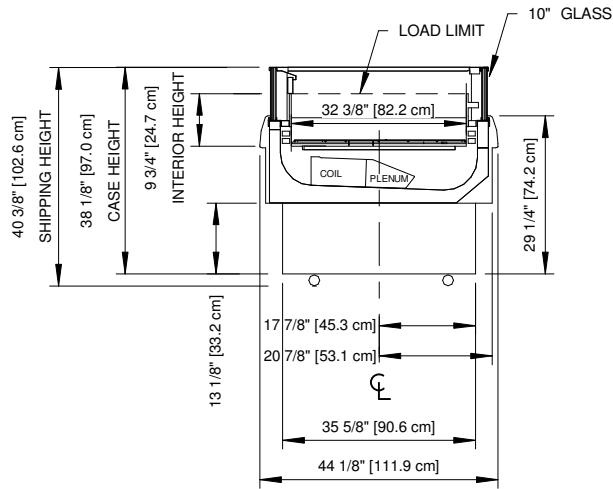
Hillphoenix
A DOVER COMPANY



ALL MEASUREMENTS ARE TAKEN PER ASHRAE-72 SPECIFICATIONS. HILLPHOENIX REFRIGERATED DISPLAY CASES FOR SALE IN THE UNITED STATES MEET OR EXCEED DEPARTMENT OF ENERGY 2017 REQUIREMENTS.

ONIZGGA

Rev. Date	Rev. #	Rev. Title
04-14-22	4	DATA UPDATE
01-07-21	3	DATA UPDATE



NOTES

- * :STUB-UP AREA:
- ** :RECOMMENDED STUP-UP CENTER LINE FOR ELECTRICAL AND HUB DRAINS
- Front and rear sill heights vary with base frame height.



ALL MEASUREMENTS ARE TAKEN PER ASHRAE-72 SPECIFICATIONS. HILLPHOENIX REFRIGERATED DISPLAY CASES FOR SALE IN THE UNITED STATES MEET OR EXCEED DEPARTMENT OF ENERGY 2017 REQUIREMENTS.

ONIZGGA

Rev. Date	Rev. #	Rev. Title
04-14-22	4	DATA UPDATE
01-07-21	3	DATA UPDATE