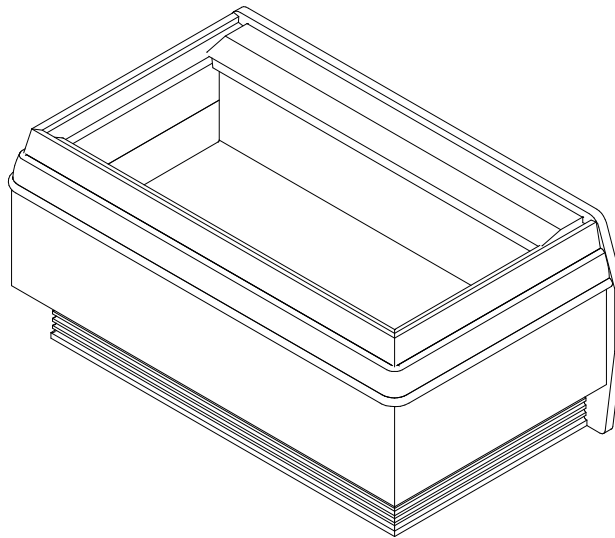


**GENERAL NOTES:**

- "-" - "-" Indicates that the feature is not an option on this case model and/or the data is not yet available at this time.



SHIPPING WEIGHT	
Case	Weight
OWEZ	---



ENGINEERED FOR STORES WITH AMBIENT CONDITIONS NOT TO EXCEED 75° AND 55% RELATIVE HUMIDITY. DUE TO ENGINEERING IMPROVEMENTS SPECIFICATIONS MAY CHANGE WITHOUT NOTICE. ALL MEASUREMENTS ARE TAKEN PER ASHRAE-72-2005 SPECIFICATIONS. HILLPHOENIX REFRIGERATED DISPLAY CASES FOR SALE IN THE UNITED STATES MEET OR EXCEED DEPARTMENT OF ENERGY 2017 REQUIREMENTS. NUMBERS ARE BASED ON STANDARD CASE SIZES. CONSULT ENGINEERING.

**OWEZ**

Rev. Date	Rev. #	Rev. Title
8-20-18	2	NEW STANDARDS
12-1-17	1	DOE 2017

ELECTRICAL DATA								
Fans Per Case	High Efficiency Fans		Drain Heater		Defrost Heaters			
	120 Volt		120 Volts		208 Volts		240 Volts	
	Amps	Watts	Amps	Watts	Amps	Watts	Amps	Watts
2	0.30	17	0.13	15	8.65	1800	9.98	2394

ANTI CONDENSATE DATA					
Solid Front		Glass Front		Stainless Steel Glass Cap	
120 Volts		120 Volts		120 Volts	
Amps	Watts	Amps	Watts	Amps	Watts
0.42	51.0	1.96	235.0	0.51	61.0

GUIDELINES AND CONTROL SETTINGS											
Application	BTUH/case				Superheat Set Point @ Bulb (°F)	Evaporator (°F)		Discharge Air (°F)		Discharge Air Velocity (FPM)	
	Solid Front		Glass Front			Solid Front	Glass Front	Solid Front	Glass Front	Solid Front	Glass Front
	Conventional	Parallel	Conventional	Parallel							
Frozen Food	1726	1689	2769	2663	3 - 5	- 10	- 12	- 6	- 6	110	200
Ice Cream	1956	1900	3429	3298	3 - 5	- 22	- 22	- 17	- 16	110	200
Medium	1038	1008	2196	2150	6 - 8	28	27	31	27	110	200

DEFROST CONTROLS							
Application	Defrosts Per Day	Electric Defrost			Hot Gas Defrost		
		Fail Safe (Min)	Termination Temp (°F)	Run Off Time (Min)	Fail Safe (Min)	Termination Temp (°F)	Run Off Time (Min)
Medium	1	60	48	5	20	60	13 - 15
Frozen Food/Ice Cream	1	35	48	---	10	60	---

**NOTES:**

- Listed discharge air velocity represents the average velocity at the peak of defrost.
- Temperature and defrost settings listed above are recommended start-up settings. Final operational settings may need to be adjusted for the store conditions in which the case operates.
- The recommended evaporator temperatures may need to be adjusted based on system setup, store conditions, etc. The minimum recommended evaporator temperature is 4°F below the listed evaporator temperature.
- "- - -" Indicates that the feature is not an option on this case model and/or the data is not yet available at this time.

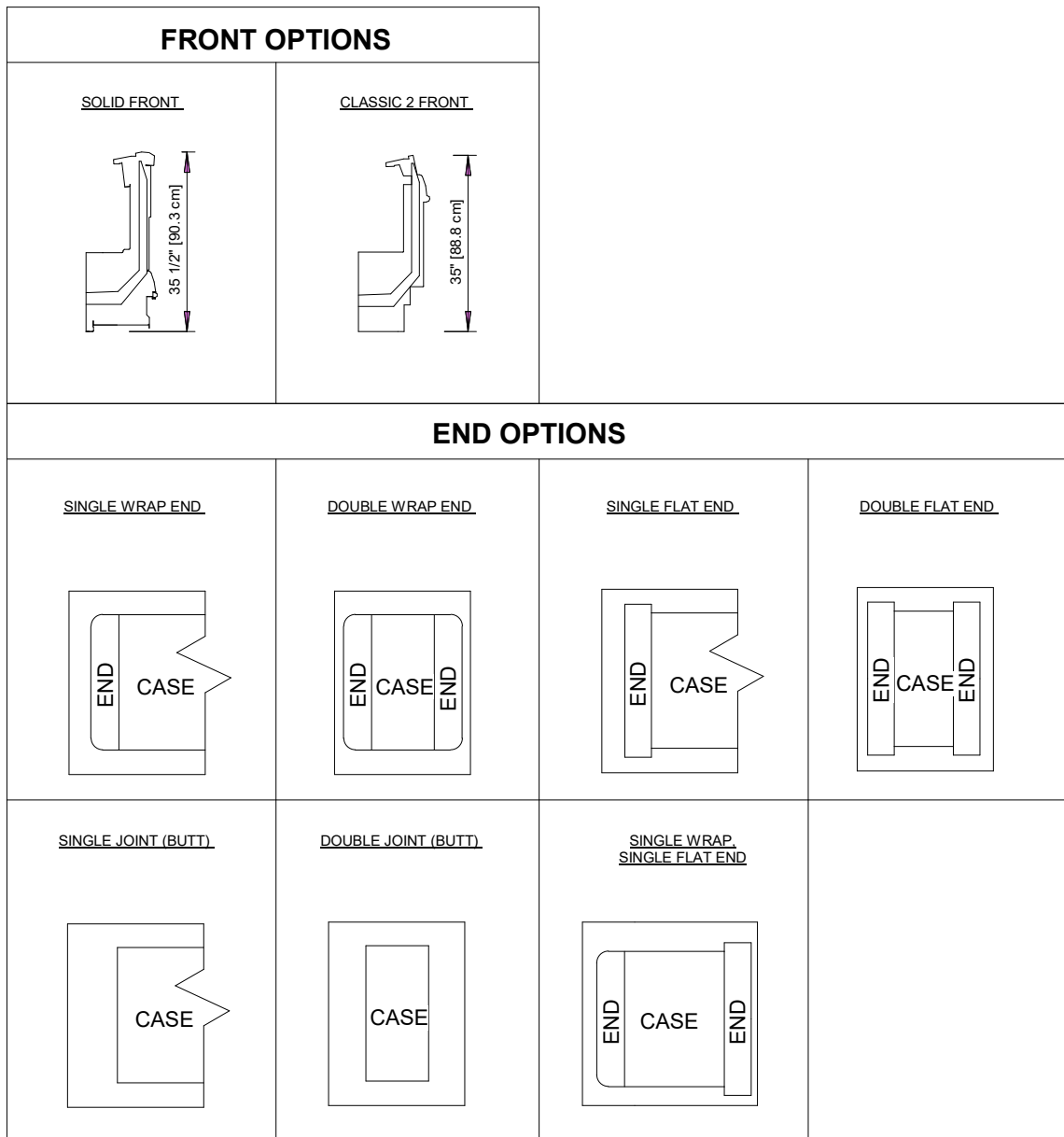


ENGINEERED FOR STORES WITH AMBIENT CONDITIONS NOT TO EXCEED 75° AND 55% RELATIVE HUMIDITY. DUE TO ENGINEERING IMPROVEMENTS SPECIFICATIONS MAY CHANGE WITHOUT NOTICE. ALL MEASUREMENTS ARE TAKEN PER ASHRAE-72-2005 SPECIFICATIONS. HILLPHOENIX REFRIGERATED DISPLAY CASES FOR SALE IN THE UNITED STATES MEET OR EXCEED DEPARTMENT OF ENERGY 2017 REQUIREMENTS. NUMBERS ARE BASED ON STANDARD CASE SIZES. CONSULT ENGINEERING.

**OWEZ**

Rev. Date	Rev. #	Rev. Title
8-20-18	2	NEW STANDARDS
12-1-17	1	DOE 2017





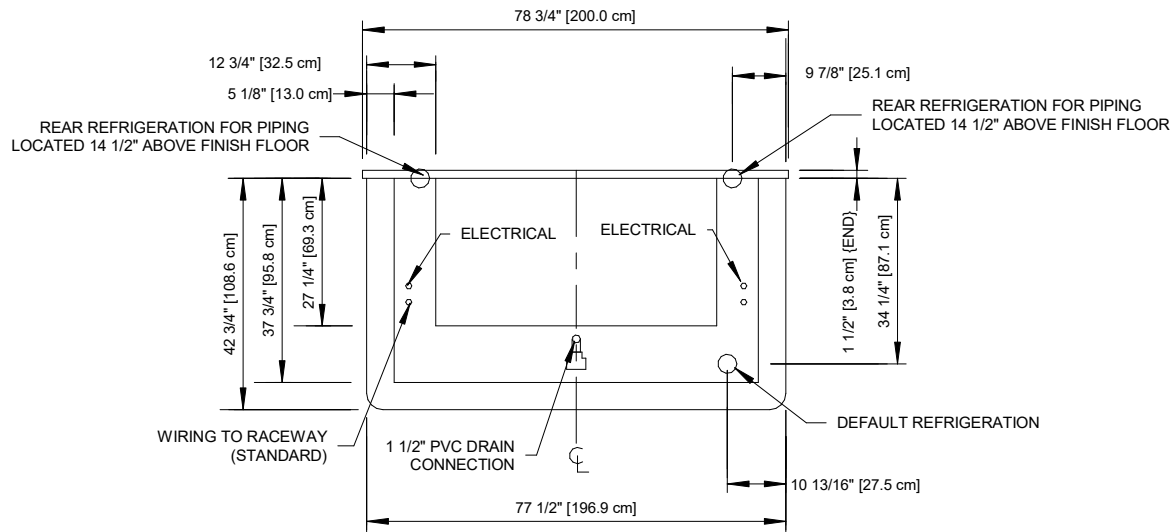
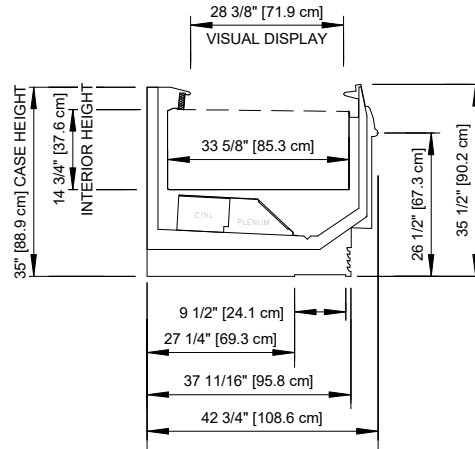
COMPONENT

ALL MEASUREMENTS ARE TAKEN PER ASHRAE-72-2005 SPECIFICATIONS. HILLPHOENIX REFRIGERATED DISPLAY CASES FOR SALE IN THE UNITED STATES MEET OR EXCEED DEPARTMENT OF ENERGY 2017 REQUIREMENTS.

OWEZ

Rev. Date	Rev. #	Rev. Title
8-20-18	2	NEW STANDARDS
12-1-17	1	DOE 2017

**Hillphoenix**  
A DOVER COMPANY



### NOTES:

- \* : STUB-UP AREA
- \*\* : RECOMMENDED SETUP-CENTERLINE FOR ELECTRICAL AND HUB DRAINS

• Ends add approximately 1" to case height, 1" to the front and 1/2" to the back.



ALL MEASUREMENTS ARE TAKEN PER ASHRAE-72-2005 SPECIFICATIONS. HILLPHOENIX REFRIGERATED DISPLAY CASES FOR SALE IN THE UNITED STATES MEET OR EXCEED DEPARTMENT OF ENERGY 2017 REQUIREMENTS.

### OWEZ

Rev. Date	Rev. #	Rev. Title
8-20-18	2	NEW STANDARDS
12-1-17	1	DOE 2017

### Hillphoenix

A DOVER COMPANY