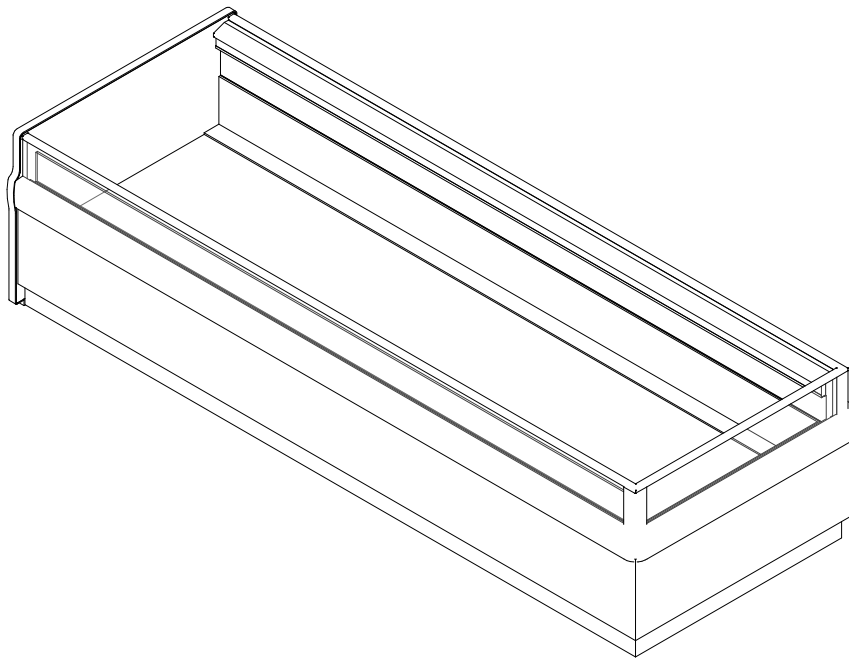


GENERAL NOTES

- "---" indicates the feature is not an option for this model and/or the data is not yet available.



SHIPPING WEIGHT	
Case	Weight
OWZGG	---



COMPONENT

ALL MEASUREMENTS ARE TAKEN PER ASHRAE-72 SPECIFICATIONS. HILLPHOENIX REFRIGERATED DISPLAY CASES FOR SALE IN THE UNITED STATES MEET OR EXCEED DEPARTMENT OF ENERGY 2017 REQUIREMENTS.

OWZGG

Rev. Date	Rev. #	Rev. Title
01-08-24	7	DATA UPDATE
10-21-22	6	DATA UPDATE

ELECTRICAL DATA									
Case Length	Fans Per Case	High Efficiency Fans		Anti Condensate Heaters		Defrost Heaters			
		120 Volt		120 Volts		208 Volts		240 Volts	
		Amps	Watts	Amps	Watts	Amps	Watts	Amps	Watts
6'	2	0.12	9.0	1.78	213	5.77	1200	6.66	1598
8'	2	0.12	9.0	2.05	246	7.69	1600	8.87	2130
10'	3	0.18	14.0	2.44	293	9.62	2000	11.10	2663
12'	3	0.18	14.0	2.61	313	11.54	2400	13.31	3195

GUIDELINES AND CONTROL SETTINGS					
BTUH/ft		Superheat Set Point @ Bulb (°F)	Evaporator (°F)	Discharge Air (°F)	Discharge Air Velocity (FPM)
Conventional	Parallel				
543	496	3 - 5	-22	-15	205

DEFROST CONTROLS					
Defrosts Per Day	Run Off Time (Min)	Electric Defrost		Hot Gas Defrost	
		Fail Safe (Min)	Termination Temp (°F)	Fail Safe (Min)	Termination Temp (°F)
3	5	50	45	20	60

NOTES:

- "----" indicates the feature is not an option for this model and/or the data is not yet available.
- Listed discharge air velocity represents the average velocity immediately after defrost completion using a Testo 410i vane anemometer with anemometer air scoop (HP part number P109185M) positioned adjacent to the interior edge of the discharge honeycomb.
- Temperature and defrost settings listed above are recommended start-up settings. Final operational settings may need to be adjusted for the store conditions in which the case operates.
- The recommended evaporator temperatures may need to be adjusted based on system setup, store conditions, etc. The minimum recommended evaporator temperature is 4°F below the listed evaporator temperature.
- Discharge air temperature values represent readings taken within the upper air channel immediately behind/upstream of the honeycomb.
- For optimal defrost performance, it is recommended to close both the liquid line and suction line during defrost. Published defrost data are based upon this configuration. Parameter changes may be required if alternative control methods are used.

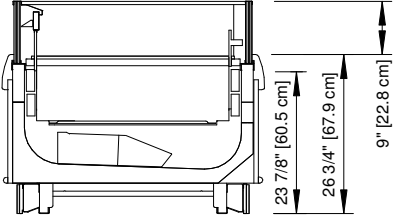
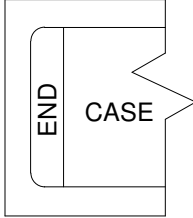
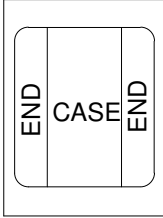
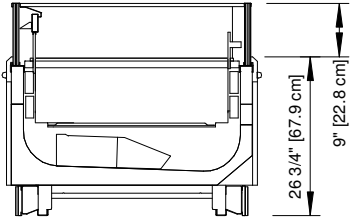
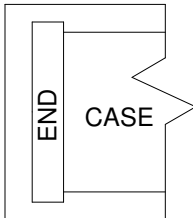
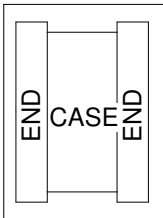
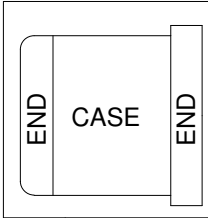
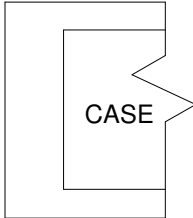
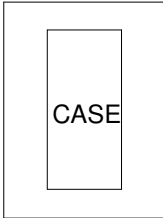


OWZGG

ALL MEASUREMENTS ARE TAKEN PER ASHRAE-72 SPECIFICATIONS. HILLPHOENIX REFRIGERATED DISPLAY CASES FOR SALE IN THE UNITED STATES MEET OR EXCEED DEPARTMENT OF ENERGY 2017 REQUIREMENTS.

Rev. Date	Rev. #	Rev. Title
01-08-24	7	DATA UPDATE
10-21-22	6	DATA UPDATE



GLASS FRONT OPTIONS	END OPTIONS	
<p><u>10" GLASS STREAMLINE FRONT</u></p> 	<p><u>SINGLE WRAP END</u></p> 	<p><u>DOUBLE WRAP END</u></p> 
<p><u>10" GLASS FLAT FRONT</u></p> 	<p><u>SINGLE FLAT END</u></p> 	<p><u>DOUBLE FLAT END</u></p> 
<p><u>SINGLE WRAP, SINGLE FLAT END</u></p> 	<p><u>SINGLE JOINT (BUTT)</u></p> 	<p><u>DOUBLE JOINT (BUTT)</u></p> 

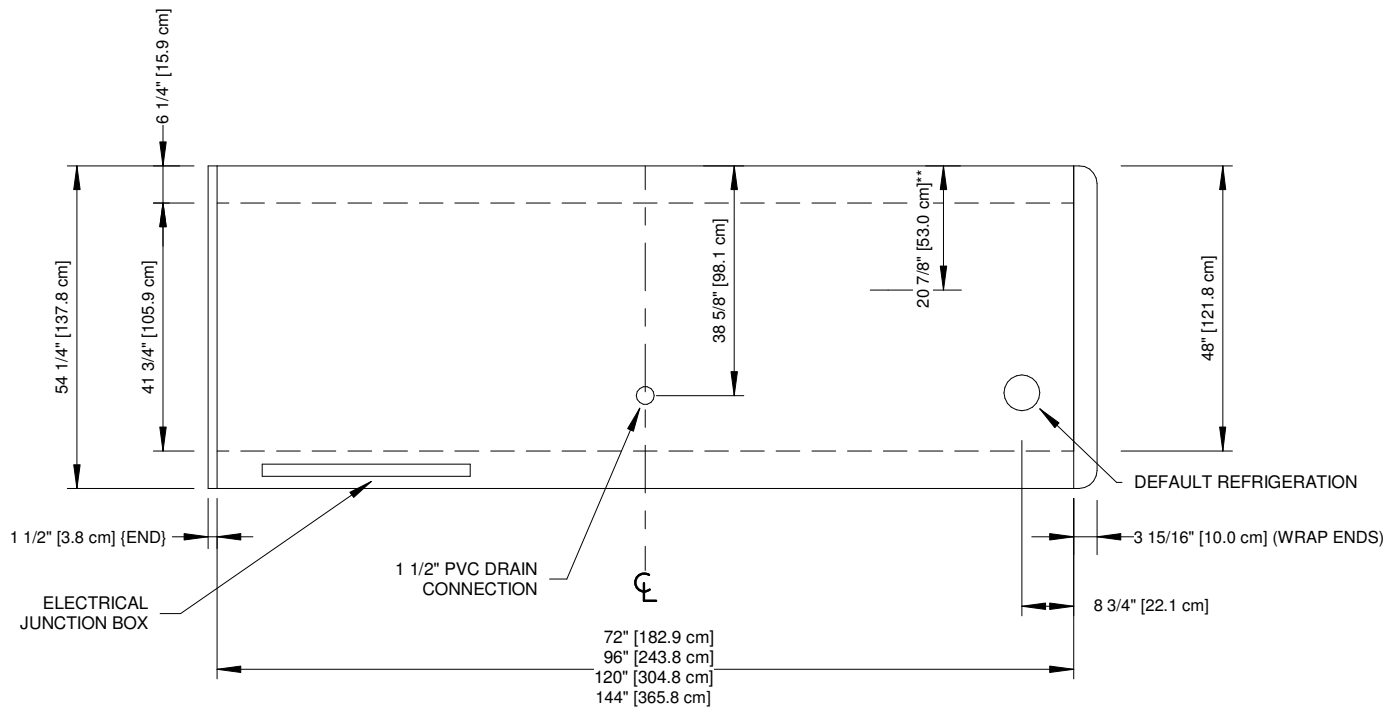
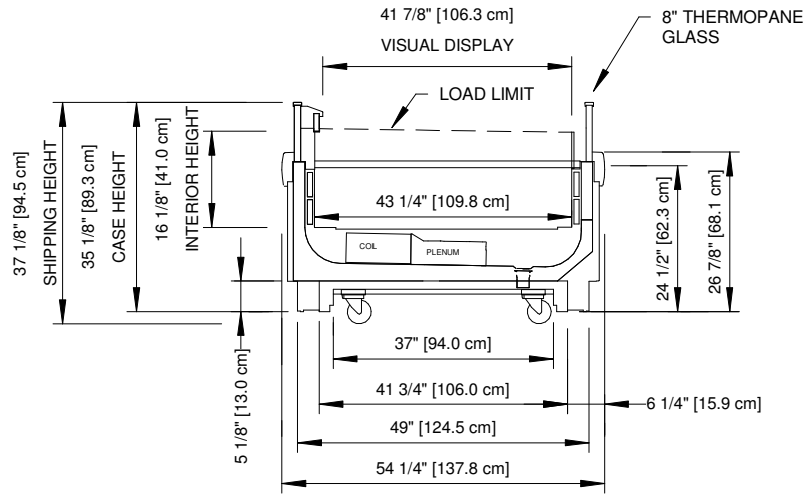


COMPONENT

ALL MEASUREMENTS ARE TAKEN PER ASHRAE-72 SPECIFICATIONS. HILLPHOENIX REFRIGERATED DISPLAY CASES FOR SALE IN THE UNITED STATES MEET OR EXCEED DEPARTMENT OF ENERGY 2017 REQUIREMENTS.

OWZGG

Rev. Date	Rev. #	Rev. Title
01-08-24	7	DATA UPDATE
10-21-22	6	DATA UPDATE



NOTES

- * :STUB-UP AREA
- ** :RECOMMENDED STUB-UP CENTERLINE FOR ELECTRICAL AND HUB DRAINS
- • End add approximately 1" to case height, 1" to the front & 1/2" to the back.



COMPONENT

OWZGG

ALL MEASUREMENTS ARE TAKEN PER ASHRAE-72 SPECIFICATIONS. HILLPHOENIX REFRIGERATED DISPLAY CASES FOR SALE IN THE UNITED STATES MEET OR EXCEED DEPARTMENT OF ENERGY 2017 REQUIREMENTS.

Rev. Date	Rev. #	Rev. Title
01-08-24	7	DATA UPDATE
10-21-22	6	DATA UPDATE