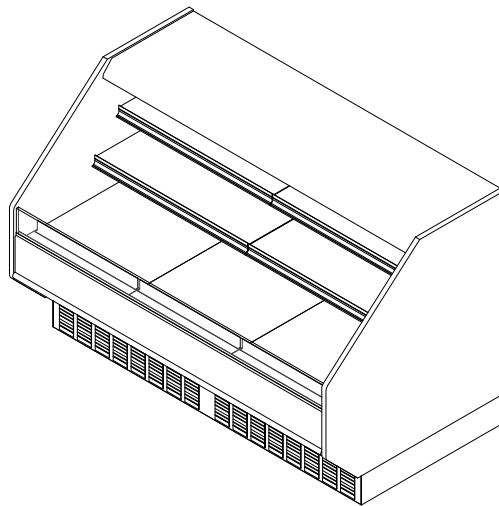


PF-48-SC

Self-Service Open Multi-Deck Merchandiser
4' & 6' (Bakery/Beverage/Cheese/Deli)

GENERAL NOTES:

- "---" Indicates that the feature is not an option on this case model and/or the data is not yet available at this time.



SHIPPING WEIGHT	
Case	Weight
PF-48-SC	---



ENGINEERED FOR STORES WITH AMBIENT CONDITIONS NOT TO EXCEED 75° AND 55% RELATIVE HUMIDITY. DUE TO ENGINEERING IMPROVEMENTS SPECIFICATIONS MAY CHANGE WITHOUT NOTICE. ALL MEASUREMENTS ARE TAKEN PER ASHRAE-72 SPECIFICATIONS. HILLPHOENIX REFRIGERATED DISPLAY CASES FOR SALE IN THE UNITED STATES MEET OR EXCEED DEPARTMENT OF ENERGY 2017 REQUIREMENTS. NUMBERS ARE BASED ON STANDARD CASE SIZES. CONSULT ENGINEERING.

PF-48-SC

Rev. Date	Rev. #	Rev. Title
03-15-22	2	DATA UPDATE
06-30-21	1	NEW STANDARDS



SYSTEM REQUIREMENTS					
Case Length	Volts	Phase	Total Amps	Minimum Circuit Ampacity	Maximum Overcurrent Protection
4'	120	1	20.26	25.3	45
6'	120/208	1	13.77	17.2	30

ELECTRICAL DATA												
Case Length	Fans Per Case	High Efficiency Fans		Anti-Condensate Fans		Drain Pumps		Evaporator Pan Heaters			Auxiliary Fans	
		120 Volts		120 Volts		120 Volts		Volts	Amps	Watts	120 Volts	
		Amps	Watts	Amps	Watts	Amps	Watts				Amps	Watts
4'	1	0.30	36	0.30	36	---	---	120	8.30	996	---	---
6'	2	0.60	72	0.30	36	---	---	208	4.80	998	0.30	36

LIGHTING DATA						
Case Length	Lights Per Row	Light Length	Clearvoyant 4 LED Lighting (Per Light Row)			
			Standard Power (Cornice or Shelf)		High Power (Cornice)	
			120 Volts		120 Volts	
			Amps	Watts	Amps	Watts
4'	1	4'	0.05	5.9	0.12	14.9
6'	2	3'	0.08	9.4	0.20	23.8

GUIDELINES AND CONTROL SETTINGS				
24hr Energy Usage (kWh/ft)	Suction Temperature @ Case Outlet (°F)	Superheat Set Point @ Bulb (°F)	Discharge Air (°F)	Discharge Air Velocity (FPM)
---	+20	8 - 10	28	200

CONDENSING UNIT DATA									
Case Length	Volts	Phase	HP	RLA (Amps)	LRA (Amps)	Refrig.	Condenser Fans		Lbs. of Refriger.
							Amps	Watts	
4'	120	1	1/2	9.25	54.50	404a	1.30	156	2.2
6'	208	1	1	6.20	40.00	404a	0.85	177	4.4

NOTES:

- "---" Indicates that the feature is not an option on this case model and/or the data is not yet available at this time.
- Listed discharge air velocity represents the average velocity at the peak of defrost.
- LRA - Locked Rotor Amps
- RLA - Running Load Amps



ENGINEERED FOR STORES WITH AMBIENT CONDITIONS NOT TO EXCEED 75° AND 55% RELATIVE HUMIDITY. DUE TO ENGINEERING IMPROVEMENTS SPECIFICATIONS MAY CHANGE WITHOUT NOTICE. ALL MEASUREMENTS ARE TAKEN PER ASHRAE-72 SPECIFICATIONS. HILLPHOENIX REFRIGERATED DISPLAY CASES FOR SALE IN THE UNITED STATES MEET OR EXCEED DEPARTMENT OF ENERGY 2017 REQUIREMENTS. NUMBERS ARE BASED ON STANDARD CASE SIZES. CONSULT ENGINEERING.

PF-48-SC

Rev. Date	Rev. #	Rev. Title
03-15-22	2	DATA UPDATE
06-30-21	1	NEW STANDARDS



DEFROST CONTROLS							
Defrosts Per Day	Run-Off Time (Min)	Electric Defrost		Timed-Off Defrost		Hot Gas Defrost	
		Fail-Safe (Min)	Termination Temp (°F)	Fail Safe (Min)	Termination Temp (°F)	Fail-Safe (Min)	Termination Temp (°F)
4	30	---	---	---	---	---	---



ENGINEERED FOR STORES WITH AMBIENT CONDITIONS NOT TO EXCEED 75° AND 55% RELATIVE HUMIDITY. DUE TO ENGINEERING IMPROVEMENTS SPECIFICATIONS MAY CHANGE WITHOUT NOTICE. ALL MEASUREMENTS ARE TAKEN PER ASHRAE-72 SPECIFICATIONS. HILLPHOENIX REFRIGERATED DISPLAY CASES FOR SALE IN THE UNITED STATES MEET OR EXCEED DEPARTMENT OF ENERGY 2017 REQUIREMENTS. NUMBERS ARE BASED ON STANDARD CASE SIZES. CONSULT ENGINEERING.

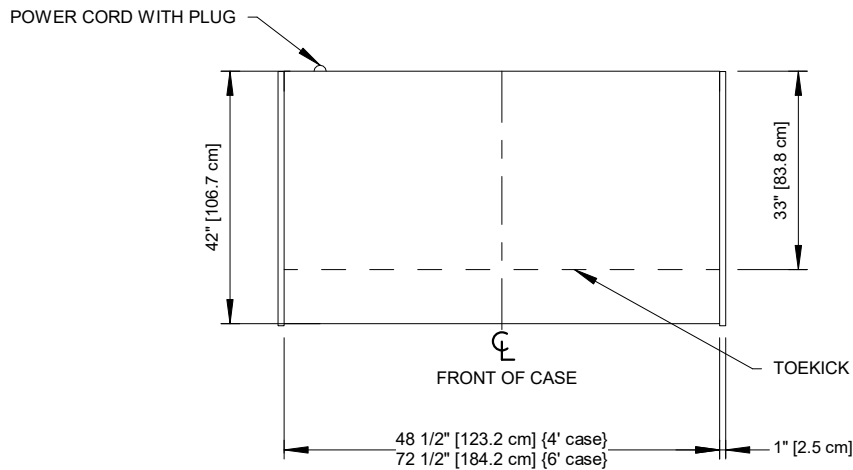
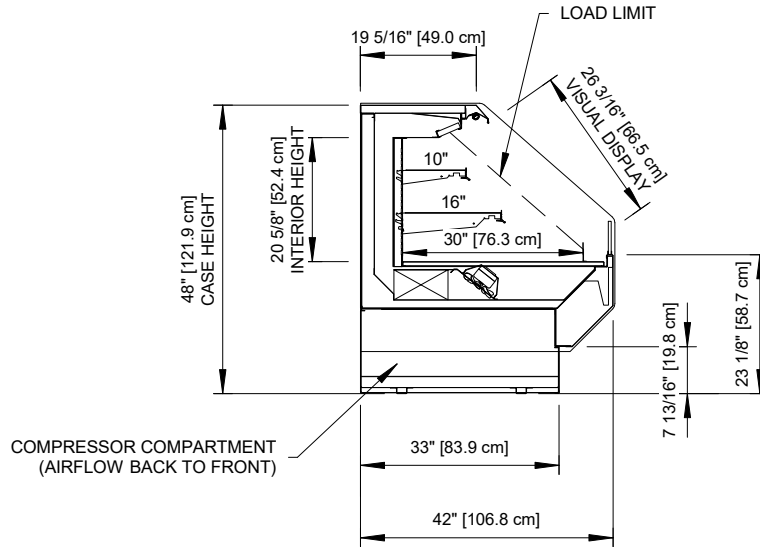
PF-48-SC

Rev. Date	Rev. #	Rev. Title
03-15-22	2	DATA UPDATE
06-30-21	1	NEW STANDARDS



PF-48-SC

Self-Service Open Multi-Deck Merchandiser
4' & 6' (Bakery/Beverage/Cheese/Deli)



2017
DOE
COMPLIANT



Intertek

Intertek

ENGINEERED FOR STORES WITH AMBIENT CONDITIONS NOT TO EXCEED 75° AND 55% RELATIVE HUMIDITY. DUE TO ENGINEERING IMPROVEMENTS SPECIFICATIONS MAY CHANGE WITHOUT NOTICE. ALL MEASUREMENTS ARE TAKEN PER ASHRAE-72 SPECIFICATIONS. HILLPHOENIX REFRIGERATED DISPLAY CASES FOR SALE IN THE UNITED STATES MEET OR EXCEED DEPARTMENT OF ENERGY 2017 REQUIREMENTS. NUMBERS ARE BASED ON STANDARD CASE SIZES. CONSULT ENGINEERING.

PF-48-SC

Rev. Date	Rev. #	Rev. Title
03-15-22	2	DATA UPDATE
06-30-21	1	NEW STANDARDS

Clearvoyant
LED SYSTEM

Hillphoenix
a DOVER company