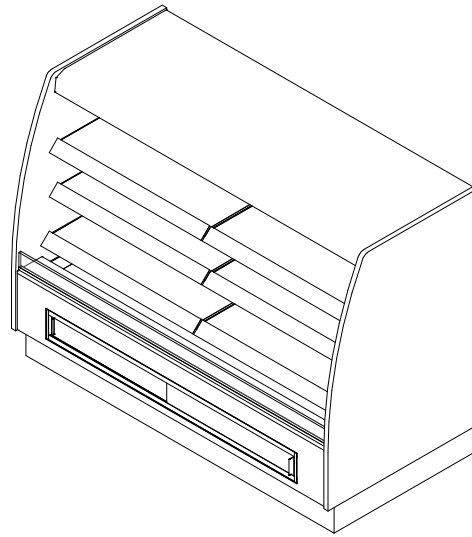


**GENERAL NOTES:**

- "----" Indicates that the feature is not an option on this case model and/or the data is not yet available at this time.



SHIPPING WEIGHT	
Case	Weight
PF-H-C	---



ENGINEERED FOR STORES WITH AMBIENT CONDITIONS NOT TO EXCEED 75° AND 55% RELATIVE HUMIDITY. DUE TO ENGINEERING IMPROVEMENTS SPECIFICATIONS MAY CHANGE WITHOUT NOTICE. ALL MEASUREMENTS ARE TAKEN PER ASHRAE-72 SPECIFICATIONS. NUMBERS ARE BASED ON STANDARD CASE SIZES. CONSULT ENGINEERING.

**PF-H-C**

Rev. Date	Rev. #	Rev. Title
10-02-23	9	ENDVIEW UPDATE
09-20-23	8	DATA UPDATE

SELF-SERVICE DATA													
Case Length	Shelves								Top Heaters		Total Amps (208-3-60)		
	First Shelf (Bottom)		Second Shelf (Middle)		Third Shelf (Middle)		Fourth Shelf (Top)		Qty	Watts (Each)	L1	L2	L3
	Qty	Watts (Each)	Qty	Watts (Each)	Qty	Watts (Each)	Qty	Watts (Each)					
4'	1	1153	1	1040	1	1040	1	925	1	1500	17.74	17.39	20.62
6'	2	845	2	763	---	---	2	680	2	1125	24.70	20.32	23.38

ELECTRICAL DATA			
Case Length	Heater Fans		
	Fans Per Case	208 Volts	
		Amps	Watts
4'	1	0.11	12
6'	2	0.22	24

LIGHTING DATA				
Case Length	Lights Per Row	Light Length	Fluorescent Lighting (Per Light Row)	
			Amps	Watts
4'	1	4'	0.05	5.9
6'	2	3'	0.08	9.4

**NOTES:**

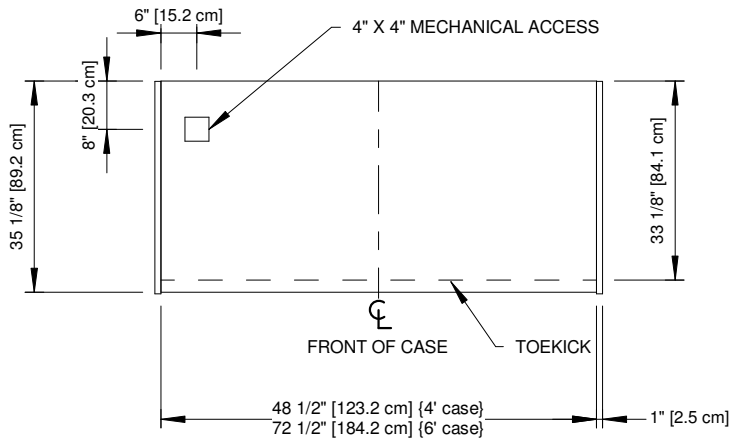
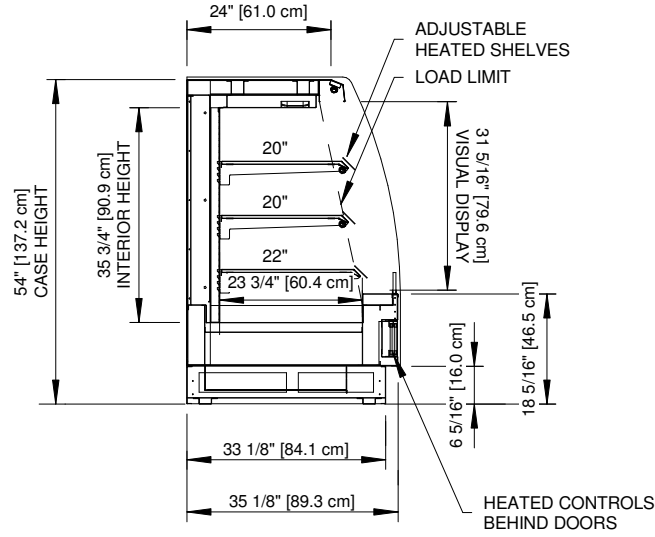
- "----" Indicates that the feature is not an option on this case model and/or the data is not yet available at this time.
- Lighting is not available on the bottom shelf.



ENGINEERED FOR STORES WITH AMBIENT CONDITIONS NOT TO EXCEED 75° AND 55% RELATIVE HUMIDITY. DUE TO ENGINEERING IMPROVEMENTS SPECIFICATIONS MAY CHANGE WITHOUT NOTICE. ALL MEASUREMENTS ARE TAKEN PER ASHRAE-72 SPECIFICATIONS. NUMBERS ARE BASED ON STANDARD CASE SIZES. CONSULT ENGINEERING.

## PF-H-C

Rev. Date	Rev. #	Rev. Title
10-02-23	9	ENDVIEW UPDATE
09-20-23	8	DATA UPDATE



ENGINEERED FOR STORES WITH AMBIENT CONDITIONS NOT TO EXCEED 75° AND 55% RELATIVE HUMIDITY. DUE TO ENGINEERING IMPROVEMENTS SPECIFICATIONS MAY CHANGE WITHOUT NOTICE. ALL MEASUREMENTS ARE TAKEN PER ASHRAE-72 SPECIFICATIONS. NUMBERS ARE BASED ON STANDARD CASE SIZES. CONSULT ENGINEERING.

## PF-H-C

Rev. Date	Rev. #	Rev. Title
10-02-23	9	ENDVIEW UPDATE
09-20-23	8	DATA UPDATE