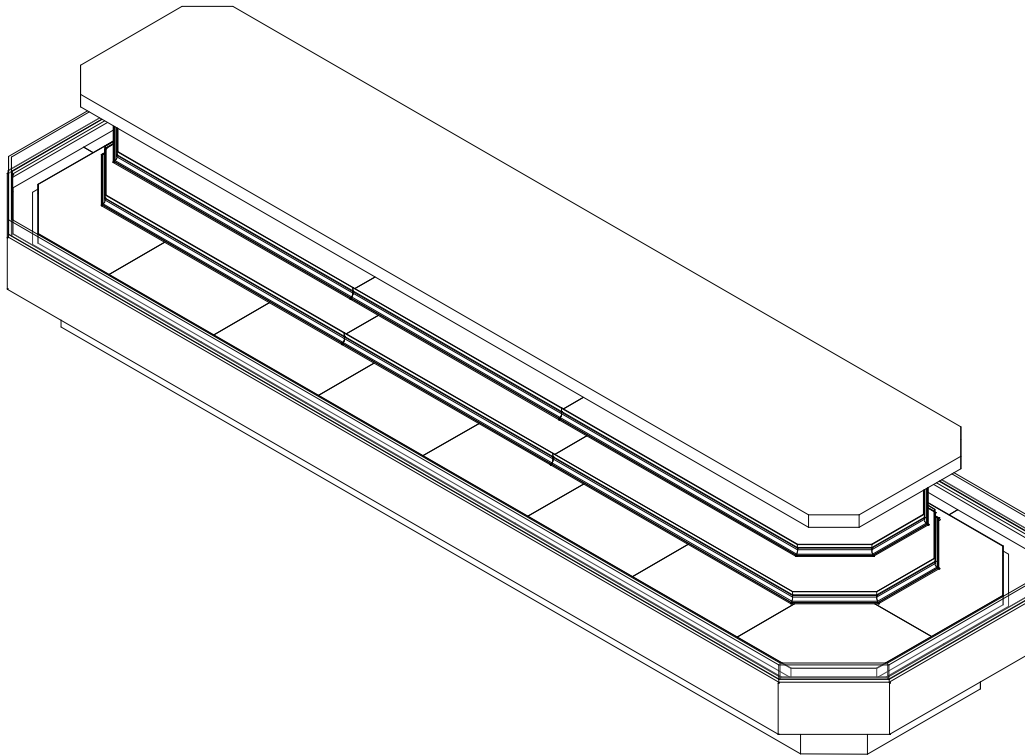


PFI-5-48-R

Self-Service Open Multi-Deck Island Merchandiser
 508, 509, 510, 511, 512, 513, 514, 515, 516 & 517
 (Bakery/Beverage/Dairy/Deli/Produce)

GENERAL NOTES:

- "---" Indicates that the feature is not an option on this case model and/or the data is not yet available at this time.
- Radius end cap (optional)



SHIPPING WEIGHT	
Case	Weight
PFI-5-48-R	---



ENGINEERED FOR STORES WITH AMBIENT CONDITIONS NOT TO EXCEED 75° AND 55% RELATIVE HUMIDITY. DUE TO ENGINEERING IMPROVEMENTS SPECIFICATIONS MAY CHANGE WITHOUT NOTICE. ALL MEASUREMENTS ARE TAKEN PER ASHRAE-72 SPECIFICATIONS. HILLPHOENIX REFRIGERATED DISPLAY CASES FOR SALE IN THE UNITED STATES MEET OR EXCEED DEPARTMENT OF ENERGY 2017 REQUIREMENTS. NUMBERS ARE BASED ON STANDARD CASE SIZES. CONSULT ENGINEERING.

PFI-5-48-R

Rev. Date	Rev. #	Rev. Title
02-19-24	4	DATA UPDATE
06-13-22	3	DATA UPDATE



ELECTRICAL DATA									
Case Length	Fans Per Case	High Efficiency Fans		Anti-Condensate Fans		Drain Heaters		Optional Defrost Heaters	
		120 Volts		120 Volts		120 Volts		208 Volts	
		Amps	Watts	Amps	Watts	Amps	Watts	Amps	Watts
508	8	2.40	288	---	---	---	---	---	---
509	10	3.00	360	---	---	---	---	---	---
510	8	2.40	288	---	---	---	---	---	---
511	10	3.00	360	---	---	---	---	---	---
512	12	3.60	432	---	---	---	---	---	---
513	12	3.60	432	---	---	---	---	---	---
514	14	4.20	504	---	---	---	---	---	---
515	14	4.20	504	---	---	---	---	---	---
516	16	4.80	576	---	---	---	---	---	---
517	16	4.80	576	---	---	---	---	---	---

LIGHTING DATA						
Case Length	Lights Per Row	Light Length	Clearvoyant 4 LED Lighting (Per Light Row)			
			Standard Power (Cornice or Shelf)		High Power (Cornice)	
			120 Volts		120 Volts	
			Amps	Watts	Amps	Watts
508	---	---	0.34	41.0	0.64	77.0
509	---	---	0.36	43.0	0.68	82.0
510	---	---	0.38	46.0	0.74	89.0
511	---	---	0.42	50.0	0.84	101.0
512	---	---	0.44	53.0	0.88	106.0
513	---	---	0.46	55.0	0.90	108.0
514	---	---	0.48	58.0	0.98	118.0
515	---	---	0.60	77.6	0.80	96.5
516	---	---	0.70	78.6	0.80	100.0
517	---	---	0.70	88.0	0.90	112.2

- NOTES:**
- "---" Indicates that the feature is not an option on this case model and/or the data is not yet available at this time.
 - The BTUH values shown include lights.
 - Listed discharge air velocity represents the average velocity at the peak of defrost.
 - Discharge air temperature values represent readings taken within the upper air channel immediately behind/upstream of the honeycomb.



ENGINEERED FOR STORES WITH AMBIENT CONDITIONS NOT TO EXCEED 75° AND 55% RELATIVE HUMIDITY. DUE TO ENGINEERING IMPROVEMENTS SPECIFICATIONS MAY CHANGE WITHOUT NOTICE. ALL MEASUREMENTS ARE TAKEN PER ASHRAE-72 SPECIFICATIONS. HILLPHOENIX REFRIGERATED DISPLAY CASES FOR SALE IN THE UNITED STATES MEET OR EXCEED DEPARTMENT OF ENERGY 2017 REQUIREMENTS. NUMBERS ARE BASED ON STANDARD CASE SIZES. CONSULT ENGINEERING.

PFI-5-48-R

Rev. Date	Rev. #	Rev. Title
02-19-24	4	DATA UPDATE
06-13-22	3	DATA UPDATE



PFI-5-48-R

Self-Service Open Multi-Deck Island Merchandiser
508, 509, 510, 511, 512, 513, 514, 515, 516 & 517
(Bakery/Beverage/Dairy/Deli/Produce)

LIGHTING DATA (END CAP)						
	Lights Per Row	Light Length	Clearvoyant 4 LED Lighting (Per Light Row)			
			Standard Power (Cornice or Shelf)		High Power (Cornice)	
			120 Volts		120 Volts	
			Amps	Watts	Amps	Watts
Canopy			0.06	7.5	0.09	10.5
Top Shelf			0.04	5.6	0.07	10.1
Bottom Shelf			0.06	7.5	0.09	10.5

GUIDELINES AND CONTROL SETTINGS (DX) {DIRECT EXPANSION HFC/CO2}						
	BTUH		Superheat Set Point @ Bulb (°F)	Evaporator (°F)	Discharge Air (°F)	Discharge Air Velocity (FPM)
	Conventional	Parallel				
508	13,892	12,915	10	24	27	140
509	15,656	14,555	10	24	27	140
510	17,420	16,195	10	24	27	140
511	19,184	17,835	10	24	27	140
512	20,948	19,475	10	24	27	140
513	22,712	21,115	10	24	27	140
514	24,476	22,755	10	24	27	140
515	26,093	24,258	10	24	27	140
516	27,710	25,762	10	24	27	140
517	29,327	27,265	10	24	27	140

DEFROST CONTROLS {DIRECT EXPANSION HFC/CO2}							
Defrosts Per Day	Run-Off Time (Min)	Electric Defrost		Timed-Off Defrost		Hot Gas Defrost	
		Fail-Safe (Min)	Termination Temp (°F)	Fail-Safe (Min)	Termination Temp (°F)	Fail-Safe (Min)	Termination Temp (°F)
6	---	---	---	45	42	---	---



ENGINEERED FOR STORES WITH AMBIENT CONDITIONS NOT TO EXCEED 75° AND 55% RELATIVE HUMIDITY. DUE TO ENGINEERING IMPROVEMENTS SPECIFICATIONS MAY CHANGE WITHOUT NOTICE. ALL MEASUREMENTS ARE TAKEN PER ASHRAE-72 SPECIFICATIONS. HILLPHOENIX REFRIGERATED DISPLAY CASES FOR SALE IN THE UNITED STATES MEET OR EXCEED DEPARTMENT OF ENERGY 2017 REQUIREMENTS. NUMBERS ARE BASED ON STANDARD CASE SIZES. CONSULT ENGINEERING.

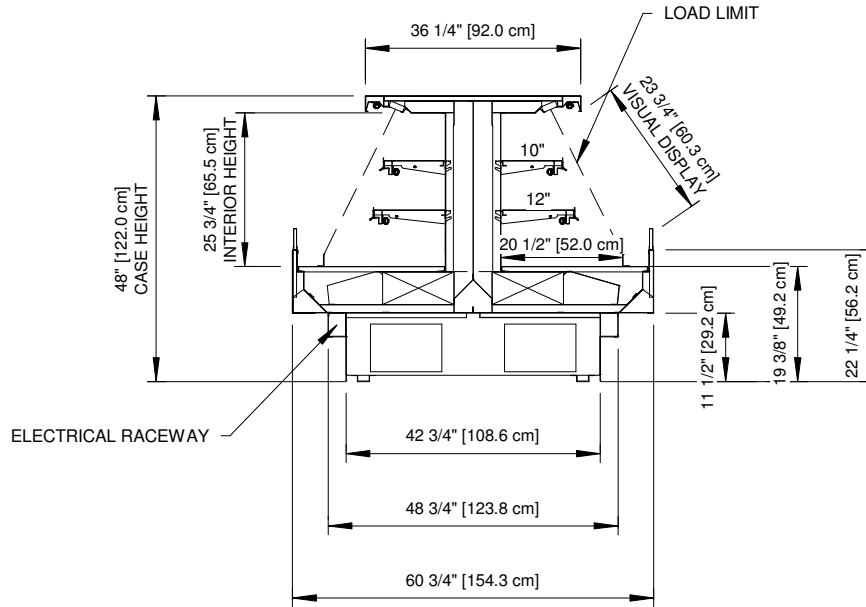
PFI-5-48-R

Rev. Date	Rev. #	Rev. Title
02-19-24	4	DATA UPDATE
06-13-22	3	DATA UPDATE



PFI-5-48-R

Self-Service Open Multi-Deck Island Merchandiser
 508, 509, 510, 511, 512, 513, 514, 515, 516 & 517
 (Bakery/Beverage/Dairy/Deli/Produce)



ENGINEERED FOR STORES WITH AMBIENT CONDITIONS NOT TO EXCEED 75° AND 55% RELATIVE HUMIDITY. DUE TO ENGINEERING IMPROVEMENTS SPECIFICATIONS MAY CHANGE WITHOUT NOTICE. ALL MEASUREMENTS ARE TAKEN PER ASHRAE-72 SPECIFICATIONS. HILLPHOENIX REFRIGERATED DISPLAY CASES FOR SALE IN THE UNITED STATES MEET OR EXCEED DEPARTMENT OF ENERGY 2017 REQUIREMENTS. NUMBERS ARE BASED ON STANDARD CASE SIZES. CONSULT ENGINEERING.

PFI-5-48-R

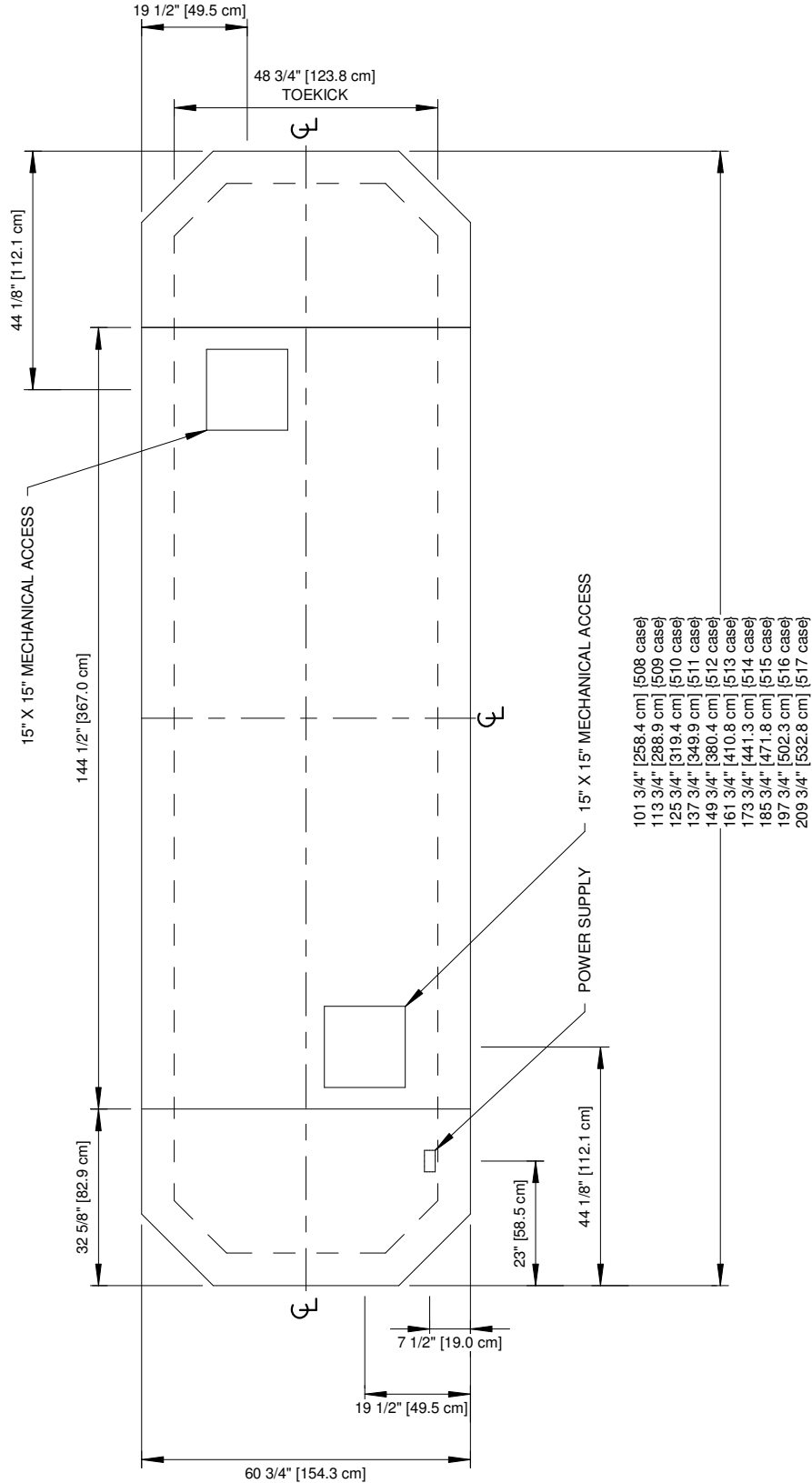
Rev. Date	Rev. #	Rev. Title
02-19-24	4	DATA UPDATE
06-13-22	3	DATA UPDATE

Clearvoyant[™]
LED SYSTEM

Hillphoenix
a DOVER company

PFI-5-48-R

Self-Service Open Multi-Deck Island Merchandiser
 508, 509, 510, 511, 512, 513, 514, 515, 516 & 517
 (Bakery/Beverage/Dairy/Deli/Produce)



Intertek Intertek

ENGINEERED FOR STORES WITH AMBIENT CONDITIONS NOT TO EXCEED 75° AND 55% RELATIVE HUMIDITY. DUE TO ENGINEERING IMPROVEMENTS SPECIFICATIONS MAY CHANGE WITHOUT NOTICE. ALL MEASUREMENTS ARE TAKEN PER ASHRAE-72 SPECIFICATIONS. HILLPHOENIX REFRIGERATED DISPLAY CASES FOR SALE IN THE UNITED STATES MEET OR EXCEED DEPARTMENT OF ENERGY 2017 REQUIREMENTS. NUMBERS ARE BASED ON STANDARD CASE SIZES. CONSULT ENGINEERING.

PFI-5-48-R

Rev. Date	Rev. #	Rev. Title
02-19-24	4	DATA UPDATE
06-13-22	3	DATA UPDATE

