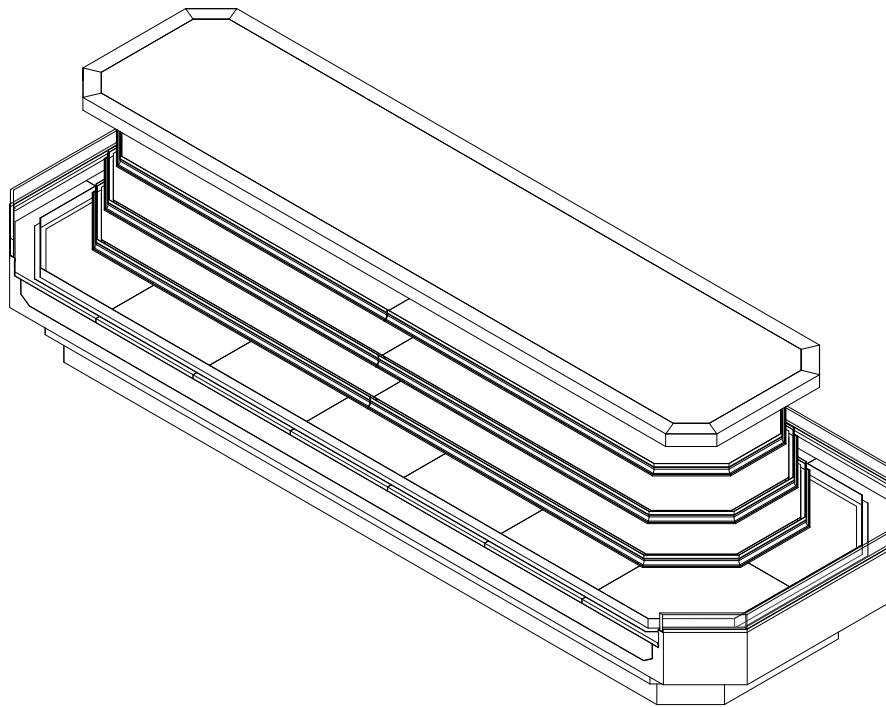


PFI-5-54-R

Self-Service Open Multi-Deck Island Merchandiser
 508, 509, 510, 511, 512, 513, 514, 515, 516 & 517
 (Bakery/Beverage/Dairy/Deli/Produce)

GENERAL NOTES:

- "---" Indicates that the feature is not an option on this case model and/or the data is not yet available at this time.
- Radius end cap (optional)



SHIPPING WEIGHT	
Case	Weight
PFI-5-54-R	---



ENGINEERED FOR STORES WITH AMBIENT CONDITIONS NOT TO EXCEED 75° AND 55% RELATIVE HUMIDITY. DUE TO ENGINEERING IMPROVEMENTS SPECIFICATIONS MAY CHANGE WITHOUT NOTICE. ALL MEASUREMENTS ARE TAKEN PER ASHRAE-72 SPECIFICATIONS. HILLPHOENIX REFRIGERATED DISPLAY CASES FOR SALE IN THE UNITED STATES MEET OR EXCEED DEPARTMENT OF ENERGY 2017 REQUIREMENTS. NUMBERS ARE BASED ON STANDARD CASE SIZES. CONSULT ENGINEERING.

PFI-5-54-R

Rev. Date	Rev. #	Rev. Title
06-13-22	4	DATA UPDATE
04-20-22	3	ENDVIEW UPDATE



PFI-5-54-R

Self-Service Open Multi-Deck Island Merchandiser
508, 509, 510, 511, 512, 513, 514, 515, 516 & 517
(Bakery/Beverage/Dairy/Deli/Produce)-

ELECTRICAL DATA									
	Fans Per Case	High Efficiency Fans		Anti-Condensate Fans		Drain Heaters		Optional Defrost Heaters	
		120 Volts		120 Volts		120 Volts		208 Volts	
		Amps	Watts	Amps	Watts	Amps	Watts	Amps	Watts
508	8	2.40	288	---	---	---	---	---	---
509	8	2.40	288	---	---	---	---	---	---
510	10	3.00	360	---	---	---	---	---	---
511	10	3.00	360	---	---	---	---	---	---
512	12	3.60	432	---	---	---	---	---	---
513	12	3.60	432	---	---	---	---	---	---
514	14	4.20	504	---	---	---	---	---	---
515	14	4.20	504	---	---	---	---	---	---
516	16	4.80	576	---	---	---	---	---	---
517	14	4.80	576	---	---	---	---	---	---

LIGHTING DATA						
	Lights Per Row	Light Length	Clearvoyant 4 LED Lighting (Per Light Row)			
			Standard Power (Cornice or Shelf)		High Power (Cornice)	
			120 Volts		120 Volts	
			Amps	Watts	Amps	Watts
508	---	---	0.34	41.0	0.64	77.0
509	---	---	0.36	43.0	0.68	82.0
510	---	---	0.46	55.0	0.90	112.2
511	---	---	0.48	58.0	0.98	118.0
512	---	---	0.44	53.0	0.88	106.0
513	---	---	0.38	46.0	0.74	89.0
514	---	---	0.42	50.0	0.84	101.0
515	---	---	0.80	100.9	0.80	96.5
516	---	---	0.90	102.4	0.80	100.0
517	---	---	1.00	116.5	0.90	112.2

NOTES:

- "---" Indicates that the feature is not an option on this case model and/or the data is not yet available at this time.
- The BTUH values shown include lights.
- Listed discharge air velocity represents the average velocity at the peak of defrost.
- Discharge air temperature values represent readings taken within the upper air channel immediately behind/upstream of the honeycomb.



ENGINEERED FOR STORES WITH AMBIENT CONDITIONS NOT TO EXCEED 75° AND 55% RELATIVE HUMIDITY. DUE TO ENGINEERING IMPROVEMENTS SPECIFICATIONS MAY CHANGE WITHOUT NOTICE. ALL MEASUREMENTS ARE TAKEN PER ASHRAE-72 SPECIFICATIONS. HILLPHOENIX REFRIGERATED DISPLAY CASES FOR SALE IN THE UNITED STATES MEET OR EXCEED DEPARTMENT OF ENERGY 2017 REQUIREMENTS. NUMBERS ARE BASED ON STANDARD CASE SIZES. CONSULT ENGINEERING.

PFI-5-54-R

Rev. Date	Rev. #	Rev. Title
06-13-22	4	DATA UPDATE
04-20-22	3	ENDVIEW UPDATE



PFI-5-54-R

Self-Service Open Multi-Deck Island Merchandiser
 508, 509, 510, 511, 512, 513, 514, 515, 516 & 517
 (Bakery/Beverage/Dairy/Deli/Produce)

LIGHTING DATA (END CAP)				
	Clearvoyant 4 LED Lighting (Per Light Row)			
	Standard Power (Cornice or Shelf)		High Power (Cornice)	
	120 Volts		120 Volts	
	Amps	Watts	Amps	Watts
Canopy	0.08	10.0	0.13	17.0
Top Shelf	0.06	07.5	0.10	13.5
Bottom Shelf	0.08	10.0	0.13	17.0

GUIDELINES AND CONTROL SETTINGS (DX) {DIRECT EXPANSION HFC/CO2}						
	BTUH/ft		Superheat Set Point @ Bulb (°F)	Evaporator (°F)	Discharge Air (°F)	Discharge Air Velocity (FPM)
	Conventional	Parallel				
508	12,650	11,670	10	24	27	140
509	15,850	14,625	10	24	27	140
510	19,050	17,545	10	24	27	140
511	21,950	20,250	10	24	27	140
512	24,875	22,950	10	24	27	140
513	27,775	25,625	10	24	27	140
514	30,100	27,775	10	24	27	140
515	31,305	28,882	10	24	27	140
516	33,410	30,824	10	24	27	140
517	35,515	32,766	10	24	27	140

DEFROST CONTROLS {DIRECT EXPANSION HFC/CO2}							
Defrosts Per Day	Run-Off Time (Min)	Electric Defrost		Timed-Off Defrost		Hot Gas Defrost	
		Fail-Safe (Min)	Termination Temp (°F)	Fail-Safe (Min)	Termination Temp (°F)	Fail-Safe (Min)	Termination Temp (°F)
6	---	---	---	45	42	---	---



ENGINEERED FOR STORES WITH AMBIENT CONDITIONS NOT TO EXCEED 75° AND 55% RELATIVE HUMIDITY. DUE TO ENGINEERING IMPROVEMENTS SPECIFICATIONS MAY CHANGE WITHOUT NOTICE. ALL MEASUREMENTS ARE TAKEN PER ASHRAE-72 SPECIFICATIONS. HILLPHOENIX REFRIGERATED DISPLAY CASES FOR SALE IN THE UNITED STATES MEET OR EXCEED DEPARTMENT OF ENERGY 2017 REQUIREMENTS. NUMBERS ARE BASED ON STANDARD CASE SIZES. CONSULT ENGINEERING.

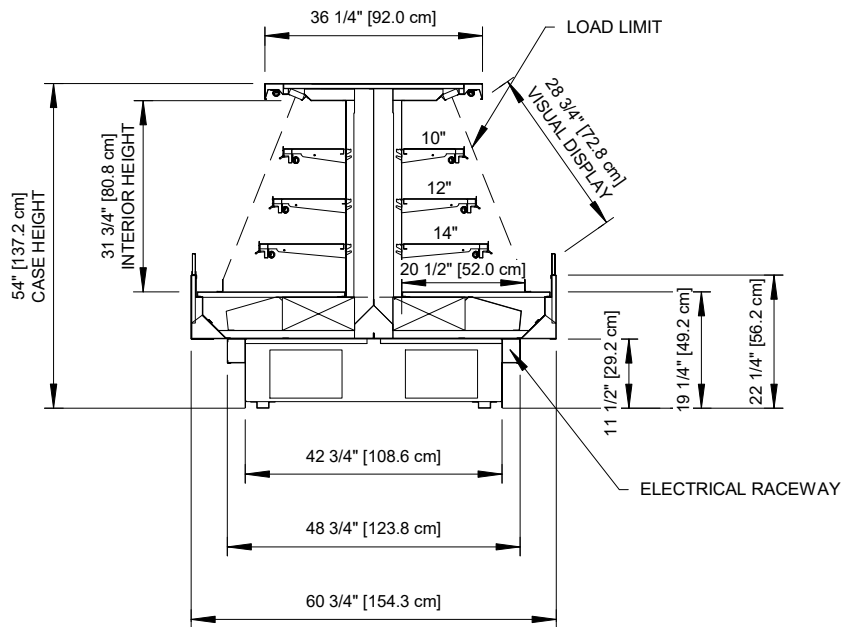
PFI-5-54-R

Rev. Date	Rev. #	Rev. Title
06-13-22	4	DATA UPDATE
04-20-22	3	ENDVIEW UPDATE



PFI-5-54-R

Self-Service Open Multi-Deck Island Merchandiser
 508, 509, 510, 511, 512, 513, 514, 515, 516 & 517
 (Bakery/Beverage/Dairy/Deli/Produce)



2017
DOE
 COMPLIANT



Intertek

Intertek

ENGINEERED FOR STORES WITH AMBIENT CONDITIONS NOT TO EXCEED 75° AND 55% RELATIVE HUMIDITY. DUE TO ENGINEERING IMPROVEMENTS SPECIFICATIONS MAY CHANGE WITHOUT NOTICE. ALL MEASUREMENTS ARE TAKEN PER ASHRAE-72 SPECIFICATIONS. HILLPHOENIX REFRIGERATED DISPLAY CASES FOR SALE IN THE UNITED STATES MEET OR EXCEED DEPARTMENT OF ENERGY 2017 REQUIREMENTS. NUMBERS ARE BASED ON STANDARD CASE SIZES. CONSULT ENGINEERING.

PFI-5-54-R

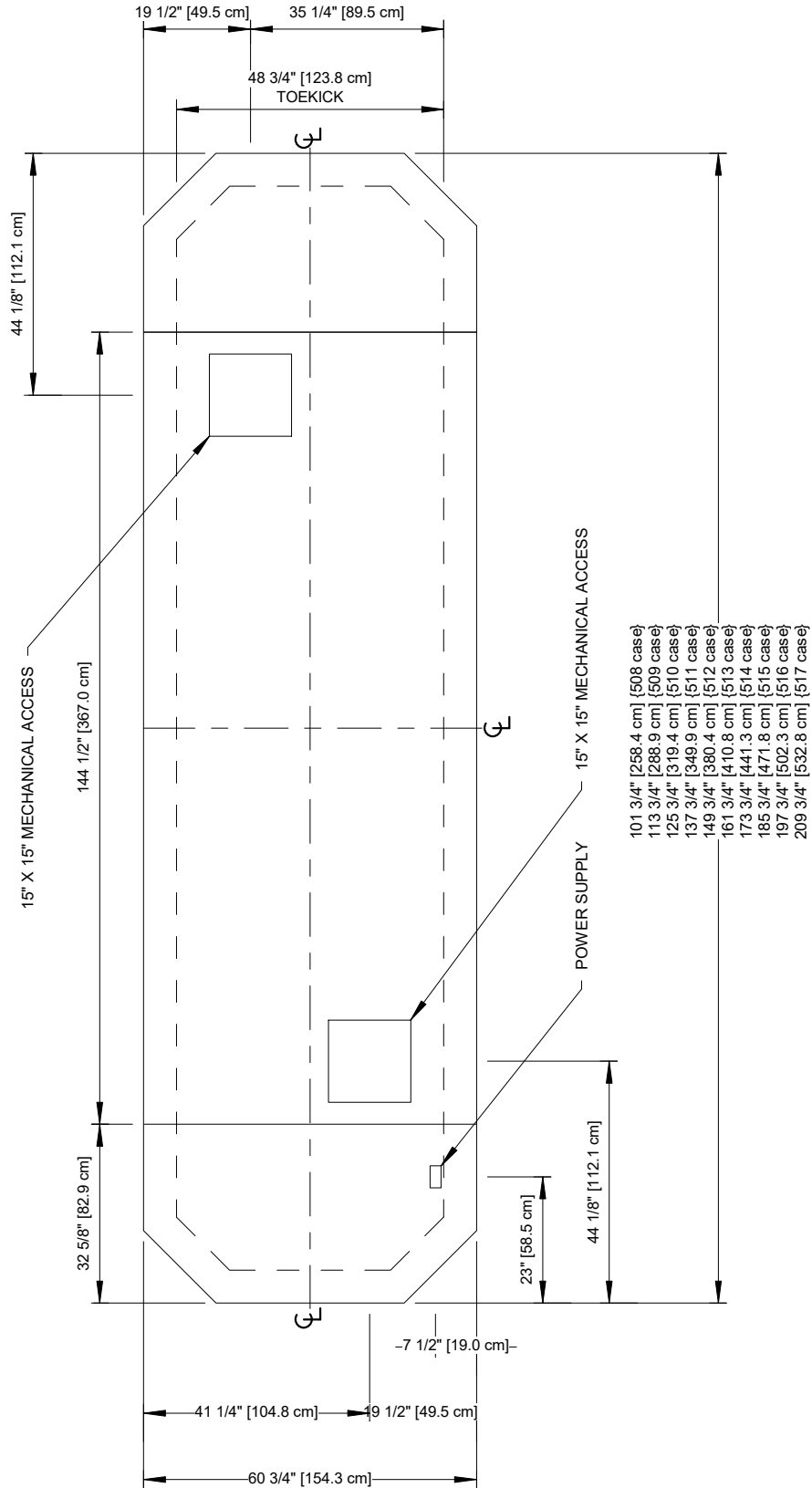
Rev. Date	Rev. #	Rev. Title
06-13-22	4	DATA UPDATE
04-20-22	3	ENDVIEW UPDATE

Clearvoyant™
LED SYSTEM

Hillphoenix
a DOVER company

PFI-5-54-R

Self-Service Open Multi-Deck Island Merchandiser
 508, 509, 510, 511, 512, 513, 514, 515, 516 & 517
 (Bakery/Beverage/Dairy/Deli/Produce)



Intertek Intertek

ENGINEERED FOR STORES WITH AMBIENT CONDITIONS NOT TO EXCEED 75° AND 55% RELATIVE HUMIDITY. DUE TO ENGINEERING IMPROVEMENTS SPECIFICATIONS MAY CHANGE WITHOUT NOTICE. ALL MEASUREMENTS ARE TAKEN PER ASHRAE-72 SPECIFICATIONS. HILLPHOENIX REFRIGERATED DISPLAY CASES FOR SALE IN THE UNITED STATES MEET OR EXCEED DEPARTMENT OF ENERGY 2017 REQUIREMENTS. NUMBERS ARE BASED ON STANDARD CASE SIZES. CONSULT ENGINEERING.

PFI-5-54-R

Rev. Date	Rev. #	Rev. Title
06-13-22	4	DATA UPDATE
04-20-22	3	ENDVIEW UPDATE

