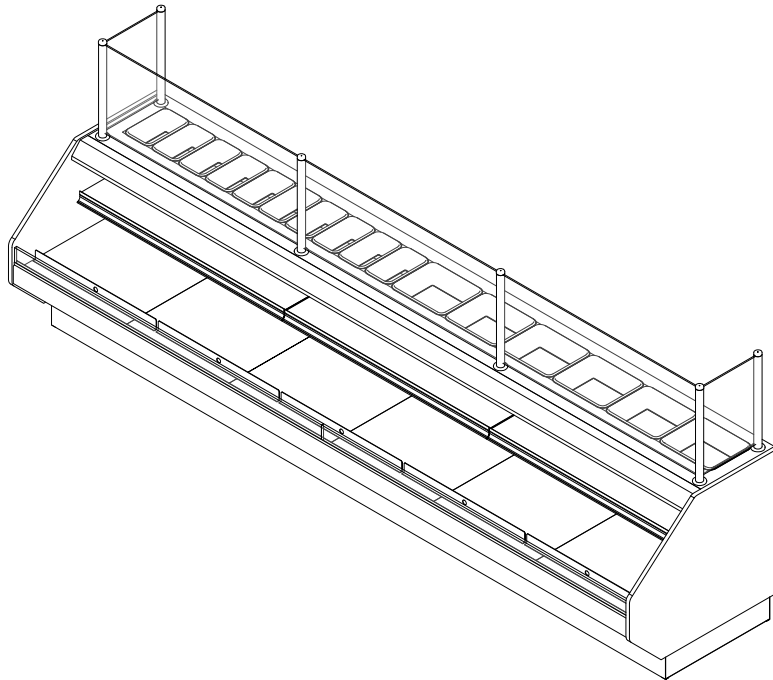


# PT-34.5-35-R

Self-Service Open Multi-Deck Merchandiser w/ Food Prep  
4', 6', 8', 10' & 12' (Bakery/Deli/Sushi)

**GENERAL NOTES:**

- "----" Indicates that the feature is not an option on this case model and/or the data is not yet available at this time.
- DRS/RRS - Dry Rear Storage/Refrigerated Rear Storage (optional)
- Deli pans shown (optional)



SHIPPING WEIGHT	
Case	Weight
PT-34.5-35-R	---



ENGINEERED FOR STORES WITH AMBIENT CONDITIONS NOT TO EXCEED 75° AND 55% RELATIVE HUMIDITY. DUE TO ENGINEERING IMPROVEMENTS SPECIFICATIONS MAY CHANGE WITHOUT NOTICE. ALL MEASUREMENTS ARE TAKEN PER ASHRAE-72 SPECIFICATIONS. HILLPHOENIX REFRIGERATED DISPLAY CASES FOR SALE IN THE UNITED STATES MEET OR EXCEED DEPARTMENT OF ENERGY 2017 REQUIREMENTS. NUMBERS ARE BASED ON STANDARD CASE SIZES. CONSULT ENGINEERING.

**PT-34.5-35-R**

Rev. Date	Rev. #	Rev. Title
09-01-22	5	DATA UPDATE
03-10-22	4	DATA UPDATE



ELECTRICAL DATA										
Case Length	Fans Per Case	High Efficiency Fans		Drain Heaters		Optional Defrost Heaters		RRS		
		120 Volts		120 Volts		208 Volts		Fans Per Case	Unit Cooler Fans	
		Amps	Watts	Amps	Watts	Amps	Watts		120 Volts	
									Amps	Watts
4'	1	0.30	36	---	---	---	---	1	0.80	96
6'	2	0.60	72	---	---	---	---	1	0.80	96
8'	3	0.90	108	---	---	---	---	2	1.60	192
10'	4	1.20	144	---	---	---	---	2	1.60	192
12'	4	1.20	144	---	---	---	---	2	1.60	192

LIGHTING DATA						
Case Length	Lights Per Row	Light Length	Clearvoyant 4 LED Lighting (Per Light Row)			
			Standard Power (Cornice or Shelf)		High Power (Cornice)	
			120 Volts		120 Volts	
			Amps	Watts	Amps	Watts
4'	1	4'	0.05	5.9	0.12	14.9
6'	2	3'	0.08	9.4	0.20	23.8
8'	2	4'	0.10	11.8	0.24	29.8
10'	2	5'	0.12	15.0	0.30	37.0
12'	3	4'	0.15	17.7	0.36	44.7

GUIDELINES AND CONTROL SETTINGS (DX) {DIRECT EXPANSION HFC/CO2}						
	BTUH/ft		Superheat Set Point @ Bulb (°F)	Evaporator (°F)	Discharge Air (°F)	Discharge Air Velocity (FPM)
	Conventional	Parallel				
DX	599	535	10 - 13	24	32	135 - 150
RRS	153	146	6 - 9	24	31	---

**NOTES:**

- "---" Indicates that the feature is not an option on this case model and/or the data is not yet available at this time.
- RRS - Rear Refrigerated Storage
- Listed BTUH indicates unlighted shelves. Add the following for lighted shelves:  
4' Shelf LED: 36 BTUH  
4' Canopy LED: 72 BTUH  
3' Shelf LED: 27 BTUH  
3' Hi-Output LED: 54 BTUH
- Listed discharge air velocity represents the average velocity at the peak of defrost.
- Discharge air temperature values represent readings taken within the upper air channel immediately behind/upstream of the honeycomb.
- \* Time-off duration for defrost with no termination control.



ENGINEERED FOR STORES WITH AMBIENT CONDITIONS NOT TO EXCEED 75° AND 55% RELATIVE HUMIDITY. DUE TO ENGINEERING IMPROVEMENTS SPECIFICATIONS MAY CHANGE WITHOUT NOTICE. ALL MEASUREMENTS ARE TAKEN PER ASHRAE-72 SPECIFICATIONS. HILLPHOENIX REFRIGERATED DISPLAY CASES FOR SALE IN THE UNITED STATES MEET OR EXCEED DEPARTMENT OF ENERGY 2017 REQUIREMENTS. NUMBERS ARE BASED ON STANDARD CASE SIZES. CONSULT ENGINEERING.

## PT-34.5-35-R

Rev. Date	Rev. #	Rev. Title
09-01-22	5	DATA UPDATE
03-10-22	4	DATA UPDATE



DEFROST CONTROLS {DIRECT EXPANSION HFC/CO2}							
Defrosts Per Day	Run-Off Time (Min)	Electric Defrost		Timed-Off Defrost		Hot Gas Defrost	
		Fail-Safe (Min)	Termination Temp (°F)	Fail-Safe (Min)	Termination Temp (°F)	Fail-Safe (Min)	Termination Temp (°F)
6	0	---	---	30/*25	42	---	---



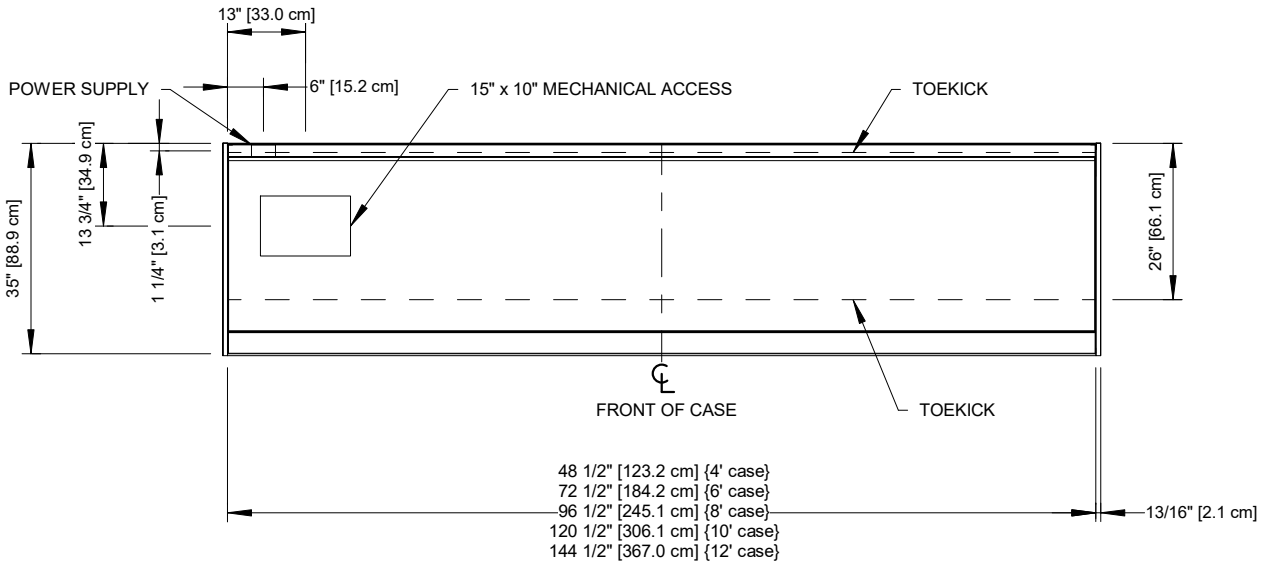
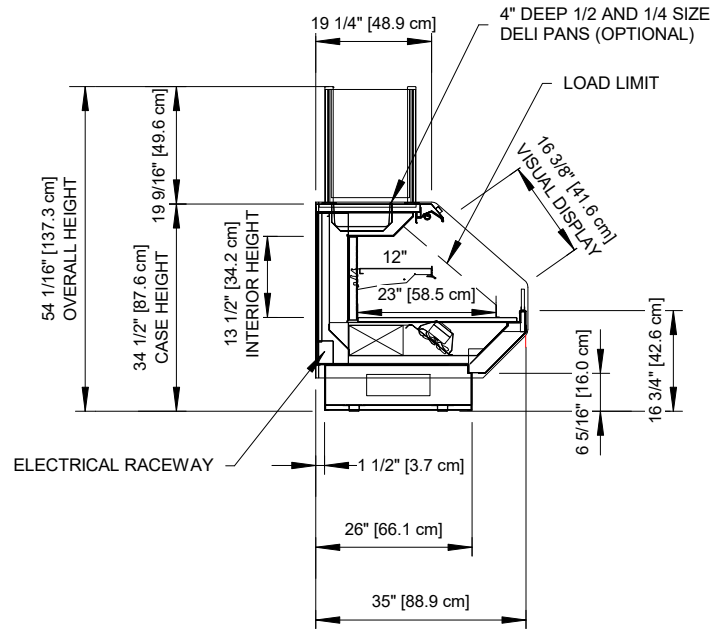
ENGINEERED FOR STORES WITH AMBIENT CONDITIONS NOT TO EXCEED 75° AND 55% RELATIVE HUMIDITY. DUE TO ENGINEERING IMPROVEMENTS SPECIFICATIONS MAY CHANGE WITHOUT NOTICE. ALL MEASUREMENTS ARE TAKEN PER ASHRAE-72 SPECIFICATIONS. HILLPHOENIX REFRIGERATED DISPLAY CASES FOR SALE IN THE UNITED STATES MEET OR EXCEED DEPARTMENT OF ENERGY 2017 REQUIREMENTS. NUMBERS ARE BASED ON STANDARD CASE SIZES. CONSULT ENGINEERING.

## PT-34.5-35-R

Rev. Date	Rev. #	Rev. Title
09-01-22	5	DATA UPDATE
03-10-22	4	DATA UPDATE

# PT-34.5-35-R

Self-Service Open Multi-Deck Merchandiser w/ Food Prep  
4', 6', 8', 10' & 12' (Bakery/Deli/Sushi)



## NOTES:

- Shown with optional deli pans .

2017  
**DOE**  
COMPLIANT

**ETL**  
LABORATORY  
LISTED

**ETL**  
LABORATORY  
LISTED US

Intertek

Intertek

ENGINEERED FOR STORES WITH AMBIENT CONDITIONS NOT TO EXCEED 75° AND 55% RELATIVE HUMIDITY. DUE TO ENGINEERING IMPROVEMENTS SPECIFICATIONS MAY CHANGE WITHOUT NOTICE. ALL MEASUREMENTS ARE TAKEN PER ASHRAE-72 SPECIFICATIONS. HILLPHOENIX REFRIGERATED DISPLAY CASES FOR SALE IN THE UNITED STATES MEET OR EXCEED DEPARTMENT OF ENERGY 2017 REQUIREMENTS. NUMBERS ARE BASED ON STANDARD CASE SIZES. CONSULT ENGINEERING.

## PT-34.5-35-R

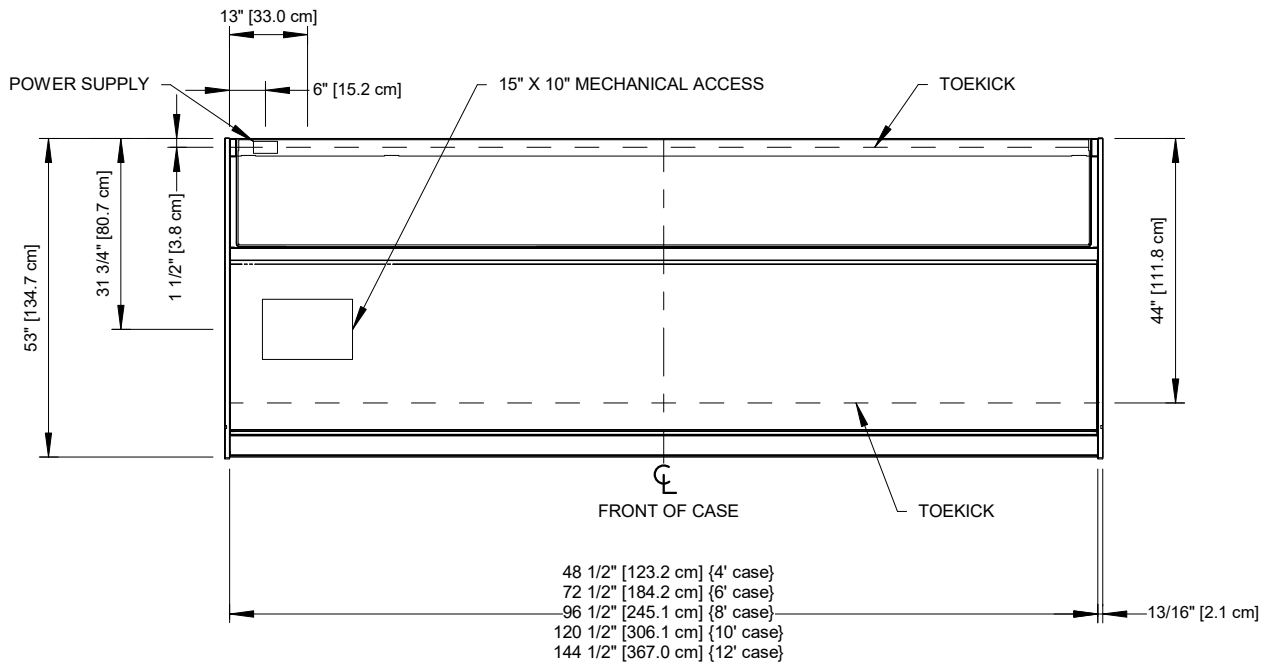
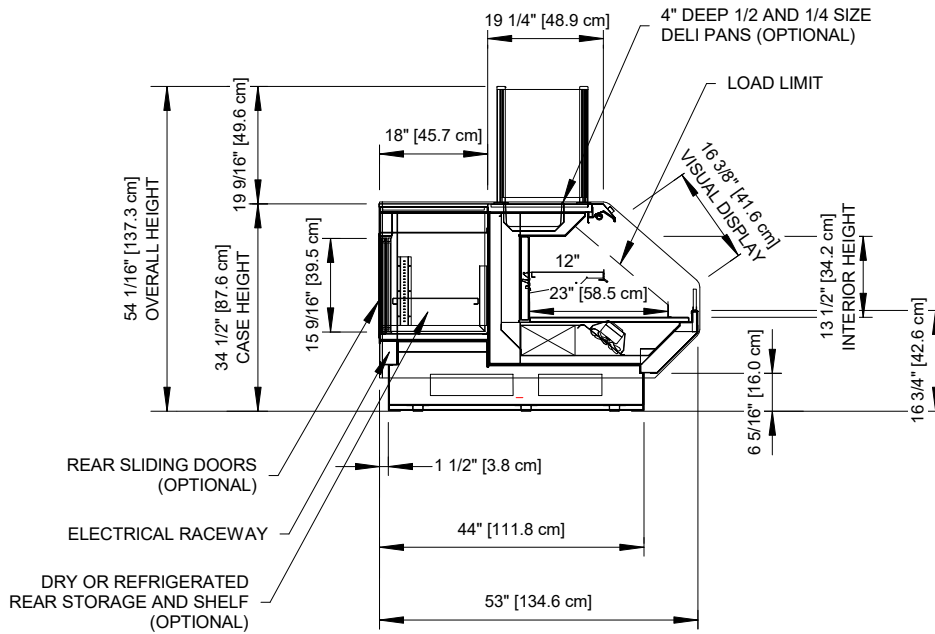
Rev. Date	Rev. #	Rev. Title
09-01-22	5	DATA UPDATE
03-10-22	4	DATA UPDATE

Clearvoyant™  
LED SYSTEM

**Hillphoenix**  
a DOVER company

# PT-34.5-35-R

Self-Service Open Multi-Deck Merchandiser w/ Food Prep  
4', 6', 8', 10' & 12' (Bakery/Deli/Sushi)



**NOTES:**

- Shown with optional rear storage, rear sliding doors and deli pans.



ENGINEERED FOR STORES WITH AMBIENT CONDITIONS NOT TO EXCEED 75° AND 55% RELATIVE HUMIDITY. DUE TO ENGINEERING IMPROVEMENTS SPECIFICATIONS MAY CHANGE WITHOUT NOTICE. ALL MEASUREMENTS ARE TAKEN PER ASHRAE-72 SPECIFICATIONS. HILLPHOENIX REFRIGERATED DISPLAY CASES FOR SALE IN THE UNITED STATES MEET OR EXCEED DEPARTMENT OF ENERGY 2017 REQUIREMENTS. NUMBERS ARE BASED ON STANDARD CASE SIZES. CONSULT ENGINEERING.

**PT-34.5-35-R**

Rev. Date	Rev. #	Rev. Title
09-01-22	5	DATA UPDATE
03-10-22	4	DATA UPDATE

