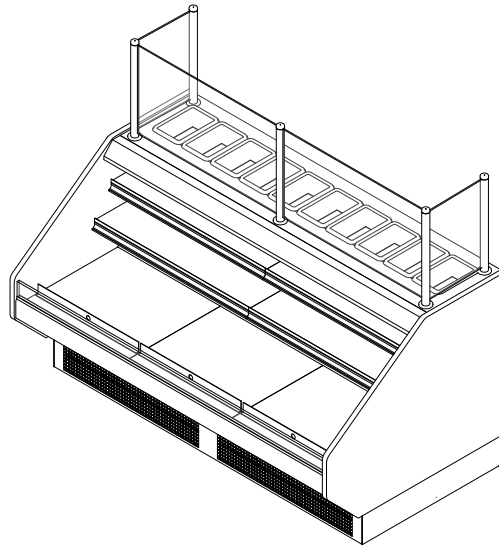




**GENERAL NOTES:**

- "---" Indicates that the feature is not an option on this case model and/or the data is not yet available at this time.
- Deli pans shown (optional)
- DRS - Dry Rear Storage (optional)



SHIPPING WEIGHT	
Case	Weight
PT-SC	---



**PT-SC**

Rev. Date	Rev. #	Rev. Title
03-15-22	2	DATA UPDATE
10-08-20	1	NEW STANDARDS



a DOVER company

ALL MEASUREMENTS ARE TAKEN PER ASHRAE-72 SPECIFICATIONS. HILLPHOENIX REFRIGERATED DISPLAY CASES FOR SALE IN THE UNITED STATES MEET OR EXCEED DEPARTMENT OF ENERGY 2017 REQUIREMENTS.



SYSTEM REQUIREMENTS				
Case Length	Volts	Phase	Total Amps	Minimum Circuit Ampacity
4'	120	1	7.2	8.7
6'	120	1	12.4	13.7

SYSTEM REQUIREMENTS				
Case Length	Volts	Phase	Total Amps	Minimum Circuit Ampacity
4'	120/208	1	6.1	7.6
6'	120/208	1	6.4	7.7

ELECTRICAL DATA				
Case Length	Fans Per Case	Volts	Fan Motor	
			Total Amps	Total Watts
4'	1	115	0.30	25
6'	2	115	0.60	25

LIGHTING DATA			Clearvoyant 4 LED Lighting			
Case Length	Lights Per Row	Light Length	Standard Power		High Power	
			24 Volts		24 Volts	
			Amps	Watts	Amps	Watts
4'	1	4'	0.05	5.9	0.12	14.9
6'	2	3'	0.04	42.6	0.10	11.9

GUIDELINES AND CONTROL SETTINGS					
Case Length	24hr Energy Usage (kWh/ft)	Suction Temperature @ Case Outlet (°F)	Superheat Set Point @ Bulb (°F)	Discharge Air (°F)	Discharge Air Velocity (FPM)
4'	9.5	---	---	---	85
6'	15.9	---	---	---	100

**NOTES:**

- "----" Indicates that the feature is not an option on this case model and/or the data is not yet available at this time.
- Listed discharge air velocity represents the average velocity at the peak of defrost measured from front facing discharge honeycomb.
- 6' length requires two condensing units.
- LRA - Locked Rotor Amps
- RLA - Running Load Amps
- DRS - Dry Rear Storage



**PT-SC**

ALL MEASUREMENTS ARE TAKEN PER ASHRAE-72 SPECIFICATIONS. HILLPHOENIX REFRIGERATED DISPLAY CASES FOR SALE IN THE UNITED STATES MEET OR EXCEED DEPARTMENT OF ENERGY 2017 REQUIREMENTS.

Rev. Date	Rev. #	Rev. Title
03-15-22	2	DATA UPDATE
10-08-20	1	NEW STANDARDS





CONDENSING UNIT DATA										
	Case Length	Volts	Phase	HP	RLA (Amps)	LRA (Amps)	Refrig.	Grams	Condenser Fans	
									Amps	Watts
Base	4'	115	1	---	6.10	42	R290	134	0.53	30
Base	6'	115	1	---	5.30	32	R290	112 (x2)	0.86	30
DRS	4'	115	1	---	6.10	42	R290	118	0.53	30
DRS	6'	115	1	---	5.30	32	R290	118 (X2)	0.86	30

DEFROST CONTROLS							
Defrosts Per Day	Run-Off Time (Min)	Electric Defrost		Timed-Off Defrost		Hot Gas Defrost	
		Fail-Safe (Min)	Termination Temp (°F)	Fail-Safe (Min)	Termination Temp (°F)	Fail-Safe (Min)	Termination Temp (°F)
6	---	---	---	40	45	---	---

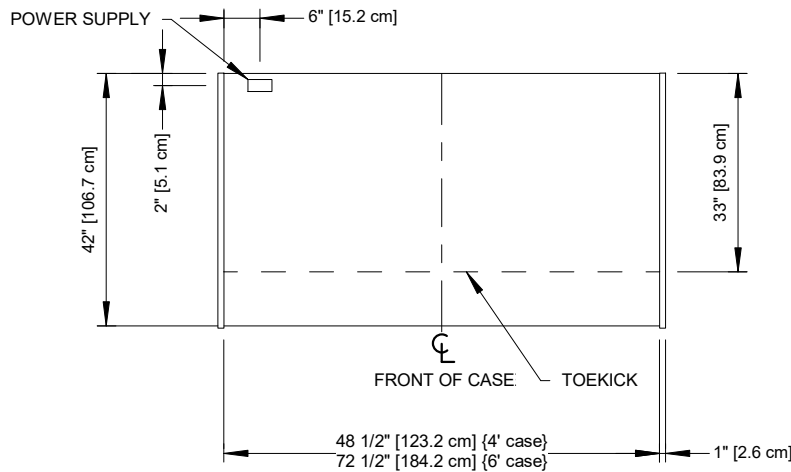
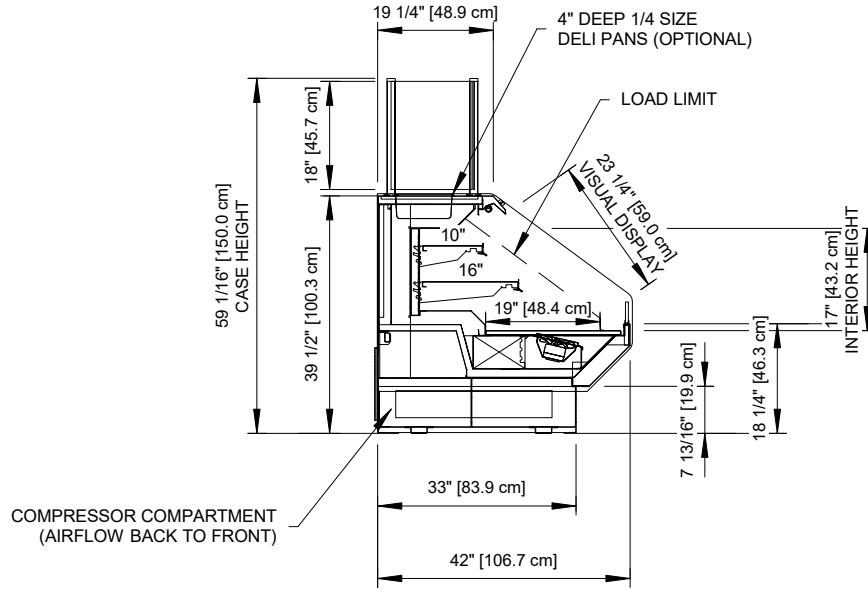


## PT-SC

ALL MEASUREMENTS ARE TAKEN PER ASHRAE-72 SPECIFICATIONS. HILLPHOENIX REFRIGERATED DISPLAY CASES FOR SALE IN THE UNITED STATES MEET OR EXCEED DEPARTMENT OF ENERGY 2017 REQUIREMENTS.

Rev. Date	Rev. #	Rev. Title
03-15-22	2	DATA UPDATE
10-08-20	1	NEW STANDARDS





**NOTES:**

- Shown with optional deli pans.

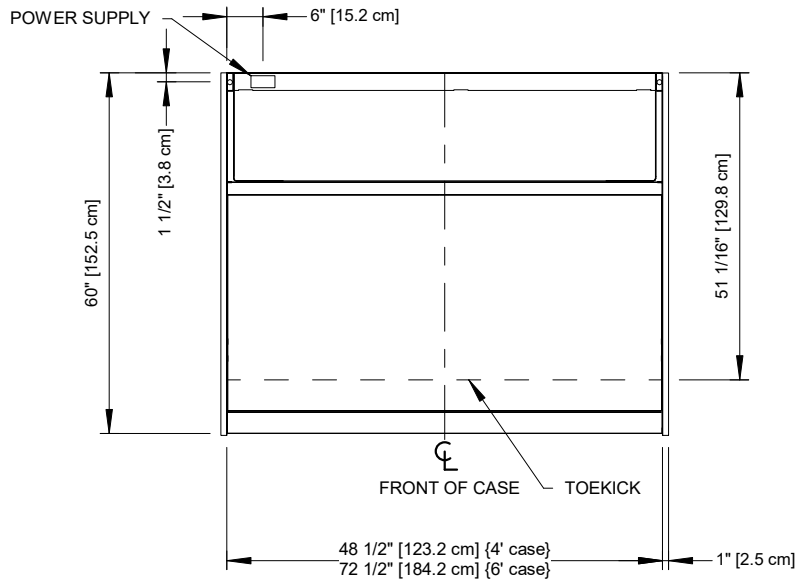
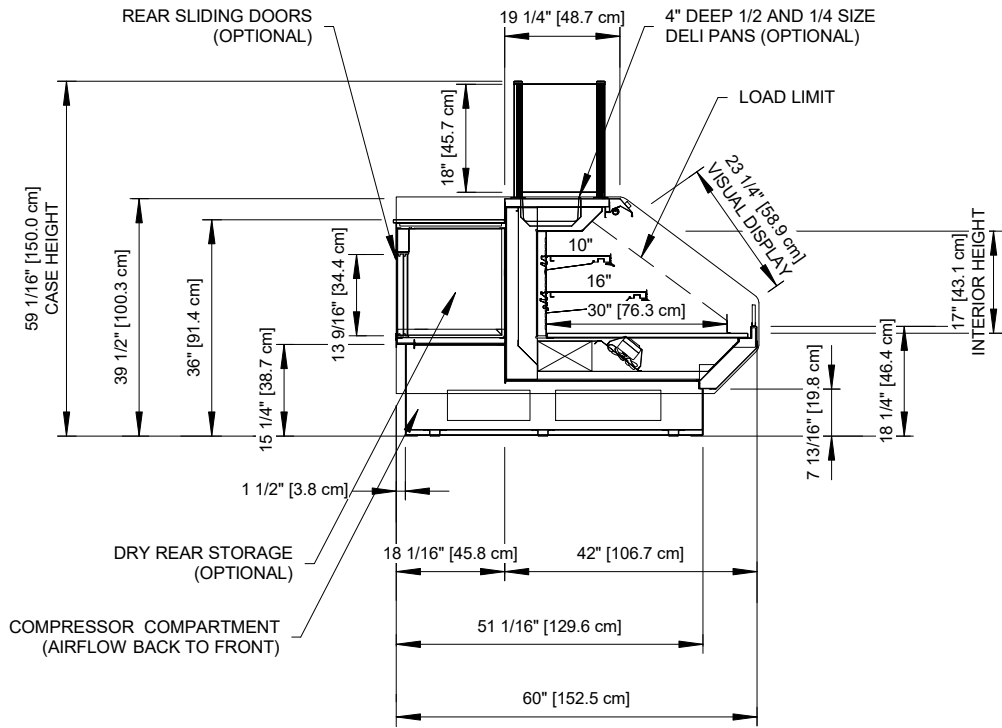


**PT-SC**

Rev. Date	Rev. #	Rev. Title
03-15-22	2	DATA UPDATE
10-08-20	1	NEW STANDARDS



ALL MEASUREMENTS ARE TAKEN PER ASHRAE-72 SPECIFICATIONS. HILLPHOENIX REFRIGERATED DISPLAY CASES FOR SALE IN THE UNITED STATES MEET OR EXCEED DEPARTMENT OF ENERGY 2017 REQUIREMENTS.



**NOTES:**

- Shown with optional rear storage and deli pans.



**PT-SC-DRS**

Rev. Date	Rev. #	Rev. Title
03-15-22	2	DATA UPDATE
10-08-20	1	NEW STANDARDS



ALL MEASUREMENTS ARE TAKEN PER ASHRAE-72 SPECIFICATIONS. HILLPHOENIX REFRIGERATED DISPLAY CASES FOR SALE IN THE UNITED STATES MEET OR EXCEED DEPARTMENT OF ENERGY 2017 REQUIREMENTS.