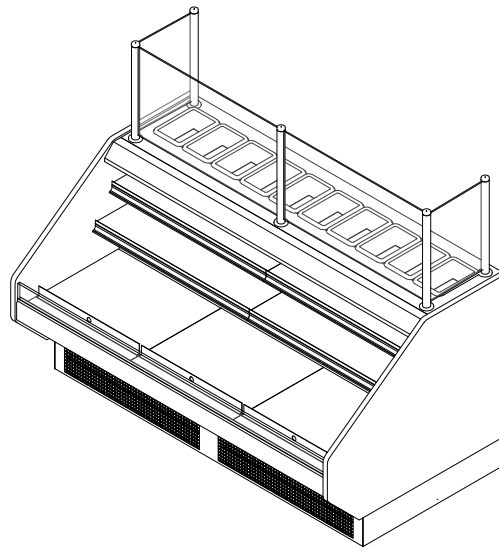


GENERAL NOTES:

- "---" Indicates that the feature is not an option on this case model and/or the data is not yet available at this time.
- DRS/RRS - Dry Rear Storage/Refrigerated Rear Storage (optional)
- Deli pans shown (optional)



SHIPPING WEIGHT	
Case	Weight
PT-SC	---



ENGINEERED FOR STORES WITH AMBIENT CONDITIONS NOT TO EXCEED 75° AND 55% RELATIVE HUMIDITY. DUE TO ENGINEERING IMPROVEMENTS SPECIFICATIONS MAY CHANGE WITHOUT NOTICE. ALL MEASUREMENTS ARE TAKEN PER ASHRAE-72 SPECIFICATIONS. HILLPHOENIX REFRIGERATED DISPLAY CASES FOR SALE IN THE UNITED STATES MEET OR EXCEED DEPARTMENT OF ENERGY 2017 REQUIREMENTS. NUMBERS ARE BASED ON STANDARD CASE SIZES. CONSULT ENGINEERING.

PT-SC

Rev. Date	Rev. #	Rev. Title
03-15-22	2	DATA UPDATE
02-10-21	1	NEW STANDARDS



SYSTEM REQUIREMENTS					
Case Length	Volts	Phase	Total Amps	Minimum Circuit Ampacity	Maximum Overcurrent Protection
6'	120/208	1	11.3	15	20
4'	120	1	19.6	25	30

ELECTRICAL DATA										
Case Length	Fans Per Case	Volts	Fan Motor		Evaporator Pan Heaters			RRS Unit Cooler Fans		
			Total Amps	Total Watts	Volts	Amps	Watts	Fans Per Case	120 Volts	
									Amps	Watts
6'	2	120	0.60	72	208	4.80	1000	2	0.48	56
4'	1	120	0.30	36	120	8.30	1000	1	0.24	28

LIGHTING DATA						
Case Length	Lights Per Row	Light Length	Clearvoyant 4 LED Lighting (Per Light Row)			
			Standard Power (Cornice or Shelf)		High Power (Cornice)	
			120 Volts		120 Volts	
			Amps	Watts	Amps	Watts
6'	2	3'	0.08	11.8	0.20	23.8
4'	1	4'	0.05	5.9	0.12	14.9

GUIDELINES AND CONTROL SETTINGS						
	Case Length	24hr Energy Usage (kWh/ft)	Suction Temperature @ Case Outlet (°F)	Superheat Set Point @ Bulb (°F)	Discharge Air (°F)	Discharge Air Velocity (FPM)
Base	4'	---	24	6 - 8	31	80 - 130
RRS	6'	---	24	6 - 8	---	---

CONDENSING UNIT DATA									
Case Length	Volts	Phase	HP	RLA (Amps)	LRA (Amps)	Refrig.	Condenser Fans		Lbs. of Refrig.
							Amps	Watts	
4'	120	1	1/2	10.5	54.5	404a	1.40	168	2.7
6'	208	1	3/4	6.8	33.7	404a	0.82	170	4.2

- NOTES:**
- "---" Indicates that the feature is not an option on this case model and/or the data is not yet available at this time.
 - Listed discharge air velocity represents the average velocity at the peak of defrost measured from front facing discharge honeycomb.
 - LRA - Locked Rotor Amps
 - RLA - Running Load Amps
 - RRS - Refrigerated Rear Storage



ENGINEERED FOR STORES WITH AMBIENT CONDITIONS NOT TO EXCEED 75° AND 55% RELATIVE HUMIDITY. DUE TO ENGINEERING IMPROVEMENTS SPECIFICATIONS MAY CHANGE WITHOUT NOTICE. ALL MEASUREMENTS ARE TAKEN PER ASHRAE-72 SPECIFICATIONS. HILLPHOENIX REFRIGERATED DISPLAY CASES FOR SALE IN THE UNITED STATES MEET OR EXCEED DEPARTMENT OF ENERGY 2017 REQUIREMENTS. NUMBERS ARE BASED ON STANDARD CASE SIZES. CONSULT ENGINEERING.

PT-SC

Rev. Date	Rev. #	Rev. Title
03-15-22	2	DATA UPDATE
02-10-21	1	NEW STANDARDS



DEFROST CONTROLS							
Defrosts Per Day	Run-Off Time (Min)	Electric Defrost		Timed-Off Defrost		Hot Gas Defrost	
		Fail-Safe (Min)	Termination Temp (°F)	Fail-Safe (Min)	Termination Temp (°F)	Fail-Safe (Min)	Termination Temp (°F)
6	---	---	---	60	45	---	---

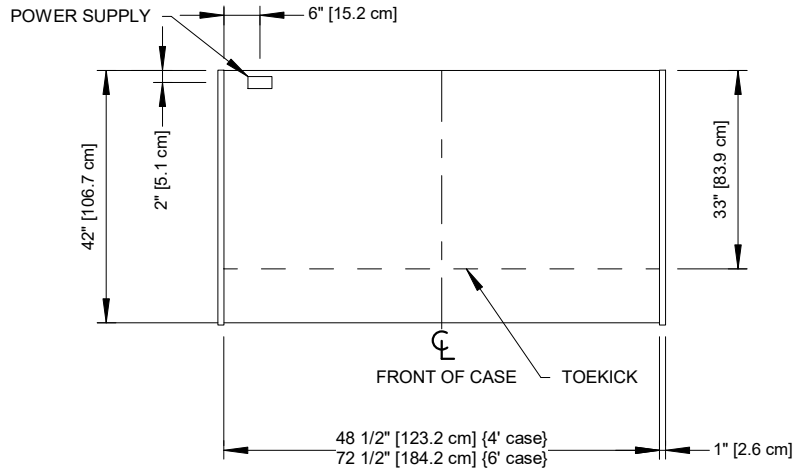
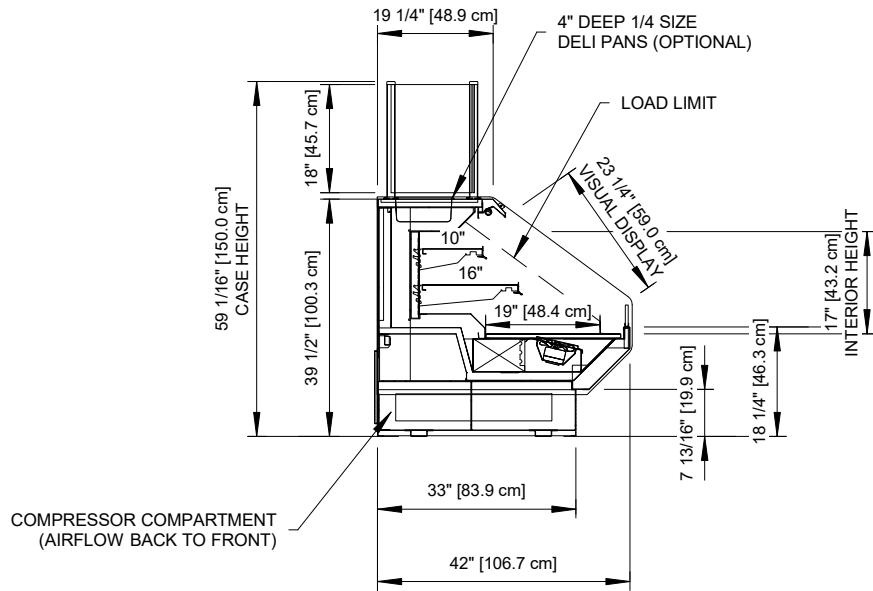


ENGINEERED FOR STORES WITH AMBIENT CONDITIONS NOT TO EXCEED 75° AND 55% RELATIVE HUMIDITY. DUE TO ENGINEERING IMPROVEMENTS SPECIFICATIONS MAY CHANGE WITHOUT NOTICE. ALL MEASUREMENTS ARE TAKEN PER ASHRAE-72 SPECIFICATIONS. HILLPHOENIX REFRIGERATED DISPLAY CASES FOR SALE IN THE UNITED STATES MEET OR EXCEED DEPARTMENT OF ENERGY 2017 REQUIREMENTS. NUMBERS ARE BASED ON STANDARD CASE SIZES. CONSULT ENGINEERING.

PT-SC

Rev. Date	Rev. #	Rev. Title
03-15-22	2	DATA UPDATE
02-10-21	1	NEW STANDARDS





NOTES:

- Shown with optional deli pans.

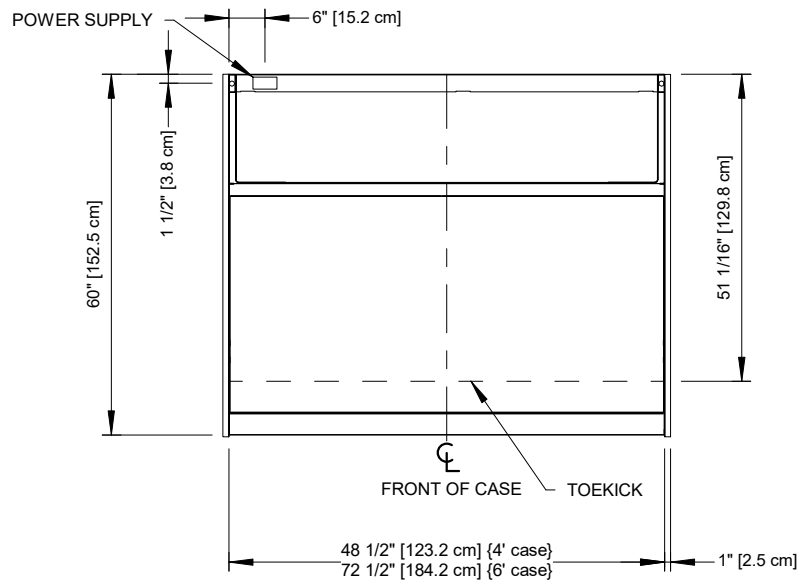
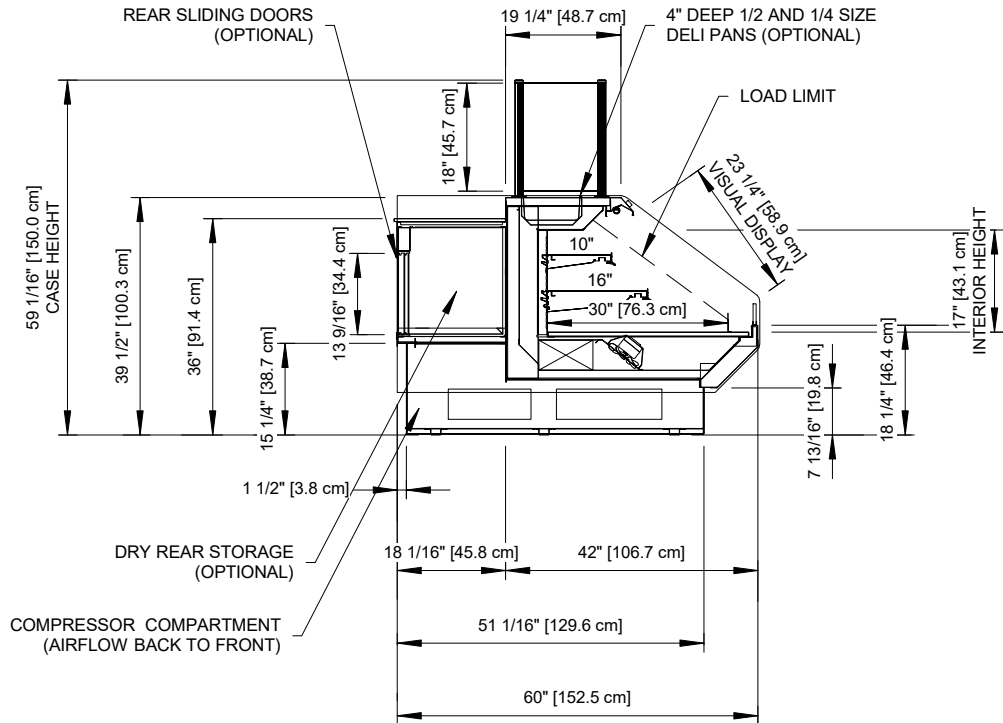


ENGINEERED FOR STORES WITH AMBIENT CONDITIONS NOT TO EXCEED 75° AND 55% RELATIVE HUMIDITY. DUE TO ENGINEERING IMPROVEMENTS SPECIFICATIONS MAY CHANGE WITHOUT NOTICE. ALL MEASUREMENTS ARE TAKEN PER ASHRAE-72 SPECIFICATIONS. HILLPHOENIX REFRIGERATED DISPLAY CASES FOR SALE IN THE UNITED STATES MEET OR EXCEED DEPARTMENT OF ENERGY 2017 REQUIREMENTS. NUMBERS ARE BASED ON STANDARD CASE SIZES. CONSULT ENGINEERING.

PT-SC

Rev. Date	Rev. #	Rev. Title
03-15-22	2	DATA UPDATE
02-10-21	1	NEW STANDARDS





NOTES:

- Shown with optional rear storage and deli pans.



ENGINEERED FOR STORES WITH AMBIENT CONDITIONS NOT TO EXCEED 75° AND 55% RELATIVE HUMIDITY. DUE TO ENGINEERING IMPROVEMENTS SPECIFICATIONS MAY CHANGE WITHOUT NOTICE. ALL MEASUREMENTS ARE TAKEN PER ASHRAE-72 SPECIFICATIONS. HILLPHOENIX REFRIGERATED DISPLAY CASES FOR SALE IN THE UNITED STATES MEET OR EXCEED DEPARTMENT OF ENERGY 2017 REQUIREMENTS. NUMBERS ARE BASED ON STANDARD CASE SIZES. CONSULT ENGINEERING.

PT-SC-RRS

Rev. Date	Rev. #	Rev. Title
03-15-22	2	DATA UPDATE
02-10-21	1	NEW STANDARDS

