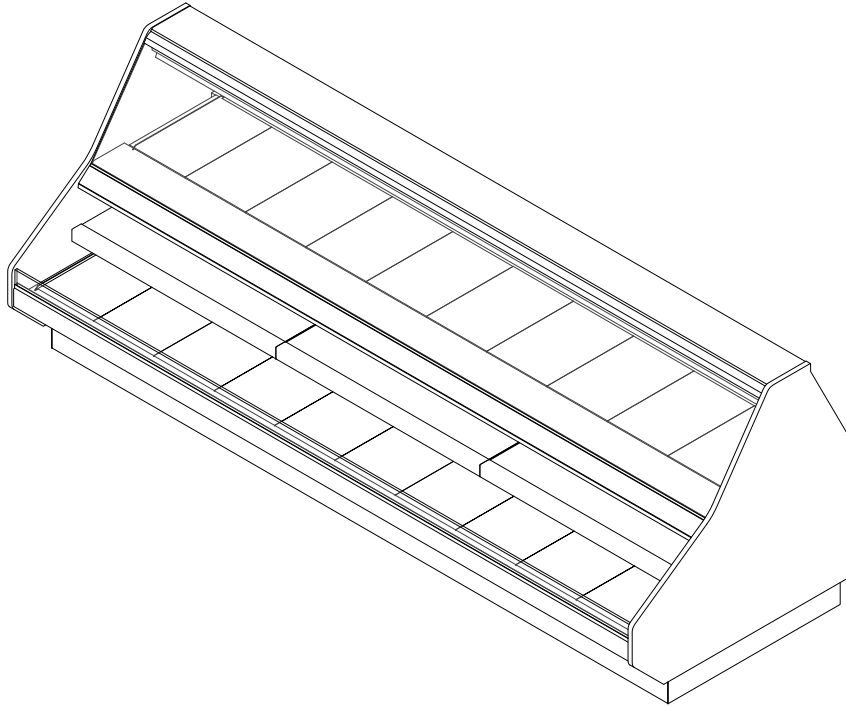


**GENERAL NOTES:**

- "---" Indicates that the feature is not an option on this case model and/or the data is not yet available at this time.
- (DRS) Dry Rear Storage
- Curved glass (optional)



SHIPPING WEIGHT	
Case	Weight
PTD-H-H	---



ENGINEERED FOR STORES WITH AMBIENT CONDITIONS NOT TO EXCEED 75° AND 55% RELATIVE HUMIDITY. DUE TO ENGINEERING IMPROVEMENTS SPECIFICATIONS MAY CHANGE WITHOUT NOTICE. ALL MEASUREMENTS ARE TAKEN PER ASHRAE-72 SPECIFICATIONS. NUMBERS ARE BASED ON STANDARD CASE SIZES. CONSULT ENGINEERING.

**PTD-H-H**

Rev. Date	Rev. #	Rev. Title
03-15-22	4	DATA UPDATE
04-22-21	3	DATA UPDATE

SERVICE DATA (DOME)													
Case Length	Top Heaters		Bottom Heaters		Lights		Shelves		Total Amps (120/208-1-60)		Total Amps (120/208-3-60)		
	Qty	Watts (Each)	Qty	Watts (Each)	Qty	Watts (Each)	Qty	Watts (Each)	L1	L2	L1	L2	L3
4'	3	400	3	400	2	40	---	---	12.34	11.67	3.84	9.61	10.38
6'	4	400	4	400	3	40	---	---	16.66	15.66	7.70	11.55	12.55
8'	6	400	5	400	6	40	---	---	22.73	21.40	13.81	17.77	13.48
10'	7	400	6	400	5	40	---	---	27.01	25.34	19.44	15.13	17.52
12'	8	400	7	400	6	40	---	---	31.29	29.29	21.50	17.77	21.77

SELF-SERVICE (BASE)													
Case Length	Top Heaters		Bottom Heaters		Lights		Shelves		Total Amps (120/208-1-60)		Total Amps (120/208-3-60)		
	Qty	Watts (Each)	Qty	Watts (Each)	Qty	Watts (Each)	Qty	Watts (Each)	L1	L2	L1	L2	L3
4'	3	250	3	400	2	40	1	590	12.21	12.88	12.88	7.03	5.88
6'	4	250	4	400	3	40	2	426	16.61	17.61	13.16	9.40	8.60
8'	6	250	5	400	4	40	2	590	23.84	22.51	17.18	12.96	17.26
10'	7	250	6	400	5	40	2	720	26.87	28.54	17.18	21.37	17.40
12'	8	250	7	400	6	40	3	590	31.71	33.71	21.16	24.21	20.41

SERVICE/SELF-SERVICE					
Case Length	Total Amps (120/208-1-60)		Total Amps (120/208-3-60)		
	L1	L2	L1	L2	L3
4'	24.69	24.87	16.72	16.64	16.26
6'	31.48	31.48	20.86	20.95	21.15
8'	46.23	46.23	30.99	30.73	30.74
10'	54.02	54.02	36.62	36.50	34.92
12'	63.11	63.11	42.66	41.98	42.18

ELECTRICAL DATA					
Case Length	Fans Per Case	Control Fans			
		Dome		Base	
		208 Volts		208 Volts	
		Amps	Watts	Amps	Watts
4'	2	0.22	0.22	0.22	0.22
6'	3	0.22	0.22	0.22	0.22
8'	4	0.33	0.33	0.33	0.33
10'	4	0.44	0.44	0.44	0.44
12'	6	0.66	0.66	0.66	0.66

**NOTES:**

- "----" Indicates that the feature is not an option on this case model and/or the data is not yet available at this time.



ENGINEERED FOR STORES WITH AMBIENT CONDITIONS NOT TO EXCEED 75° AND 55% RELATIVE HUMIDITY. DUE TO ENGINEERING IMPROVEMENTS SPECIFICATIONS MAY CHANGE WITHOUT NOTICE. ALL MEASUREMENTS ARE TAKEN PER ASHRAE-72 SPECIFICATIONS. HILLPHOENIX REFRIGERATED DISPLAY CASES FOR SALE IN THE UNITED STATES MEET OR EXCEED DEPARTMENT OF ENERGY 2017 REQUIREMENTS. NUMBERS ARE BASED ON STANDARD CASE SIZES. CONSULT ENGINEERING.

## PTD-H-H

Rev. Date	Rev. #	Rev. Title
03-15-22	4	DATA UPDATE
04-22-21	3	DATA UPDATE

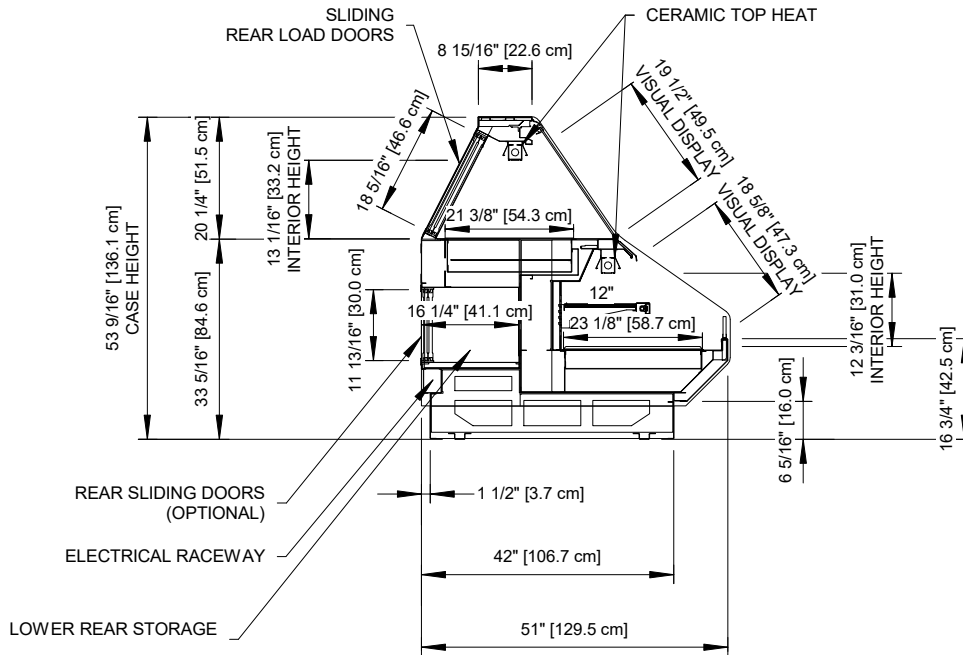
LIGHTING DATA						
Case Length	Lights Per Row	Light Length	Fluorescent Lighting (Per Light Row)			
			Dome		Base	
			Amps	Watts	Amps	Watts
4'	1	3'	---	---	0.09	18.7
6'	2	2'	---	---	0.10	20.8
8'	2	3'	---	---	0.15	31.2
10'	2	4'	---	---	0.20	41.6
12'	3	3'	---	---	0.24	49.9



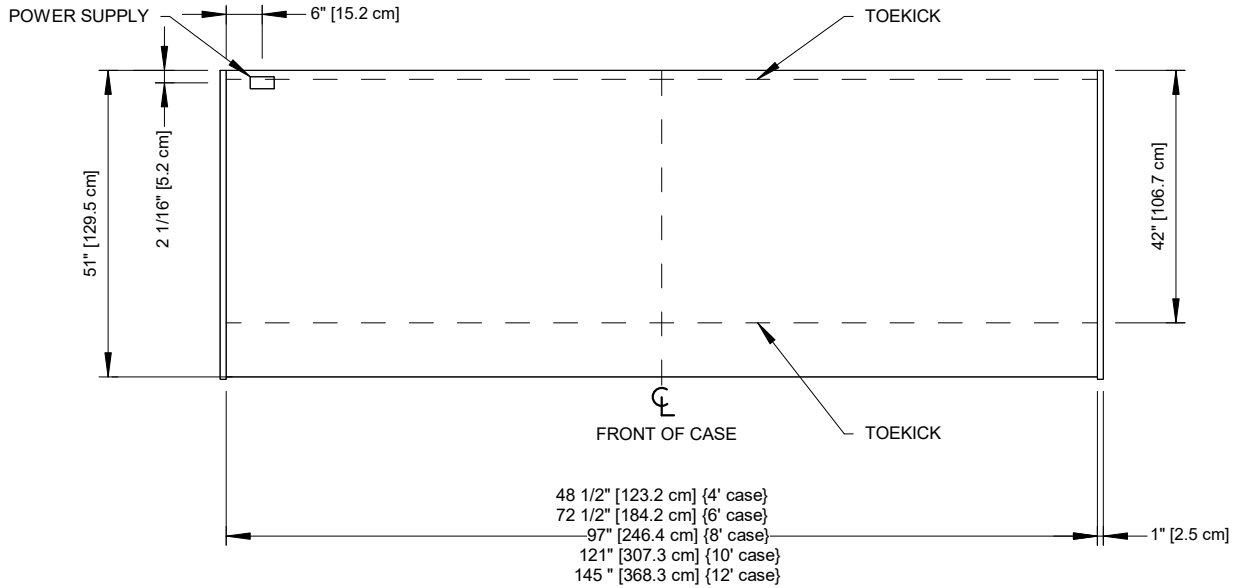
ENGINEERED FOR STORES WITH AMBIENT CONDITIONS NOT TO EXCEED 75° AND 55% RELATIVE HUMIDITY. DUE TO ENGINEERING IMPROVEMENTS SPECIFICATIONS MAY CHANGE WITHOUT NOTICE. ALL MEASUREMENTS ARE TAKEN PER ASHRAE-72 SPECIFICATIONS. NUMBERS ARE BASED ON STANDARD CASE SIZES. CONSULT ENGINEERING.

## PTD-H-H

Rev. Date	Rev. #	Rev. Title
03-15-22	4	DATA UPDATE
04-22-21	3	DATA UPDATE



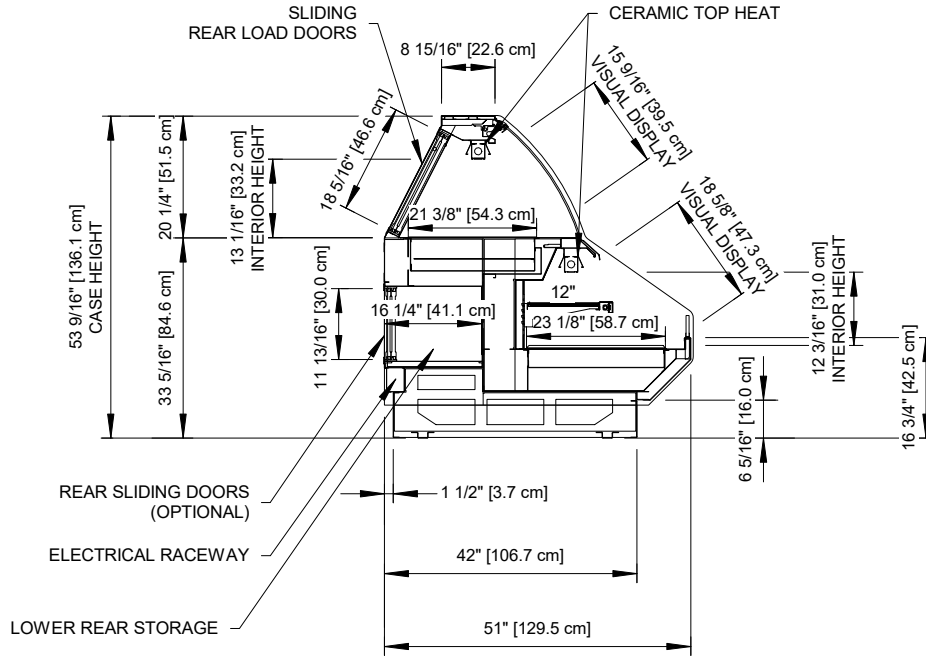
## FLAT GLASS



ENGINEERED FOR STORES WITH AMBIENT CONDITIONS NOT TO EXCEED 75° AND 55% RELATIVE HUMIDITY. DUE TO ENGINEERING IMPROVEMENTS SPECIFICATIONS MAY CHANGE WITHOUT NOTICE. ALL MEASUREMENTS ARE TAKEN PER ASHRAE-72 SPECIFICATIONS. NUMBERS ARE BASED ON STANDARD CASE SIZES. CONSULT ENGINEERING.

## PTD-H-H

Rev. Date	Rev. #	Rev. Title
03-15-22	4	DATA UPDATE
04-22-21	3	DATA UPDATE



## CURVED GLASS (OPTIONAL)



ENGINEERED FOR STORES WITH AMBIENT CONDITIONS NOT TO EXCEED 75° AND 55% RELATIVE HUMIDITY. DUE TO ENGINEERING IMPROVEMENTS SPECIFICATIONS MAY CHANGE WITHOUT NOTICE. ALL MEASUREMENTS ARE TAKEN PER ASHRAE-72 SPECIFICATIONS. NUMBERS ARE BASED ON STANDARD CASE SIZES. CONSULT ENGINEERING.

## PTD-H-H

Rev. Date	Rev. #	Rev. Title
03-15-22	4	DATA UPDATE
04-22-21	3	DATA UPDATE