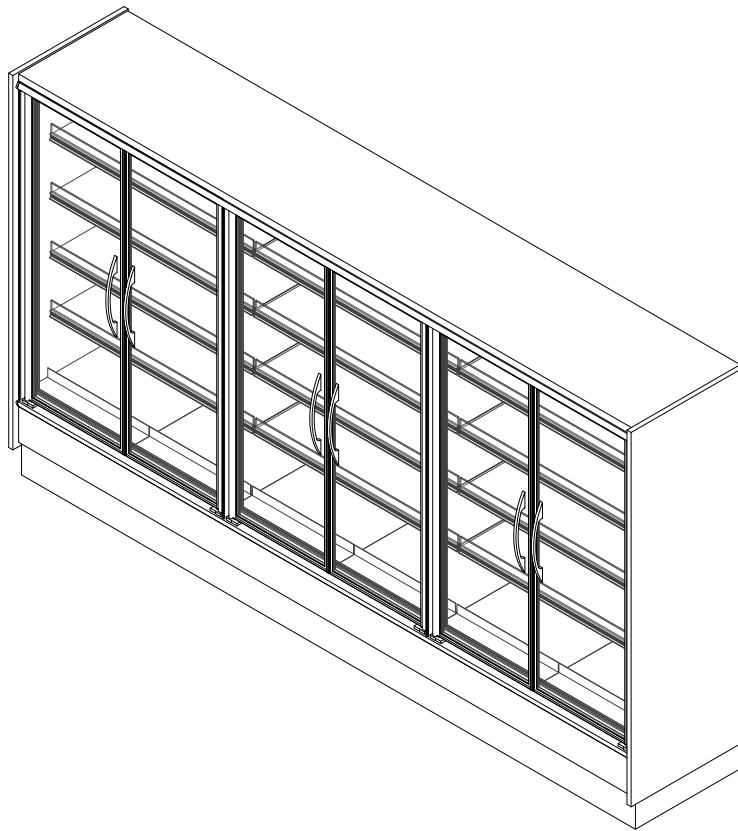


QCD-26-R

Self-Service Multi-Deck In-Line Air Screen Merchandiser
4', 5', 6', 8' & 12' (Beverage/Dairy/Deli/Produce/Meat/Seafood)

GENERAL NOTES:

- "----" Indicates that the feature is not an option on this case model and/or the data is not yet available at this time.



SHIPPING WEIGHT

Case	Weight
QCD-26-R	---

2017
DOE
COMPLIANT



Intertek



Intertek

ENGINEERED FOR STORES WITH AMBIENT CONDITIONS NOT TO EXCEED 75° AND 55% RELATIVE HUMIDITY. DUE TO ENGINEERING IMPROVEMENTS SPECIFICATIONS MAY CHANGE WITHOUT NOTICE. ALL MEASUREMENTS ARE TAKEN PER ASHRAE-72 SPECIFICATIONS. HILLPHOENIX REFRIGERATED DISPLAY CASES FOR SALE IN THE UNITED STATES MEET OR EXCEED DEPARTMENT OF ENERGY 2017 REQUIREMENTS. NUMBERS ARE BASED ON STANDARD CASE SIZES. CONSULT ENGINEERING.

QCD-26-R

Rev. Date	Rev. #	Rev. Title
07-26-22	4	DATA UPDATE
04-21-22	3	DATA UPDATE

Hillphoenix
a **DOVER** company

QCD-26-R

Self-Service Multi-Deck In-Line Air Screen Merchandiser
4', 5', 6', 8' & 12' (Beverage/Dairy/Deli/Produce/Meat/Seafood)

ELECTRICAL DATA					
Case Length	Fans Per Case	120 Volts			
		High Efficiency Fans		Anti-Condensate Data	
		Amps	Watts	Vista Frames	
				Unheated Doors	
				Infinity 60	
Amps	Watts	Amps	Watts		
4'	2	0.43	50	0.18	22
5'	6	0.43	50	0.32	38
6'	2	0.43	50	0.35	42
8'	2	0.87	50	0.39	47
12'	6	1.30	150	0.63	76

LIGHTING DATA		
Case Length	OP7 French Swing	
	120 Volts	
	Amps	Watts
4'	0.23	28.0
5'	0.28	33.0
6'	0.44	52.3
8'	0.44	52.3
12'	0.64	76.6

GUIDELINES AND CONTROL SETTINGS (DX) {NSF TYPE 1 75F/55%RH} {DIRECT EXPANSION HFC/CO2}								
Case Application	Case Depth	Case Length	BTUH/ft		Superheat Set Point @ Bulb (°F)	Evaporator (°F)	Discharge Air (°F)	Discharge Air Velocity (FPM)
			Conventional	Parallel				
Beverage/Dairy/Produce	26"	4' & 5'	363	333	6 - 8	30	38	132
Deli	26"	4' & 5'	386	354	6 - 8	28	35	132
Meat/Seafood	26"	4' & 5'	407	374	6 - 8	26	33	132
Beverage/Dairy/Produce	26"	6', 8' & 12'	302	277	6 - 8	30	38	132
Deli	26"	6', 8' & 12'	322	296	6 - 8	28	35	132
Meat/Seafood	26"	6', 8' & 12'	339	311	6 - 8	26	33	132

NOTES:

- "---" Indicates that the feature is not an option on this case model and/or the data is not yet available at this time.
- Listed discharge air velocity represents the average velocity at the peak of defrost.
- Discharge air temperature values represent readings taken within the upper air channel immediately behind/upstream of the honeycomb.
- 5' length available only in 26" deep configuration.



ENGINEERED FOR STORES WITH AMBIENT CONDITIONS NOT TO EXCEED 75° AND 55% RELATIVE HUMIDITY. DUE TO ENGINEERING IMPROVEMENTS SPECIFICATIONS MAY CHANGE WITHOUT NOTICE. ALL MEASUREMENTS ARE TAKEN PER ASHRAE-72 SPECIFICATIONS. HILLPHOENIX REFRIGERATED DISPLAY CASES FOR SALE IN THE UNITED STATES MEET OR EXCEED DEPARTMENT OF ENERGY 2017 REQUIREMENTS. NUMBERS ARE BASED ON STANDARD CASE SIZES. CONSULT ENGINEERING.

QCD-26-R

Rev. Date	Rev. #	Rev. Title
07-26-22	4	DATA UPDATE
04-21-22	3	DATA UPDATE



QCD-26-R

Self-Service Multi-Deck In-Line Air Screen Merchandiser
4', 5', 6', 8' & 12' (Beverage/Dairy/Deli/Produce/Meat/Seafood)

GUIDELINES AND CONTROL SETTINGS (DX) {NSF TYPE 2 80F/55%RH} {DIRECT EXPANSION HFC/CO2}								
Case Application	Case Depth	Case Length	BTUH/ft		Superheat Set Point @ Bulb (°F)	Evaporator (°F)	Discharge Air (°F)	Discharge Air Velocity (FPM)
			Conventional	Parallel				
Deli	26"	4'	435	398	6 - 8	28	35	132
Deli	26"	6', 8' & 12'	363	333	6 - 8	28	35	132

DEFROST CONTROLS {DIRECT EXPANSION HFC/CO2}							
Defrosts Per Day	Run-Off Time (Min)	Electric Defrost		Timed-Off Defrost		Hot Gas Defrost	
		Fail-Safe (Min)	Termination Temp (°F)	Fail Safe (Min)	Termination Temp (°F)	Fail-Safe (Min)	Termination Temp (°F)
4	---	---	---	30	45	---	---



ENGINEERED FOR STORES WITH AMBIENT CONDITIONS NOT TO EXCEED 75° AND 55% RELATIVE HUMIDITY. DUE TO ENGINEERING IMPROVEMENTS SPECIFICATIONS MAY CHANGE WITHOUT NOTICE. ALL MEASUREMENTS ARE TAKEN PER ASHRAE-72 SPECIFICATIONS. HILLPHOENIX REFRIGERATED DISPLAY CASES FOR SALE IN THE UNITED STATES MEET OR EXCEED DEPARTMENT OF ENERGY 2017 REQUIREMENTS. NUMBERS ARE BASED ON STANDARD CASE SIZES. CONSULT ENGINEERING.

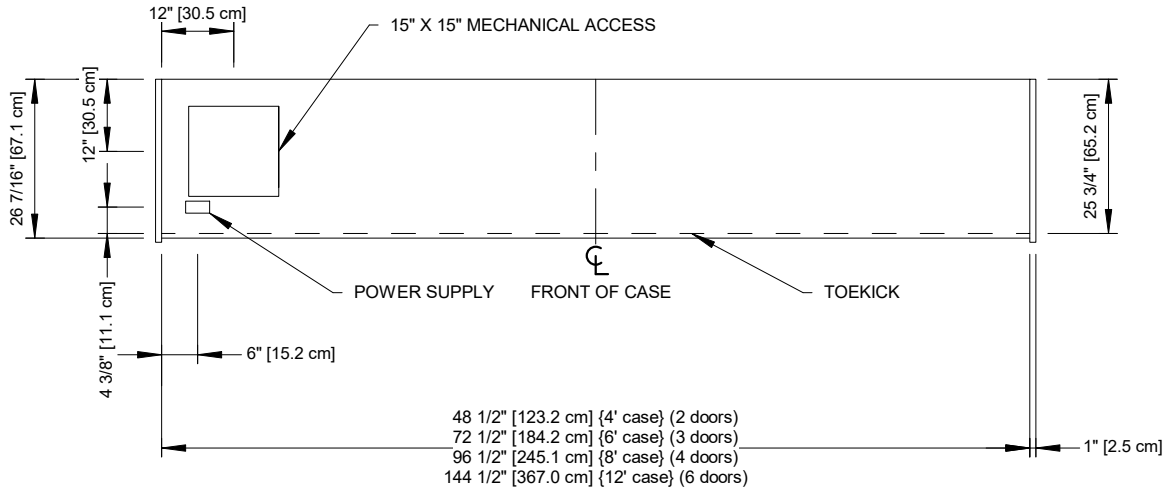
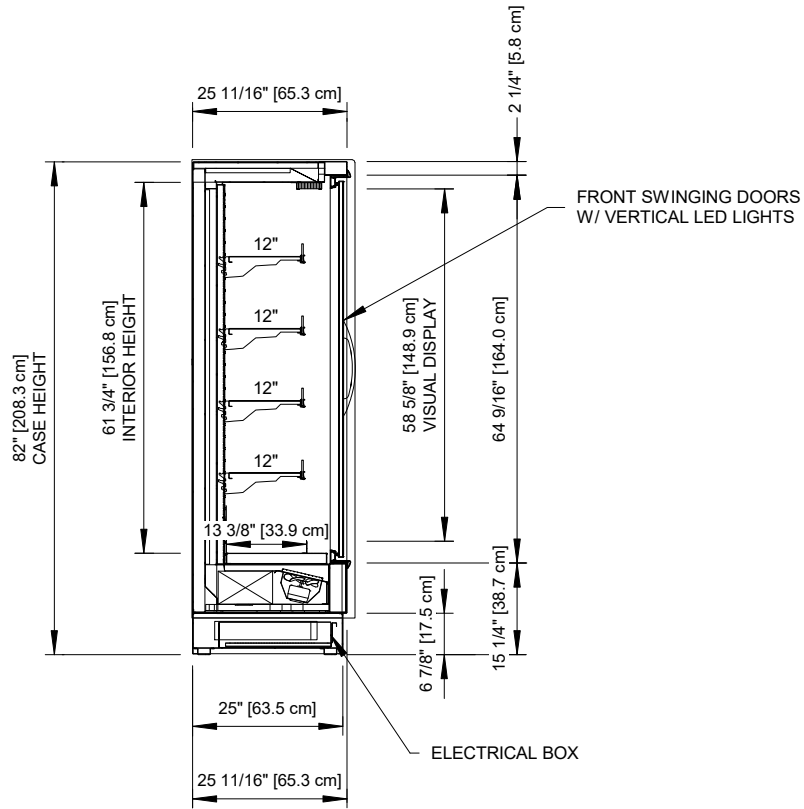
QCD-26-R

Rev. Date	Rev. #	Rev. Title
07-26-22	4	DATA UPDATE
04-21-22	3	DATA UPDATE



QCD-26-R

Self-Service Multi-Deck In-Line Air Screen Merchandiser
4', 5', 6', 8' & 12' (Beverage/Dairy/Deli/Produce/Meat/Seafood)



2017
DOE
COMPLIANT



Intertek

Intertek

ENGINEERED FOR STORES WITH AMBIENT CONDITIONS NOT TO EXCEED 75° AND 55% RELATIVE HUMIDITY. DUE TO ENGINEERING IMPROVEMENTS SPECIFICATIONS MAY CHANGE WITHOUT NOTICE. ALL MEASUREMENTS ARE TAKEN PER ASHRAE-72 SPECIFICATIONS. HILLPHOENIX REFRIGERATED DISPLAY CASES FOR SALE IN THE UNITED STATES MEET OR EXCEED DEPARTMENT OF ENERGY 2017 REQUIREMENTS. NUMBERS ARE BASED ON STANDARD CASE SIZES. CONSULT ENGINEERING.

QCD-26-R

Rev. Date	Rev. #	Rev. Title
07-26-22	4	DATA UPDATE
04-21-22	3	DATA UPDATE

Hillphoenix
a DOVER company