

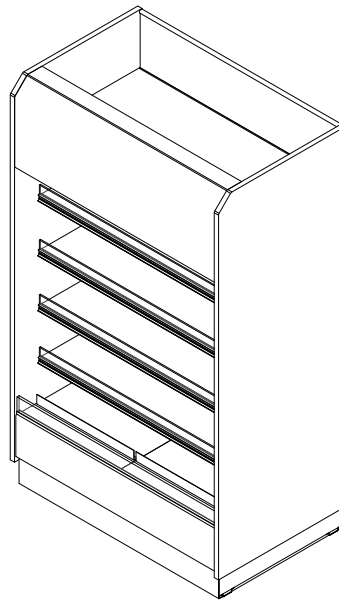
# QTM-47-30-SC

Self-Service Open Multi-Deck Top-Mount Merchandiser  
47" (Beverage/Dairy/Deli/Produce)



**GENERAL NOTES:**

- "---" Indicates that the feature is not an option on this case model and/or the data is not yet available at this time.



SHIPPING WEIGHT	
Case	Weight
QTM-47-30-SC	---



## QTM-47-30-SC

Rev. Date	Rev. #	Rev. Title
03-15-22	2	DATA UPDATE
02-17-21	1	NEW STANDARDS

ALL MEASUREMENTS ARE TAKEN PER ASHRAE-72-2005 SPECIFICATIONS. HILLPHOENIX REFRIGERATED DISPLAY CASES FOR SALE IN THE UNITED STATES MEET OR EXCEED DEPARTMENT OF ENERGY 2017 REQUIREMENTS.





### SYSTEM REQUIREMENTS

Case Length	Volts	Phase	Total Amps	Minimum Circuit Ampacity	Maximum Overcurrent Protection
47"	120/208	1	8.0	9.5	15.5

### ELECTRICAL DATA

Case Length	Fans Per Case	High Efficiency Fans		Anti-Condensate Fans		Drain Pumps		Evaporator Pan Heaters			Auxiliary Fans	
		115 Volts		120 Volts		120 Volts		Volts	Amps	Watts	120 Volts	
		Amps	Watts	Amps	Watts	Amps	Watts				Amps	Watts
47"	2	0.60	25	---	---	1.5	93	---	---	---	---	---

### LIGHTING DATA

Case Length	Lights Per Row	Light Length	Clearvoyant 4 LED Lighting (Per Light Row)			
			Standard Power (Cornice or Shelf)		High Power (Cornice)	
			120 Volts		120 Volts	
			Amps	Watts	Amps	Watts
47"	1	3'	0.04	4.7	0.10	11.9

### GUIDELINES AND CONTROL SETTINGS

24hr Energy Usage (kWh/ft)	Suction Temperature @ Case Outlet (°F)	Superheat Set Point @ Bulb (°F)	Discharge Air (°F)	Discharge Air Velocity (FPM)
15.2	---	---	30 - 35	100

### CONDENSING UNIT DATA

Case Length	Volts	Phase	HP	RLA (Amps)	LRA (Amps)	Refrig.	Grams	Condenser Fans	
								Amps	Watts
47"	208-230	1	---	6.0	33.7	R290	134	0.53	30

### DEFROST CONTROLS

Case Length	Defrosts Per Day	Run-Off Time (Min)	Electric Defrost		Timed-Off Defrost		Hot Gas Defrost	
			Fail-Safe (Min)	Termination Temp (°F)	Fail Safe (Min)	Termination Temp (°F)	Fail-Safe (Min)	Termination Temp (°F)
47"	6	---	---	---	30	45	---	---

### NOTES:

- "----" Indicates that the feature is not an option on this case model and/or the data is not yet available at this time.
- Listed discharge air velocity represents the average velocity at the peak of defrost.
- RLA - Running Load Amps
- LRA - Locked Rotor Amps



### QTM-47-30-SC

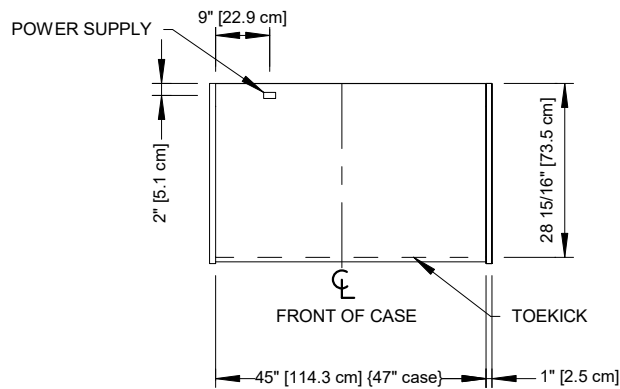
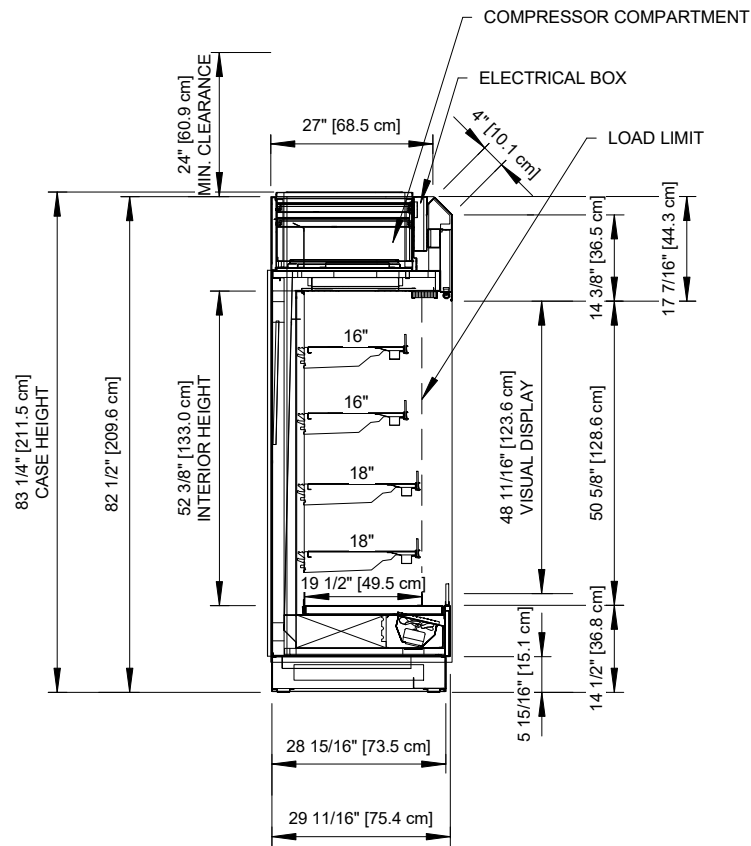
ALL MEASUREMENTS ARE TAKEN PER ASHRAE-72-2005 SPECIFICATIONS. HILLPHOENIX REFRIGERATED DISPLAY CASES FOR SALE IN THE UNITED STATES MEET OR EXCEED DEPARTMENT OF ENERGY 2017 REQUIREMENTS.

Rev. Date	Rev. #	Rev. Title
03-15-22	2	DATA UPDATE
02-17-21	1	NEW STANDARDS



# QTM-47-30-SC

Self-Service Open Multi-Deck Top-Mount Merchandiser  
47" (Beverage/Dairy/Deli/Produce)



## QTM-47-30-SC

Rev. Date	Rev. #	Rev. Title
03-15-22	2	DATA UPDATE
02-17-21	1	NEW STANDARDS



ALL MEASUREMENTS ARE TAKEN PER ASHRAE-72-2005 SPECIFICATIONS. HILLPHOENIX REFRIGERATED DISPLAY CASES FOR SALE IN THE UNITED STATES MEET OR EXCEED DEPARTMENT OF ENERGY 2017 REQUIREMENTS.