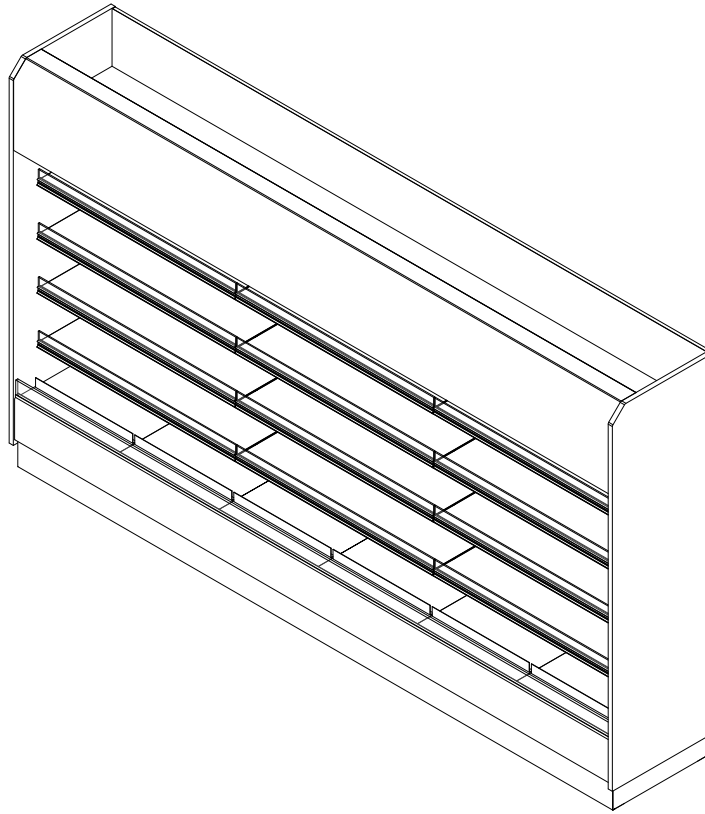


QTM-24-SC

Self-Service Open Multi-Deck Top-Mount Merchandiser
36, 47, 68, 72, 95, 120 & 143 (Beverage/Dairy/Deli/Produce)

GENERAL NOTES:

- "---" Indicates that the feature is not an option on this case model and/or the data is not yet available at this time.



SHIPPING WEIGHT	
Case	Weight
QTM-24-SC	---



ENGINEERED FOR STORES WITH AMBIENT CONDITIONS NOT TO EXCEED 75° AND 55% RELATIVE HUMIDITY. DUE TO ENGINEERING IMPROVEMENTS SPECIFICATIONS MAY CHANGE WITHOUT NOTICE. ALL MEASUREMENTS ARE TAKEN PER ASHRAE-72 SPECIFICATIONS. HILLPHOENIX REFRIGERATED DISPLAY CASES FOR SALE IN THE UNITED STATES MEET OR EXCEED DEPARTMENT OF ENERGY 2017 REQUIREMENTS. NUMBERS ARE BASED ON STANDARD CASE SIZES. CONSULT ENGINEERING.

QTM-24-SC

Rev. Date	Rev. #	Rev. Title
03-15-22	4	DATA UPDATE
02-07-22	3	DATA UPDATE



QTM-24-SC

Self-Service Open Multi-Deck Top-Mount Merchandiser
36, 47, 68, 72, 95, 120 & 143 (Beverage/Dairy/Deli/Produce)

SYSTEM REQUIREMENTS

Case Length	Volts	Phase	Total Amps	Minimum Circuit Ampacity	Maximum Overcurrent Protection
36"	120	1	17.20	21	25
47"	120	1	20.05	25	30
68"	120/208	1	15.55	19	25
72"	120/208	1	16.35	20	25
95"	120/208	1	19.20	24	30
120.5"	120/208	1	25.62	31	40
142"	120/208	1	32.60	40	50

ELECTRICAL DATA

Case Length	Fans Per Case	High Efficiency Fans		Anti-Condensate Fans		Drain Pumps		Evaporator Pan Heaters			Auxiliary Fans	
		120 Volts		120 Volts		120 Volts		Volts	Amps	Watts	120 Volts	
		Amps	Watts	Amps	Watts	Amps	Watts				Amps	Watts
36"	2	0.60	72	---	---	1.5	---	120	8.30	1000	---	---
47"	3	0.90	108	---	---	1.5	---	120	8.30	1000	---	---
68"	4	1.20	144	---	---	1.5	---	208	7.20	1500	---	---
72"	4	1.20	144	---	---	1.5	---	208	7.20	1500	---	---
95"	4	1.20	144	---	---	1.5	---	208	7.20	1500	---	---
120.5"	6	1.80	216	---	---	1.5	---	208	9.62	2000	---	---
142"	8	2.40	288	---	---	1.5	---	208	14.40	3000	---	---

LIGHTING DATA

Case Length	Lights Per Row	Light Length	Clearvoyant 4 LED Lighting (Per Light Row)			
			Standard Power (Cornice or Shelf)		High Power (Cornice)	
			120 Volts		120 Volts	
			Amps	Watts	Amps	Watts
36"	1	3'	0.04	4.7	0.10	14.9
47"	1	3'	0.04	4.7	0.10	14.9
68"	1	5'	0.06	7.5	0.15	18.5
72"	2	2'	0.06	7.5	0.15	18.5
95"	2	3'	0.08	9.4	0.20	23.8
120.5"	2	5'	0.12	15.0	0.30	37.0
142"	3	4'	0.15	17.3	0.36	44.7

NOTES:

- Listed discharge air velocity represents the average velocity at the peak of defrost.
- LRA - Locked Rotor Amps
- RLA - Running Load Amps
- 2 condenser units are required for the 120.5" and 142" cases.



Intertek

Intertek

ENGINEERED FOR STORES WITH AMBIENT CONDITIONS NOT TO EXCEED 75° AND 55% RELATIVE HUMIDITY. DUE TO ENGINEERING IMPROVEMENTS SPECIFICATIONS MAY CHANGE WITHOUT NOTICE. ALL MEASUREMENTS ARE TAKEN PER ASHRAE-72 SPECIFICATIONS. HILLPHOENIX REFRIGERATED DISPLAY CASES FOR SALE IN THE UNITED STATES MEET OR EXCEED DEPARTMENT OF ENERGY 2017 REQUIREMENTS. NUMBERS ARE BASED ON STANDARD CASE SIZES. CONSULT ENGINEERING.

QTM-24-SC

Rev. Date	Rev. #	Rev. Title
03-15-22	4	DATA UPDATE
02-07-22	3	DATA UPDATE



QTM-24-SC

Self-Service Open Multi-Deck Top-Mount Merchandiser
36, 47, 68, 72, 95, 120 & 143 (Beverage/Dairy/Deli/Produce)

GUIDELINES AND CONTROL SETTINGS				
24hr Energy Usage (kWh/ft)	Suction Temperature @ Case Outlet (°F)	Superheat Set Point @ Bulb (°F)	Discharge Air (°F)	Discharge Air Velocity (FPM)
---	20	8	36 - 38	90 - 100

CONDENSING UNIT DATA									
Case Length	Volts	Phase	HP	RLA (Amps)	LRA (Amps)	Refrig.	Condenser Fans		Lbs. of Refrig.
							Amps	Watts	
36"	120	1	1/2	6.60	55.50	448a	1.40	29	2.9
47"	120	1	3/4	8.35	70.00	448a	1.70	35	4.4
68"	208	1	1	5.75	46.00	448a	0.90	108	5.1
72"	208	1	1 1/2	6.15	51.00	448a	1.20	108	5.1
95"	208	1	2	8.90	55.00	448a	1.20	216	5.1
120.5"	208	1	2	11.50	46.00	448a	1.80	108	5.1
142"	208	1	3	12.30	51.00	448a	2.40	108	5.1

DEFROST CONTROLS							
Defrosts Per Day	Run-Off Time (Min)	Electric Defrost		Timed-Off Defrost		Hot Gas Defrost	
		Fail-Safe (Min)	Termination Temp (°F)	Fail Safe (Min)	Termination Temp (°F)	Fail-Safe (Min)	Termination Temp (°F)
6	---	---	---	30	42	---	---



ENGINEERED FOR STORES WITH AMBIENT CONDITIONS NOT TO EXCEED 75° AND 55% RELATIVE HUMIDITY. DUE TO ENGINEERING IMPROVEMENTS SPECIFICATIONS MAY CHANGE WITHOUT NOTICE. ALL MEASUREMENTS ARE TAKEN PER ASHRAE-72 SPECIFICATIONS. HILLPHOENIX REFRIGERATED DISPLAY CASES FOR SALE IN THE UNITED STATES MEET OR EXCEED DEPARTMENT OF ENERGY 2017 REQUIREMENTS. NUMBERS ARE BASED ON STANDARD CASE SIZES. CONSULT ENGINEERING.

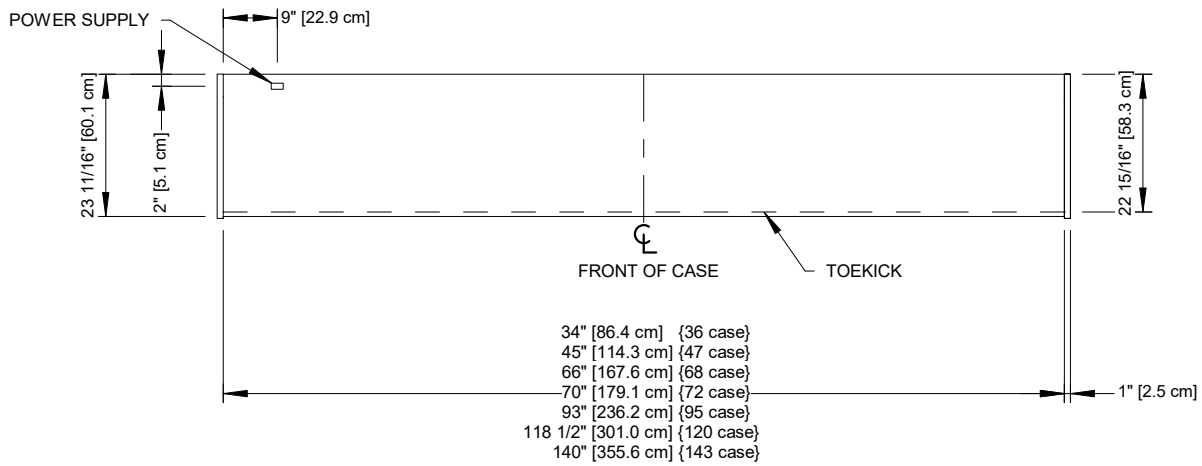
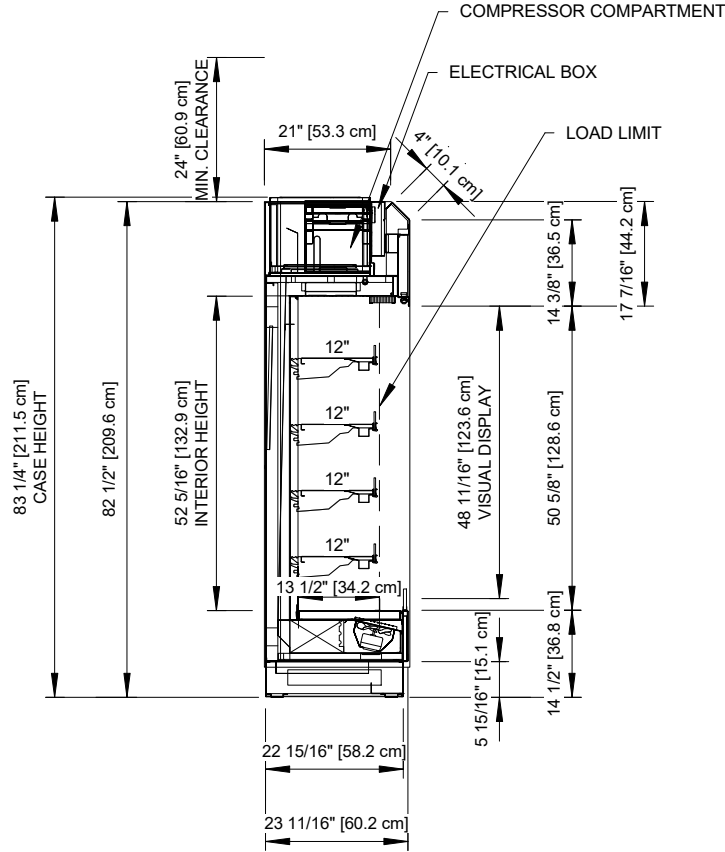
QTM-24-SC

Rev. Date	Rev. #	Rev. Title
03-15-22	4	DATA UPDATE
02-07-22	3	DATA UPDATE



QTM-24-SC

Self-Service Open Multi-Deck Top-Mount Merchandiser
36, 47, 68, 72, 95, 120 & 143 (Beverage/Dairy/Deli/Produce)



Intertek Intertek

ENGINEERED FOR STORES WITH AMBIENT CONDITIONS NOT TO EXCEED 75° AND 55% RELATIVE HUMIDITY. DUE TO ENGINEERING IMPROVEMENTS SPECIFICATIONS MAY CHANGE WITHOUT NOTICE. ALL MEASUREMENTS ARE TAKEN PER ASHRAE-72 SPECIFICATIONS. HILLPHOENIX REFRIGERATED DISPLAY CASES FOR SALE IN THE UNITED STATES MEET OR EXCEED DEPARTMENT OF ENERGY 2017 REQUIREMENTS. NUMBERS ARE BASED ON STANDARD CASE SIZES. CONSULT ENGINEERING.

QTM-24-SC

Rev. Date	Rev. #	Rev. Title
03-15-22	4	DATA UPDATE
02-07-22	3	DATA UPDATE

