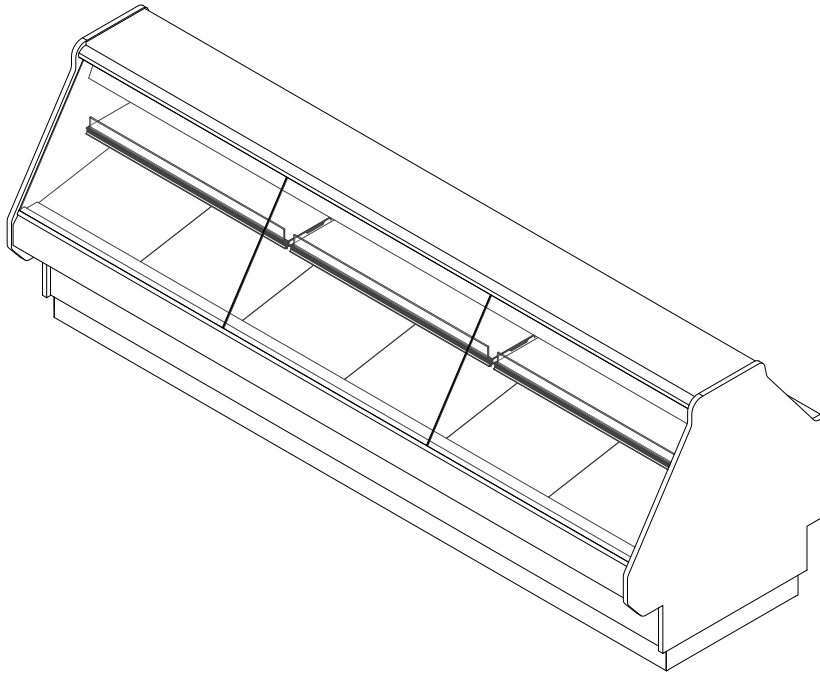


**GENERAL NOTES:**

- "---" Indicates that the feature is not an option on this case model and/or the data is not yet available at this time.
- Curved glass (optional)
- Shelving shown (optional)



SHIPPING WEIGHT	
Case	Weight
S2SGC	---



**S2SGC**

Rev. Date	Rev. #	Rev. Title
09-08-22	3	ENDVIEW UPDATE
03-15-22	2	DATA UPDATE



ALL MEASUREMENTS ARE TAKEN PER ASHRAE-72 SPECIFICATIONS. HILLPHOENIX REFRIGERATED DISPLAY CASES FOR SALE IN THE UNITED STATES MEET OR EXCEED DEPARTMENT OF ENERGY 2017 REQUIREMENTS.

ELECTRICAL DATA									
Case Length	Fans Per Case	High Efficiency Fans		Anti-Condensate Fans		Drain Heaters		Optional Defrost Heaters	
		120 Volts		120 Volts		120 Volts		208 Volts	
		Amps	Watts	Amps	Watts	Amps	Watts	Amps	Watts
4'	---	---	---	---	---	---	---	---	---
6'	---	---	---	---	---	---	---	---	---
8'	---	---	---	---	---	---	---	---	---
10'	---	---	---	---	---	---	---	---	---
12'	---	---	---	---	---	---	---	---	---

ELECTRICAL DATA	
Remote Secondary/ Semi Self-Contained	
120 Volts	
Amps	Watts
2	240

LIGHTING DATA						
Case Length	Lights Per Row	Light Length	Clearvoyant 4 LED Lighting (Per Light Row)			
			Standard Power (Cornice or Shelf)		High Power (Cornice)	
			120 Volts		120 Volts	
			Amps	Watts	Amps	Watts
4'	1	4'	0.05	5.9	0.12	14.9
6'	2	3'	0.08	9.4	0.20	23.8
8'	2	4'	0.10	11.8	0.24	29.8
10'	2	5'	0.12	15.0	0.30	37.0
12'	3	4'	0.15	17.7	0.36	44.7

GUIDELINES AND CONTROL SETTINGS (REMOTE SECONDARY/SEMI SELF-CONTAINED)							
BTUH/ft		Glycol Supply Temp (°F)	DX SST Chiller Temp (°F)	Glycol Flow Rate (GPM/ft)	Glycol Charge (GAL/ft)	Glycol Max. Working Pressure (PSIG)	Max. Static Pressure (PSIG)
Conventional	Parallel						
390	385	26	20	0.45	0.30	50	---

CUT-IN/CUT-OUT		
	Cut-In Temp (°F)	Cut-Out Temp (°F)
Pans	33	29
Top Coil	36	31
Shelves	33	29

### NOTES:

- "----" Indicates that the feature is not an option on this case model and/or the data is not yet available at this time.
- Semi Self-Contained is NOT available in a 4' case.
- Listed BTUH indicates unlighted shelves. Add the following for lighted shelves:  
4' Shelf LED: 36 BTUH  
4' Canopy LED: 72 BTUH  
3' Shelf LED: 27 BTUH  
3' Hi-Output LED: 54 BTUH
- Listed data is based on the factory recommended default fresh meat temperature settings.
- Shelves are not recommended for fresh meat applications.



S2SGC



ALL MEASUREMENTS ARE TAKEN PER ASHRAE-72 SPECIFICATIONS. HILLPHOENIX REFRIGERATED DISPLAY CASES FOR SALE IN THE UNITED STATES MEET OR EXCEED DEPARTMENT OF ENERGY 2017 REQUIREMENTS.

Rev. Date	Rev. #	Rev. Title
09-08-22	3	ENDVIEW UPDATE
03-15-22	2	DATA UPDATE

DEFROST CONTROLS							
Defrosts Per Day	Run-Off Time (Min)	Electric Defrost		Timed-Off Defrost		Hot Gas Defrost	
		Fail-Safe (Min)	Termination Temp (°F)	Fail-Safe (Min)	Termination Temp (°F)	Fail-Safe (Min)	Termination Temp (°F)
1	---	---	---	60	45	---	---

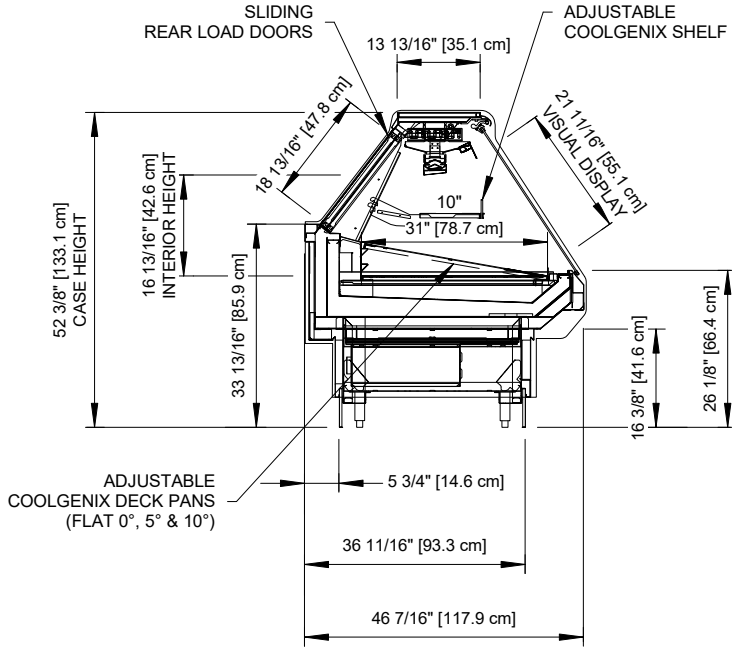


## S2SGC

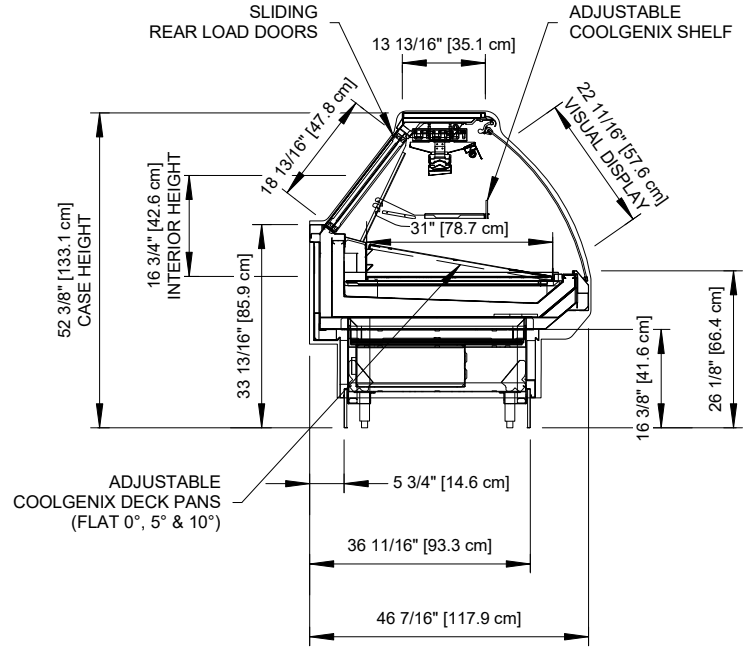
ALL MEASUREMENTS ARE TAKEN PER ASHRAE-72 SPECIFICATIONS. HILLPHOENIX REFRIGERATED DISPLAY CASES FOR SALE IN THE UNITED STATES MEET OR EXCEED DEPARTMENT OF ENERGY 2017 REQUIREMENTS.

Rev. Date	Rev. #	Rev. Title
09-08-22	3	ENDVIEW UPDATE
03-15-22	2	DATA UPDATE

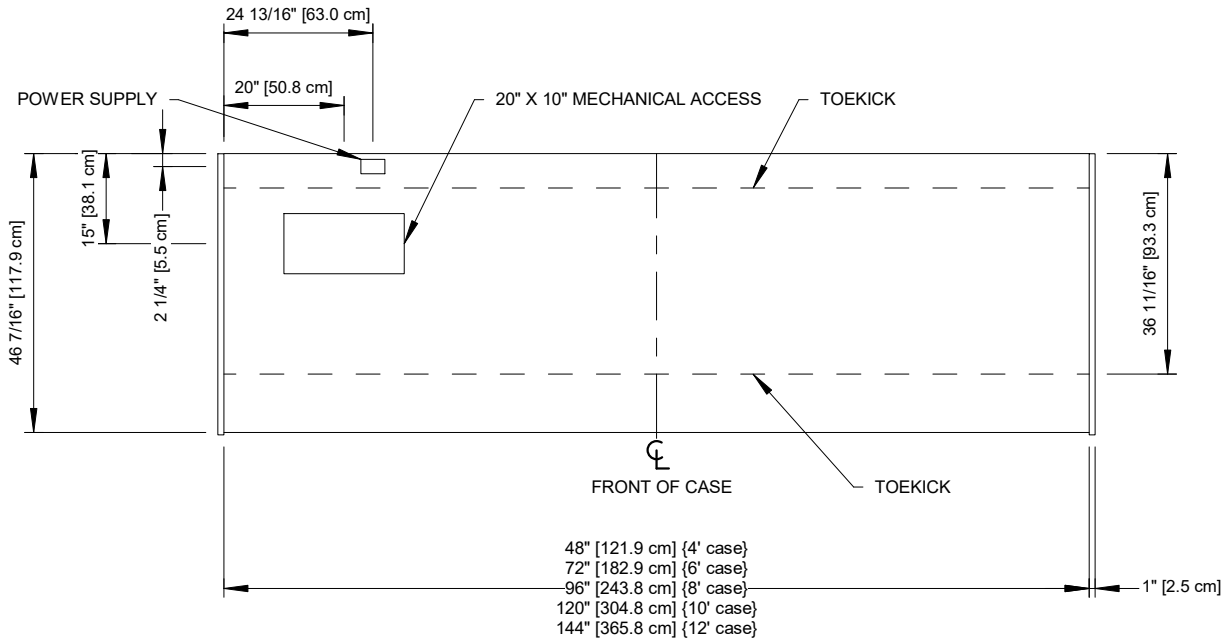




**FLAT GLASS**



**CURVED GLASS**



**NOTES:**

- Shown with optional shelving.



**S2SGC**



a DOVER company

ALL MEASUREMENTS ARE TAKEN PER ASHRAE-72 SPECIFICATIONS. HILLPHOENIX REFRIGERATED DISPLAY CASES FOR SALE IN THE UNITED STATES MEET OR EXCEED DEPARTMENT OF ENERGY 2017 REQUIREMENTS.

Rev. Date	Rev. #	Rev. Title
09-08-22	3	ENDVIEW UPDATE
03-15-22	2	DATA UPDATE