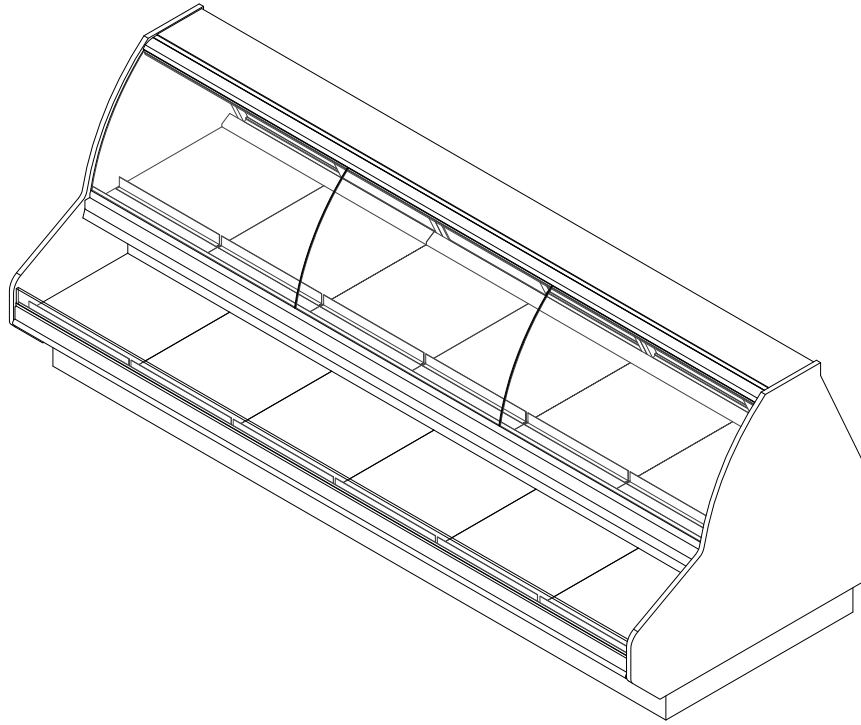


# SD-R SPHERICAL

Self-Service Single-Deck Radius Merchandiser w/ Service Dome  
4', 6', 8', 10' & 12' (Bakery/Deli/Meat/Seafood)

**GENERAL NOTES:**

- "---" Indicates that the feature is not an option on this case model and/or the data is not yet available at this time.



SHIPPING WEIGHT	
Case	Weight
SD-R SPHERICAL	---



ENGINEERED FOR STORES WITH AMBIENT CONDITIONS NOT TO EXCEED 75° AND 55% RELATIVE HUMIDITY. DUE TO ENGINEERING IMPROVEMENTS SPECIFICATIONS MAY CHANGE WITHOUT NOTICE. ALL MEASUREMENTS ARE TAKEN PER ASHRAE-72 SPECIFICATIONS. HILLPHOENIX REFRIGERATED DISPLAY CASES FOR SALE IN THE UNITED STATES MEET OR EXCEED DEPARTMENT OF ENERGY 2017 REQUIREMENTS. NUMBERS ARE BASED ON STANDARD CASE SIZES. CONSULT ENGINEERING.

## SD-R SPHERICAL

Rev. Date	Rev. #	Rev. Title
03-10-22	2	DATA UPDATE
05-21-21	1	NEW STANDARDS



# SD-R SPHERICAL

Self-Service Single-Deck Radius Merchandiser w/ Service Dome  
4', 6', 8', 10' & 12' (Bakery/Deli/Meat/Seafood)

ELECTRICAL DATA (DOME)									
Case Length	Fans Per Case	High Efficiency Fans		Anti-Condensate Fans		Drain Heaters		Optional Defrost Heaters	
		120 Volts		120 Volts		120 Volts		208 Volts	
		Amps	Watts	Amps	Watts	Amps	Watts	Amps	Watts
4'	1	0.30	36	---	---	---	---	---	---
6'	2	0.60	72	---	---	---	---	---	---
8'	2	0.60	72	---	---	---	---	---	---
10'	3	0.90	108	---	---	---	---	---	---
12'	3	0.90	108	---	---	---	---	---	---

ELECTRICAL DATA (BASE)									
Case Length	Fans Per Case	High Efficiency Fans		Anti-Condensate Fans		Drain Heaters		Defrost Heaters	
		120 Volts		120 Volts		120 Volts		208 Volts	
		Amps	Watts	Amps	Watts	Amps	Watts	Amps	Watts
4'	1	0.30	36	---	---	---	---	---	---
6'	1	0.30	36	---	---	---	---	---	---
8'	2	0.60	72	---	---	---	---	---	---
10'	2	0.60	72	---	---	---	---	---	---
12'	3	0.90	108	---	---	---	---	---	---

LIGHTING DATA						
Case Length	Lights Per Row	Light Length	Clearvoyant 4 LED Lighting (Per Light Row)			
			Standard Power (Cornice or Shelf)		High Power (Cornice)	
			120 Volts		120 Volts	
			Amps	Watts	Amps	Watts
4'	1	4'	0.05	5.9	0.12	14.9
6'	2	3'	0.08	9.4	0.20	23.8
8'	2	4'	0.10	11.8	0.24	29.8
10'	2	5'	0.12	15.0	0.30	37.0
12'	3	4'	0.15	17.7	0.36	44.7

## NOTES:

- "----" Indicates that the feature is not an option on this case model and/or the data is not yet available at this time.
- Listed BTUH indicates unlighted shelves. Add the following for lighted shelves:  
4' Shelf LED: 36 BTUH  
4' Canopy LED: 72 BTUH  
3' Shelf LED: 27 BTUH  
3' Hi-Output LED: 54 BTUH
- Listed discharge air velocity represents the average velocity at the peak of defrost.
- Discharge air temperature values represent readings taken within the upper air channel immediately behind/upstream of the honeycomb.



ENGINEERED FOR STORES WITH AMBIENT CONDITIONS NOT TO EXCEED 75° AND 55% RELATIVE HUMIDITY. DUE TO ENGINEERING IMPROVEMENTS SPECIFICATIONS MAY CHANGE WITHOUT NOTICE. ALL MEASUREMENTS ARE TAKEN PER ASHRAE-72 SPECIFICATIONS. HILLPHOENIX REFRIGERATED DISPLAY CASES FOR SALE IN THE UNITED STATES MEET OR EXCEED DEPARTMENT OF ENERGY 2017 REQUIREMENTS. NUMBERS ARE BASED ON STANDARD CASE SIZES. CONSULT ENGINEERING.

## SD-R SPHERICAL

Rev. Date	Rev. #	Rev. Title
03-10-22	2	DATA UPDATE
05-21-21	1	NEW STANDARDS



# SD-R SPHERICAL

Self-Service Single-Deck Radius Merchandiser w/ Service Dome  
4', 6', 8', 10' & 12' (Bakery/Deli/Meat/Seafood)

GUIDELINES AND CONTROL SETTINGS (DX) {DIRECT EXPANSION HFC/CO2}						
	BTUH/ft		Superheat Set Point @ Bulb (°F)	Evaporator (°F)	Discharge Air (°F)	Discharge Air Velocity (FPM)
	Conventional	Parallel				
Dome	450	410	10	20	28	200
Base	450	410	10	20	28	200

DEFROST CONTROLS {DIRECT EXPANSION HFC/CO2}								
	Defrosts Per Day	Run-Off Time (Min)	Electric Defrost		Timed-Off Defrost		Hot Gas Defrost	
			Fail-Safe (Min)	Termination Temp (°F)	Fail-Safe (Min)	Termination Temp (°F)	Fail-Safe (Min)	Termination Temp (°F)
Dome	4	---	---	---	30	---	---	---
Base	4	---	---	---	30	---	---	---



ENGINEERED FOR STORES WITH AMBIENT CONDITIONS NOT TO EXCEED 75° AND 55% RELATIVE HUMIDITY. DUE TO ENGINEERING IMPROVEMENTS SPECIFICATIONS MAY CHANGE WITHOUT NOTICE. ALL MEASUREMENTS ARE TAKEN PER ASHRAE-72 SPECIFICATIONS. HILLPHOENIX REFRIGERATED DISPLAY CASES FOR SALE IN THE UNITED STATES MEET OR EXCEED DEPARTMENT OF ENERGY 2017 REQUIREMENTS. NUMBERS ARE BASED ON STANDARD CASE SIZES. CONSULT ENGINEERING.

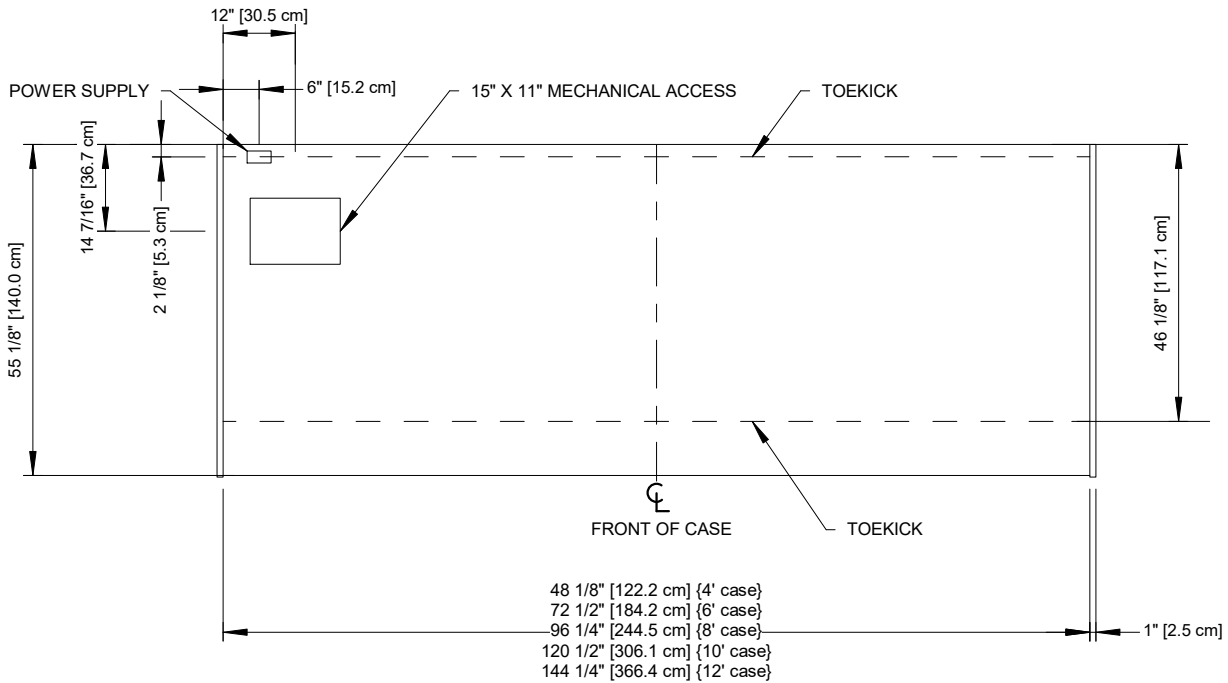
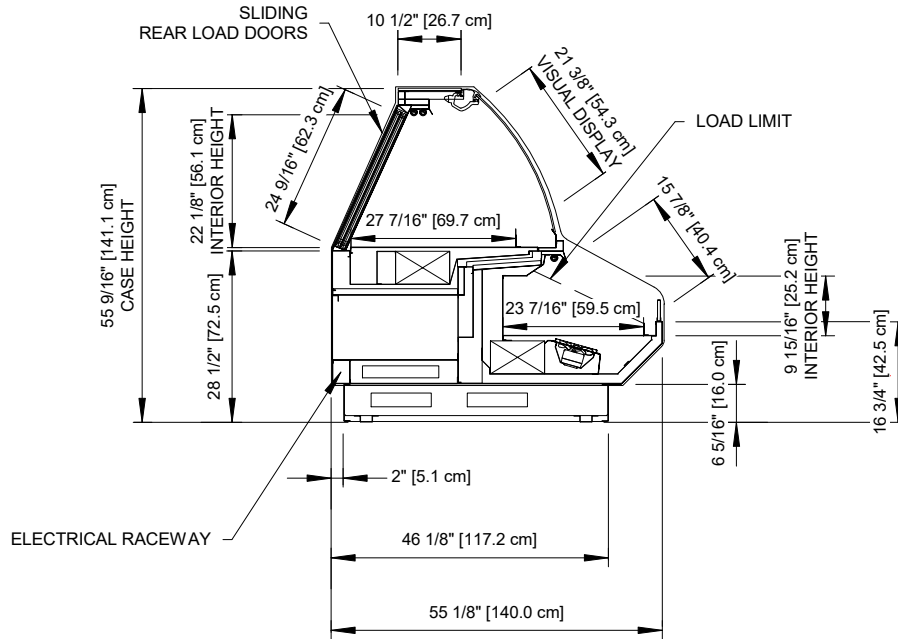
## SD-R SPHERICAL

Rev. Date	Rev. #	Rev. Title
03-10-22	2	DATA UPDATE
05-21-21	1	NEW STANDARDS



# SD-R SPHERICAL

Self-Service Spherical Merchandiser w/ Load Dome  
4', 6', 8', 10' & 12' (Bakery/Deli/Meat/Seafood)



2017  
**DOE**  
COMPLIANT



Intertek Intertek

ENGINEERED FOR STORES WITH AMBIENT CONDITIONS NOT TO EXCEED 75° AND 55% RELATIVE HUMIDITY. DUE TO ENGINEERING IMPROVEMENTS SPECIFICATIONS MAY CHANGE WITHOUT NOTICE. ALL MEASUREMENTS ARE TAKEN PER ASHRAE-72 SPECIFICATIONS. HILLPHOENIX REFRIGERATED DISPLAY CASES FOR SALE IN THE UNITED STATES MEET OR EXCEED DEPARTMENT OF ENERGY 2017 REQUIREMENTS. NUMBERS ARE BASED ON STANDARD CASE SIZES. CONSULT ENGINEERING.

## SD-R SPHERICAL

Rev. Date	Rev. #	Rev. Title
03-10-22	2	DATA UPDATE
05-21-21	1	NEW STANDARDS

Clearvoyant  
LED SYSTEM

**Hillphoenix**

a DOVER company