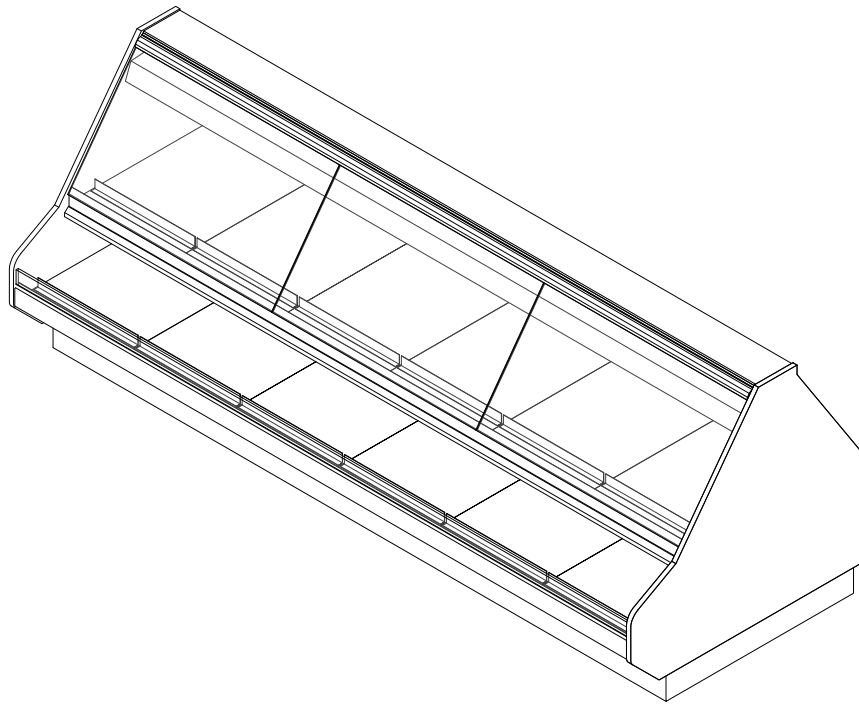


GENERAL NOTES:

- "---" Indicates that the feature is not an option on this case model and/or the data is not yet available at this time.
- Curved glass (optional)



| SHIPPING WEIGHT | |
|-----------------|--------|
| Case | Weight |
| SD-RG | --- |



ENGINEERED FOR STORES WITH AMBIENT CONDITIONS NOT TO EXCEED 75° AND 55% RELATIVE HUMIDITY. DUE TO ENGINEERING IMPROVEMENTS SPECIFICATIONS MAY CHANGE WITHOUT NOTICE. ALL MEASUREMENTS ARE TAKEN PER ASHRAE-72 SPECIFICATIONS. HILLPHOENIX REFRIGERATED DISPLAY CASES FOR SALE IN THE UNITED STATES MEET OR EXCEED DEPARTMENT OF ENERGY 2017 REQUIREMENTS. NUMBERS ARE BASED ON STANDARD CASE SIZES. CONSULT ENGINEERING.

SD-RG-R

| Rev. Date | Rev. # | Rev. Title |
|-----------|--------|---------------|
| 03-10-22 | 2 | DATA UPDATE |
| 05-18-21 | 1 | NEW STANDARDS |



| ELECTRICAL DATA (DOME) | | | | | | | | | |
|------------------------|---------------|----------------------|-------|----------------------|-------|---------------|-------|--------------------------|-------|
| Case Length | Fans Per Case | High Efficiency Fans | | Anti-Condensate Fans | | Drain Heaters | | Optional Defrost Heaters | |
| | | 120 Volts | | 120 Volts | | 120 Volts | | 208 Volts | |
| | | Amps | Watts | Amps | Watts | Amps | Watts | Amps | Watts |
| 4' | --- | --- | --- | --- | --- | --- | --- | --- | --- |
| 6' | --- | --- | --- | --- | --- | --- | --- | --- | --- |
| 8' | --- | --- | --- | --- | --- | --- | --- | --- | --- |
| 10' | --- | --- | --- | --- | --- | --- | --- | --- | --- |
| 12' | --- | --- | --- | --- | --- | --- | --- | --- | --- |

| ELECTRICAL DATA (BASE) | | | | | | | | | |
|------------------------|---------------|----------------------|-------|----------------------|-------|---------------|-------|-----------------|-------|
| Case Length | Fans Per Case | High Efficiency Fans | | Anti-Condensate Fans | | Drain Heaters | | Defrost Heaters | |
| | | 120 Volts | | 120 Volts | | 120 Volts | | 208 Volts | |
| | | Amps | Watts | Amps | Watts | Amps | Watts | Amps | Watts |
| 4' | 1 | 0.30 | 36 | 0.17 | 20.4 | --- | --- | --- | --- |
| 6' | 1 | 0.30 | 36 | 0.31 | 37.2 | --- | --- | --- | --- |
| 8' | 2 | 0.60 | 72 | 0.34 | 40.8 | --- | --- | --- | --- |
| 10' | 2 | 0.60 | 72 | 0.52 | 62.4 | --- | --- | --- | --- |
| 12' | 3 | 0.90 | 108 | 0.56 | 67.2 | --- | --- | --- | --- |

| LIGHTING DATA | | | | | | |
|---------------|----------------|--------------|--|-------|----------------------|-------|
| Case Length | Lights Per Row | Light Length | Clearvoyant 4 LED Lighting (Per Light Row) | | | |
| | | | Standard Power (Cornice or Shelf) | | High Power (Cornice) | |
| | | | 120 Volts | | 120 Volts | |
| | | | Amps | Watts | Amps | Watts |
| 4' | 1 | 4' | 0.05 | 5.9 | 0.12 | 14.9 |
| 6' | 2 | 3' | 0.08 | 9.4 | 0.20 | 23.8 |
| 8' | 2 | 4' | 0.10 | 11.8 | 0.24 | 29.8 |
| 10' | 2 | 5' | 0.12 | 15.0 | 0.30 | 37.0 |
| 12' | 3 | 4' | 0.15 | 17.7 | 0.36 | 44.7 |

NOTES:

- "----" Indicates that the feature is not an option on this case model and/or the data is not yet available at this time.
- Listed discharge air velocity represents the average velocity at the peak of defrost.
- Units equipped with RH systems require 2 defrosts per day with a fail-safe of 120 minutes.
- Listed data is based on the factory recommended default fresh meat temperature settings.
- Shelves are not recommended for fresh meat applications.
- Discharge air temperature values represent readings taken within the upper air channel immediately behind/upstream of the honeycomb.
- * Time-off duration for defrost with no termination control.



ENGINEERED FOR STORES WITH AMBIENT CONDITIONS NOT TO EXCEED 75° AND 55% RELATIVE HUMIDITY. DUE TO ENGINEERING IMPROVEMENTS SPECIFICATIONS MAY CHANGE WITHOUT NOTICE. ALL MEASUREMENTS ARE TAKEN PER ASHRAE-72 SPECIFICATIONS. HILLPHOENIX REFRIGERATED DISPLAY CASES FOR SALE IN THE UNITED STATES MEET OR EXCEED DEPARTMENT OF ENERGY 2017 REQUIREMENTS. NUMBERS ARE BASED ON STANDARD CASE SIZES. CONSULT ENGINEERING.

SD-RG-R

| Rev. Date | Rev. # | Rev. Title |
|-----------|--------|---------------|
| 03-10-22 | 2 | DATA UPDATE |
| 05-18-21 | 1 | NEW STANDARDS |



| GUIDELINES AND CONTROL SETTINGS (DX) {DIRECT EXPANSION HFC/CO2} | | | | | | |
|---|--------------|----------|---------------------------------------|--------------------|-----------------------|------------------------------------|
| | BTUH/ft | | Superheat Set Point @ Bulb (°F) | Evaporator (°F) | Discharge Air (°F) | Discharge Air Velocity (FPM) |
| | Conventional | Parallel | | | | |
| Dome | 490 | 450 | 10 | 15 | 28 | 200 |
| Base | 689 | 636 | 6 - 8 | 26 | 30 | 360 |

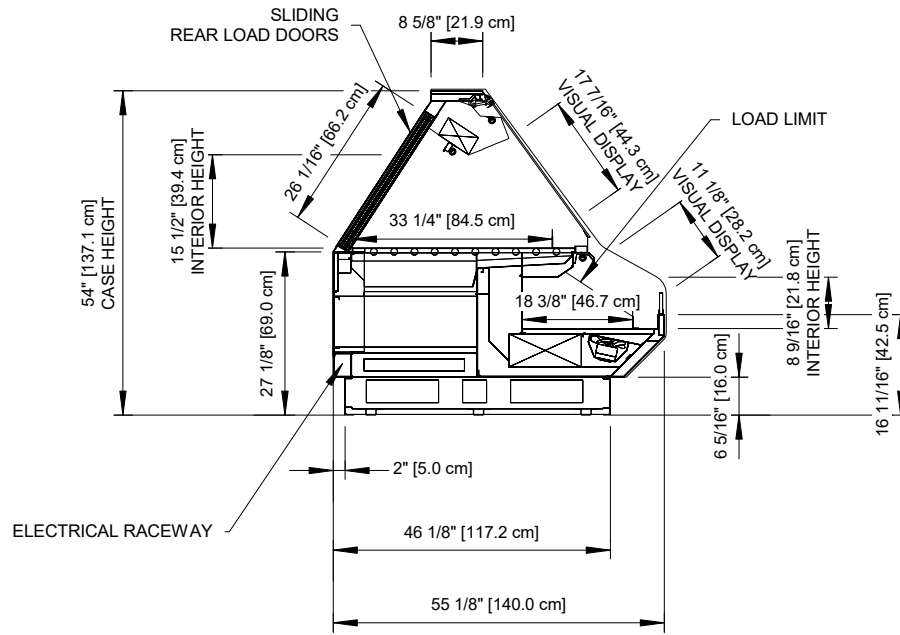
| DEFROST CONTROLS {DIRECT EXPANSION HFC/CO2} | | | | | | | | |
|---|---------------------|--------------------------|--------------------|-----------------------------|--------------------|-----------------------------|--------------------|-----------------------------|
| | Defrosts Per Day | Run-Off Time (Min) | Electric Defrost | | Timed-Off Defrost | | Hot Gas Defrost | |
| | | | Fail-Safe (Min) | Termination Temp (°F) | Fail-Safe (Min) | Termination Temp (°F) | Fail-Safe (Min) | Termination Temp (°F) |
| Dome | 2 | --- | --- | --- | 60 | --- | --- | --- |
| Base | 4 | --- | --- | --- | 45/*28 | 42 | --- | --- |



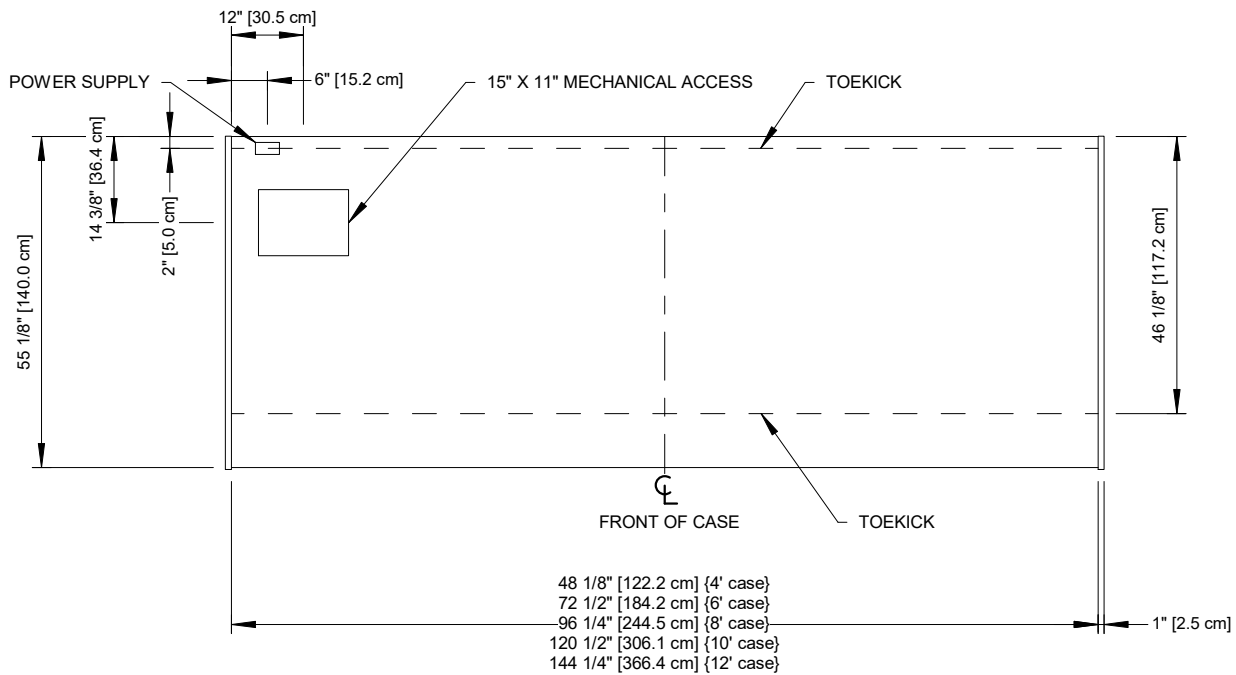
ENGINEERED FOR STORES WITH AMBIENT CONDITIONS NOT TO EXCEED 75° AND 55% RELATIVE HUMIDITY. DUE TO ENGINEERING IMPROVEMENTS SPECIFICATIONS MAY CHANGE WITHOUT NOTICE. ALL MEASUREMENTS ARE TAKEN PER ASHRAE-72 SPECIFICATIONS. HILLPHOENIX REFRIGERATED DISPLAY CASES FOR SALE IN THE UNITED STATES MEET OR EXCEED DEPARTMENT OF ENERGY 2017 REQUIREMENTS. NUMBERS ARE BASED ON STANDARD CASE SIZES. CONSULT ENGINEERING.

SD-RG-R

| Rev. Date | Rev. # | Rev. Title |
|-----------|--------|---------------|
| 03-10-22 | 2 | DATA UPDATE |
| 05-18-21 | 1 | NEW STANDARDS |



FLAT GLASS



Intertek Intertek

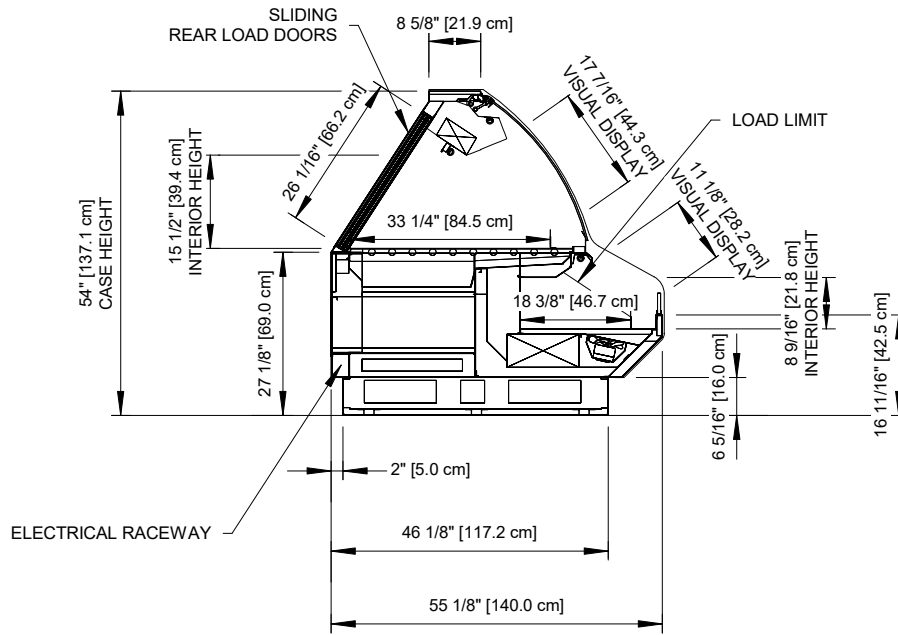
ENGINEERED FOR STORES WITH AMBIENT CONDITIONS NOT TO EXCEED 75° AND 55% RELATIVE HUMIDITY. DUE TO ENGINEERING IMPROVEMENTS SPECIFICATIONS MAY CHANGE WITHOUT NOTICE. ALL MEASUREMENTS ARE TAKEN PER ASHRAE-72 SPECIFICATIONS. HILLPHOENIX REFRIGERATED DISPLAY CASES FOR SALE IN THE UNITED STATES MEET OR EXCEED DEPARTMENT OF ENERGY 2017 REQUIREMENTS. NUMBERS ARE BASED ON STANDARD CASE SIZES. CONSULT ENGINEERING.

SD-RG-R

| Rev. Date | Rev. # | Rev. Title |
|-----------|--------|---------------|
| 03-10-22 | 2 | DATA UPDATE |
| 05-18-21 | 1 | NEW STANDARDS |



a DOVER company



CURVED GLASS (OPTIONAL)

2017
DOE
COMPLIANT



Intertek

Intertek

ENGINEERED FOR STORES WITH AMBIENT CONDITIONS NOT TO EXCEED 75° AND 55% RELATIVE HUMIDITY. DUE TO ENGINEERING IMPROVEMENTS SPECIFICATIONS MAY CHANGE WITHOUT NOTICE. ALL MEASUREMENTS ARE TAKEN PER ASHRAE-72 SPECIFICATIONS. HILLPHOENIX REFRIGERATED DISPLAY CASES FOR SALE IN THE UNITED STATES MEET OR EXCEED DEPARTMENT OF ENERGY 2017 REQUIREMENTS. NUMBERS ARE BASED ON STANDARD CASE SIZES. CONSULT ENGINEERING.

SD-RG-R

| Rev. Date | Rev. # | Rev. Title |
|-----------|--------|---------------|
| 03-10-22 | 2 | DATA UPDATE |
| 05-18-21 | 1 | NEW STANDARDS |

Clearvoyant[™]
LED SYSTEM

Hillphoenix

a **DOVER** company