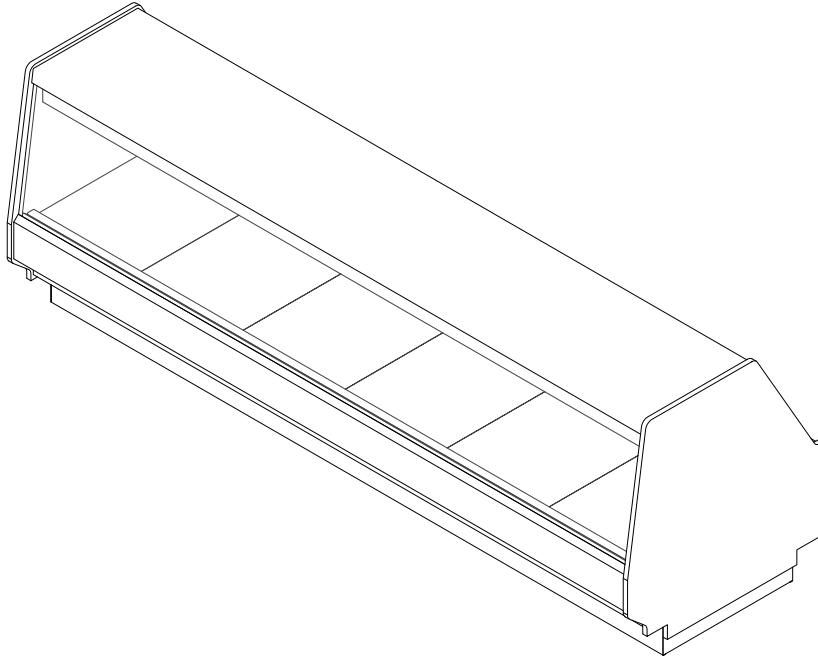


SGM-RG

Service Single-Deck Merchandiser w/ Flat Fixed Glass
4', 6', 8', 10' & 12' (Deli/Meat/Seafood)

GENERAL NOTES:

- "---" Indicates that the feature is not an option on this case model and/or the data is not yet available at this time.



SHIPPING WEIGHT	
Case	Weight
SGM-RG	---



ALL MEASUREMENTS ARE TAKEN PER ASHRAE-72 SPECIFICATIONS. HILLPHOENIX REFRIGERATED DISPLAY CASES FOR SALE IN THE UNITED STATES MEET OR EXCEED DEPARTMENT OF ENERGY 2017 REQUIREMENTS.

SGM-RG

Rev. Date	Rev. #	Rev. Title
03-10-22	2	DATA UPDATE
11-09-20	1	NEW STANDARDS



ELECTRICAL DATA											
Case Length	Fans Per Case	High Efficiency Fans		Anti-Condensate Fans		Drain Heaters		Optional Defrost Heaters			
		120 Volts		120 Volts		120 Volts		208 Volts		240 Volts	
		Amps	Watts	Amps	Watts	Amps	Watts	Amps	Watts	Amps	Watts
4'	---	---	---	---	---	---	---	---	---	---	---
6'	---	---	---	---	---	---	---	---	---	---	---
8'	---	---	---	---	---	---	---	---	---	---	---
10'	---	---	---	---	---	---	---	---	---	---	---
12'	---	---	---	---	---	---	---	---	---	---	---

LIGHTING DATA						
Case Length	Lights Per Row	Light Length	Clearvoyant 4 LED Lighting (Per Light Row)			
			Standard Power (Cornice or Shelf)		High Power (Cornice)	
			120 Volts		120 Volts	
			Amps	Watts	Amps	Watts
4'	1	4'	0.05	5.9	0.12	14.9
6'	2	3'	0.08	9.4	0.20	23.8
8'	2	4'	0.10	11.8	0.24	29.8
10'	2	5'	0.12	15.0	0.30	37.0
12'	3	4'	0.15	17.7	0.36	44.7

GUIDELINES AND CONTROL SETTINGS (DX) {DIRECT EXPANSION HFC/CO2}						
	BTUH/ft		Superheat Set Point @ Bulb (°F)	Evaporator (°F)	Discharge Air (°F)	Discharge Air Velocity (FPM)
	Conventional	Parallel				
26" Glass	168	150	6 - 8	22	28	---
30" Glass	216	200	6 - 8	20	28	---

NOTES:

- "----" Indicates that the feature is not an option on this case model and/or the data is not yet available at this time.
- Listed discharge air velocity represents the average velocity at the peak of defrost.
- Glycol supply of 20°F has a propylene glycol mixture of 35% concentration by weight.
- Glycol supply of 25°F has a propylene glycol mixture of 30% concentration by weight.
- Units equipped with RH systems require 2 defrosts per day with a fail-safe of 120 minutes.
- Listed data is based on the factory recommended default fresh meat temperature settings.
- Shelves are not recommended for fresh meat applications.
- Discharge air temperature values represent readings taken within the upper air channel immediately behind/upstream of the honeycomb.



SGM-RG



ALL MEASUREMENTS ARE TAKEN PER ASHRAE-72 SPECIFICATIONS. HILLPHOENIX REFRIGERATED DISPLAY CASES FOR SALE IN THE UNITED STATES MEET OR EXCEED DEPARTMENT OF ENERGY 2017 REQUIREMENTS.

Rev. Date	Rev. #	Rev. Title
03-10-22	2	DATA UPDATE
11-09-20	1	NEW STANDARDS

GUIDELINES AND CONTROL SETTINGS (GLYCOL) {DIRECT EXPANSION HFC/CO2}

	Case Length	BTUH/ft	Glycol Supply (°F)		Glycol Pressure Drop (PSIG)		Coil Volume (gal)
			20°F	25°F	20°F	25°F	
26" Glass	4'	---	---	---	1.5	---	1.7
26" Glass	6'	---	---	---	3.5	---	2.5
26" Glass	8'	---	---	---	5.0	---	3.0
26" Glass	10'	---	---	---	6.3	---	4.5
26" Glass	12'	---	---	---	7.5	---	5.0
30" Glass	4'	---	---	---	1.5	---	1.7
30" Glass	6'	---	---	---	3.5	---	2.5
30" Glass	8'	---	---	---	5.0	---	3.0
30" Glass	10'	---	---	---	6.3	---	4.5
30" Glass	12'	---	---	---	7.5	---	5.0

DEFROST CONTROLS {DIRECT EXPANSION HFC/CO2}

	Defrosts Per Day	Run-Off Time (Min)	Electric Defrost		Timed-Off Defrost		Hot Gas Defrost	
			Fail-Safe (Min)	Termination Temp (°F)	Fail Safe (Min)	Termination Temp (°F)	Fail-Safe (Min)	Termination Temp (°F)
DX	1	---	---	---	90	50	---	---
Glycol	2	---	---	---	90	50	---	---



SGM-RG



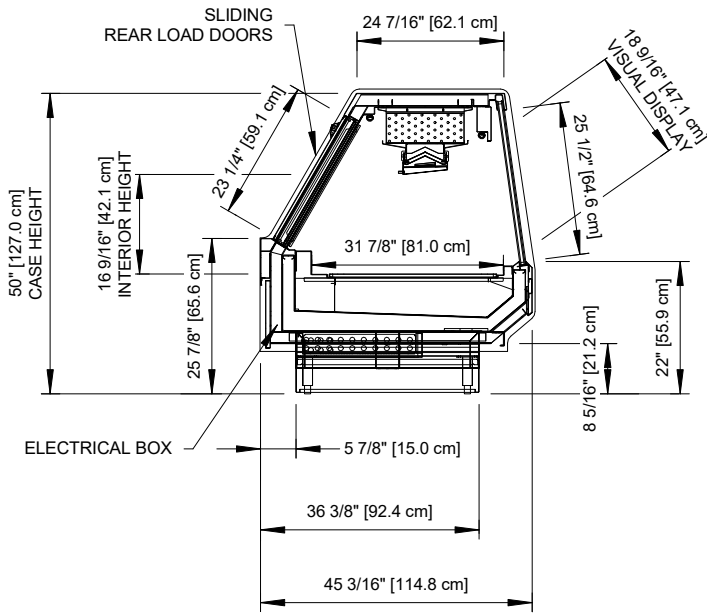
ALL MEASUREMENTS ARE TAKEN PER ASHRAE-72 SPECIFICATIONS. HILLPHOENIX REFRIGERATED DISPLAY CASES FOR SALE IN THE UNITED STATES MEET OR EXCEED DEPARTMENT OF ENERGY 2017 REQUIREMENTS.

Rev. Date	Rev. #	Rev. Title
03-10-22	2	DATA UPDATE
11-09-20	1	NEW STANDARDS

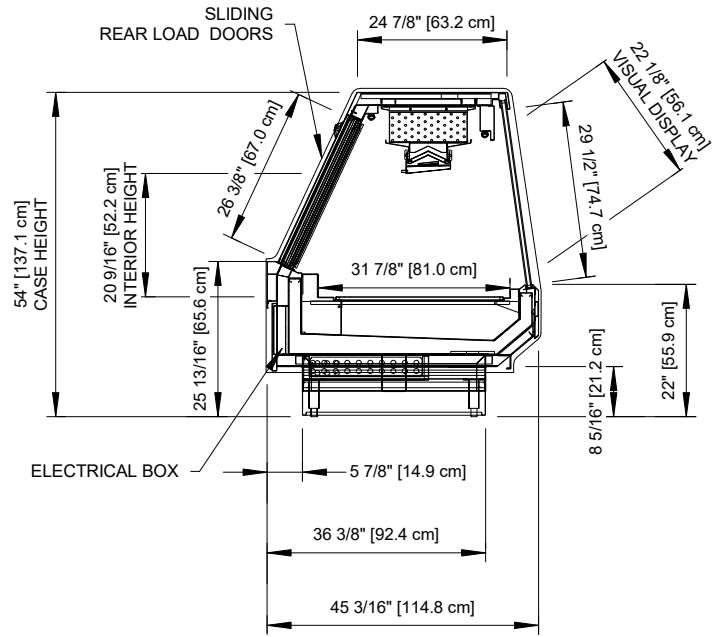


SGM-RG

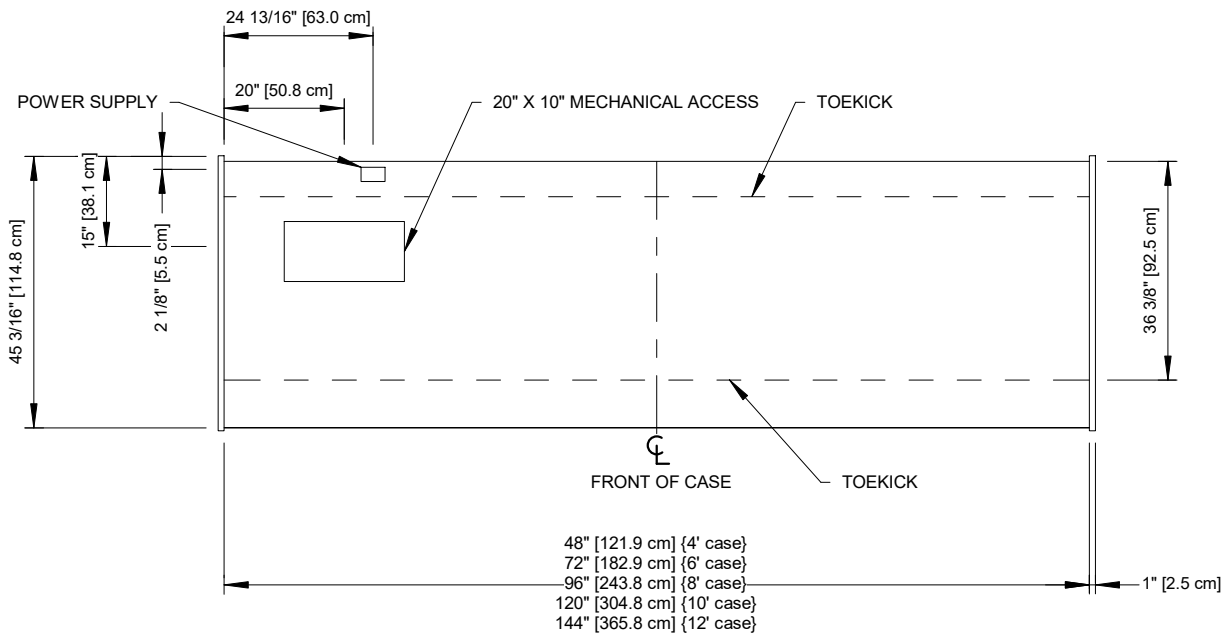
Service Single-Deck Merchandiser w/ Flat Fixed Glass
4', 6', 8', 10' & 12' (Deli/Meat/Seafood)



26" GLASS



30" GLASS (OPTIONAL)



SGM-RG



ALL MEASUREMENTS ARE TAKEN PER ASHRAE-72 SPECIFICATIONS. HILLPHOENIX REFRIGERATED DISPLAY CASES FOR SALE IN THE UNITED STATES MEET OR EXCEED DEPARTMENT OF ENERGY 2017 REQUIREMENTS.

Rev. Date	Rev. #	Rev. Title
03-10-22	2	DATA UPDATE
11-09-20	1	NEW STANDARDS