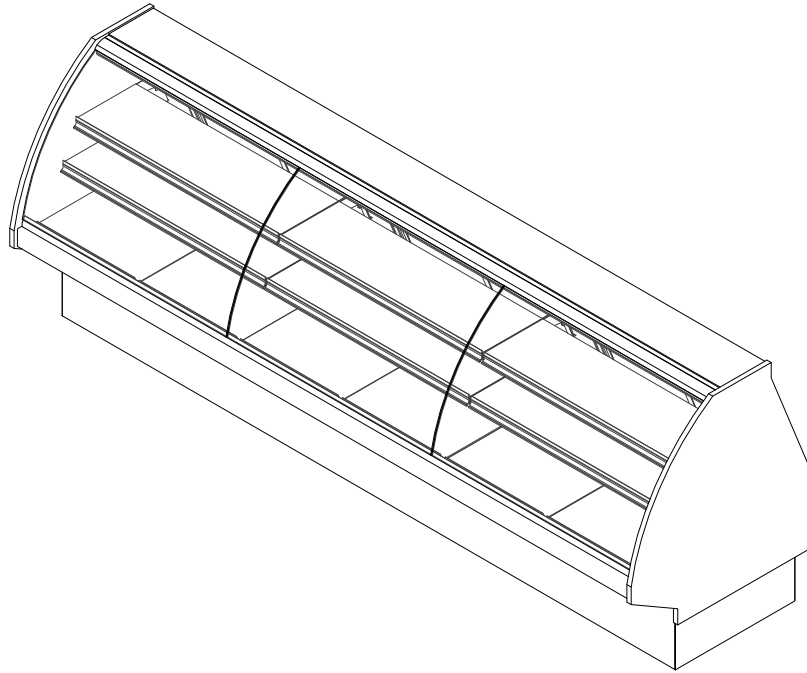


**GENERAL NOTES:**

- "---" Indicates that the feature is not an option on this case model and/or the data is not yet available at this time.
- Flat glass (optional)
- 15 15/16" toekick (optional)
- Shelving (optional)



| SHIPPING WEIGHT |        |
|-----------------|--------|
| Case            | Weight |
| SMD-R           | ---    |



ENGINEERED FOR STORES WITH AMBIENT CONDITIONS NOT TO EXCEED 75° AND 55% RELATIVE HUMIDITY. DUE TO ENGINEERING IMPROVEMENTS SPECIFICATIONS MAY CHANGE WITHOUT NOTICE. ALL MEASUREMENTS ARE TAKEN PER ASHRAE-72 SPECIFICATIONS. HILLPHOENIX REFRIGERATED DISPLAY CASES FOR SALE IN THE UNITED STATES MEET OR EXCEED DEPARTMENT OF ENERGY 2017 REQUIREMENTS. NUMBERS ARE BASED ON STANDARD CASE SIZES. CONSULT ENGINEERING.

**SMD-R**

| Rev. Date | Rev. # | Rev. Title     |
|-----------|--------|----------------|
| 03-10-22  | 4      | DATA UPDATE    |
| 10-14-20  | 3      | ENDVIEW UPDATE |



| ELECTRICAL DATA |               |                      |       |                      |       |               |       |                          |       |
|-----------------|---------------|----------------------|-------|----------------------|-------|---------------|-------|--------------------------|-------|
| Case Length     | Fans Per Case | High Efficiency Fans |       | Anti-Condensate Fans |       | Drain Heaters |       | Optional Defrost Heaters |       |
|                 |               | 120 Volts            |       | 120 Volts            |       | 120 Volts     |       | 208 Volts                |       |
|                 |               | Amps                 | Watts | Amps                 | Watts | Amps          | Watts | Amps                     | Watts |
| 4'              | 1             | 0.30                 | 36    | 0.52                 | 62.4  | ---           | ---   | ---                      | ---   |
| 6'              | 1             | 0.30                 | 36    | 0.78                 | 93.6  | ---           | ---   | ---                      | ---   |
| 8'              | 2             | 0.60                 | 72    | 1.04                 | 124.8 | ---           | ---   | ---                      | ---   |
| 10'             | 3             | 0.90                 | 108   | 1.30                 | 156.0 | ---           | ---   | ---                      | ---   |
| 12'             | 3             | 0.90                 | 108   | 1.56                 | 187.2 | ---           | ---   | ---                      | ---   |

| LIGHTING DATA |                |              |  |       |                      |       |
|---------------|----------------|--------------|--|-------|----------------------|-------|
| Case Length   | Lights Per Row | Light Length | Clearvoyant 4 LED Lighting (Per Light Row) |       |                      |       |
|               |                |              | Standard Power (Cornice or Shelf)          |       | High Power (Cornice) |       |
|               |                |              | 120 Volts                                  |       | 120 Volts            |       |
|               |                |              | Amps                                       | Watts | Amps                 | Watts |
| 4'            | 1              | 4'           | 0.05                                       | 5.9   | 0.12                 | 14.9  |
| 6'            | 2              | 3'           | 0.08                                       | 9.4   | 0.20                 | 23.8  |
| 8'            | 2              | 4'           | 0.10                                       | 11.8  | 0.24                 | 29.8  |
| 10'           | 2              | 5'           | 0.12                                       | 15.0  | 0.30                 | 37.0  |
| 12'           | 3              | 4'           | 0.15                                       | 17.7  | 0.36                 | 44.7  |

| GUIDELINES AND CONTROL SETTINGS (DX) {DIRECT EXPANSION HFC/CO2} |          |                                 |                 |                    |                              |
|---|----------|---------------------------------|-----------------|--------------------|------------------------------|
| BTUH/ft   |          | Superheat Set Point @ Bulb (°F) | Evaporator (°F) | Discharge Air (°F) | Discharge Air Velocity (FPM) |
| Conventional  | Parallel |                                 |                 |                    |                              |
| 699   | 650      | 8 - 10                          | 20              | 28                 | 400                          |

| DEFROST CONTROLS {DIRECT EXPANSION HFC/CO2} |                    |                  |                       |                   |                       |                 |                       |
|---|--------------------|------------------|-----------------------|-------------------|-----------------------|-----------------|-----------------------|
| Defrosts Per Day                            | Run-Off Time (Min) | Electric Defrost |                       | Timed-Off Defrost |                       | Hot Gas Defrost |                       |
|   |                    | Fail-Safe (Min)  | Termination Temp (°F) | Fail-Safe (Min)   | Termination Temp (°F) | Fail-Safe (Min) | Termination Temp (°F) |
| 4   | ---                | ---              | ---                   | 65/*30            | 42                    | ---             | ---                   |

**NOTES:**

- "----" Indicates that the feature is not an option on this case model and/or the data is not yet available at this time.
- Listed BTUH indicates unlighted shelves. Add the following for lighted shelves:  
4' Shelf LED: 36 BTUH  
4' Canopy LED: 72 BTUH  
3' Hi-Output LED: 54 BTUH  
3' Shelf LED: 27 BTUH
- Listed discharge air velocity represents the average velocity at the peak of defrost.
- Discharge air temperature values represent readings taken within the upper air channel immediately behind/upstream of the honeycomb.
- \* Time-off duration for defrost with no termination control.



ENGINEERED FOR STORES WITH AMBIENT CONDITIONS NOT TO EXCEED 75° AND 55% RELATIVE HUMIDITY. DUE TO ENGINEERING IMPROVEMENTS SPECIFICATIONS MAY CHANGE WITHOUT NOTICE. ALL MEASUREMENTS ARE TAKEN PER ASHRAE-72 SPECIFICATIONS. HILLPHOENIX REFRIGERATED DISPLAY CASES FOR SALE IN THE UNITED STATES MEET OR EXCEED DEPARTMENT OF ENERGY 2017 REQUIREMENTS. NUMBERS ARE BASED ON STANDARD CASE SIZES. CONSULT ENGINEERING.

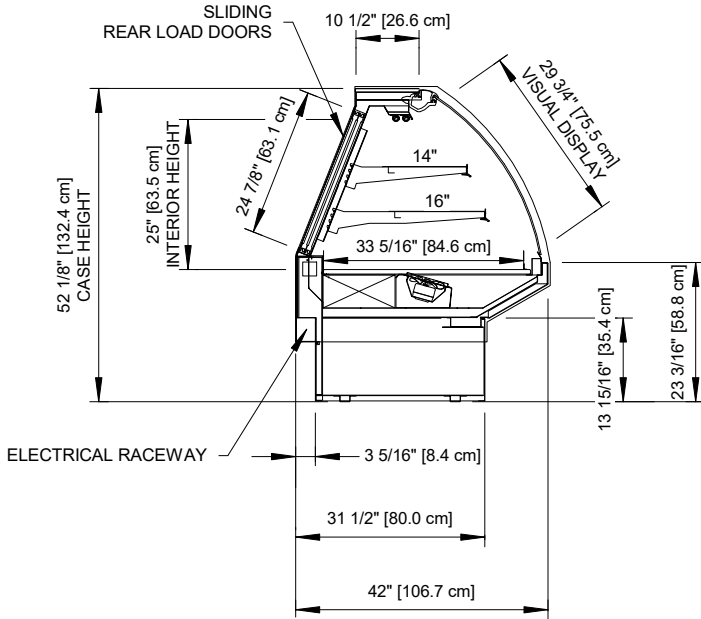
**SMD-R**

| Rev. Date | Rev. # | Rev. Title     |
|-----------|--------|----------------|
| 03-10-22  | 4      | DATA UPDATE    |
| 10-14-20  | 3      | ENDVIEW UPDATE |

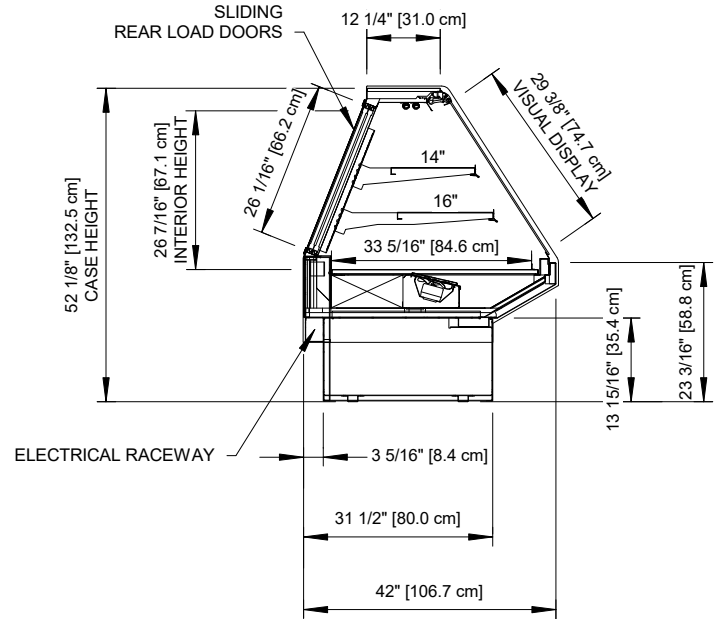


# SMD-R

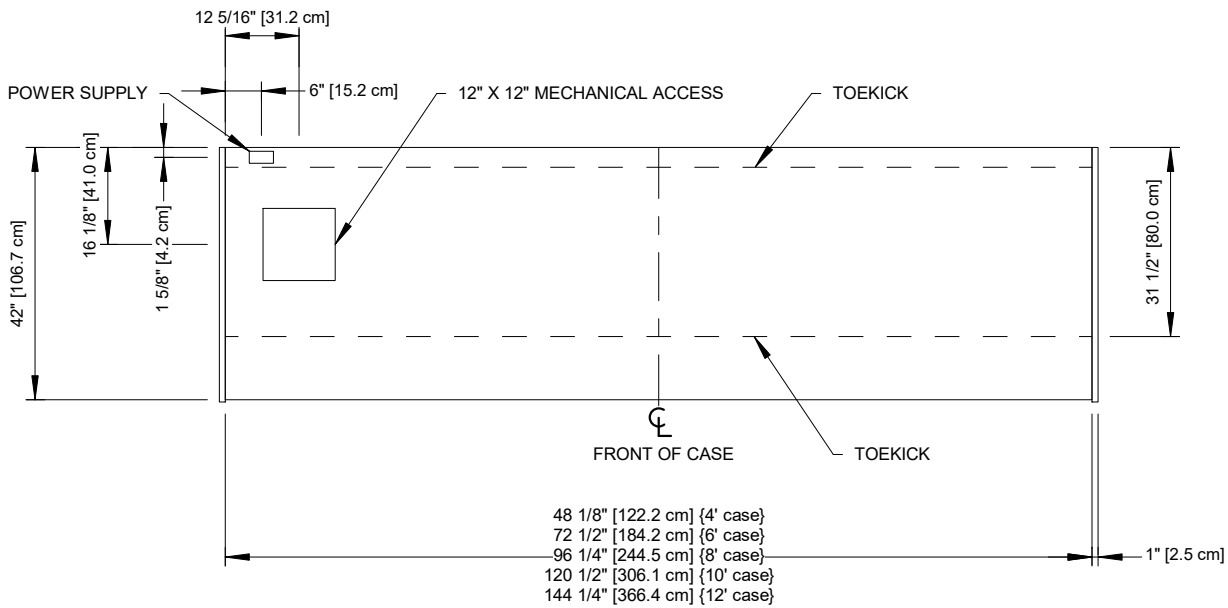
Service Multi-Deck Merchandiser w/ Curved or Flat Lift Glass  
4', 6', 8', 10' & 12' (Bakery/Deli)



**CURVED GLASS**



**FLAT GLASS (OPTIONAL)**



**NOTES:**

- Shown with optional shelving.



ENGINEERED FOR STORES WITH AMBIENT CONDITIONS NOT TO EXCEED 75° AND 55% RELATIVE HUMIDITY. DUE TO ENGINEERING IMPROVEMENTS SPECIFICATIONS MAY CHANGE WITHOUT NOTICE. ALL MEASUREMENTS ARE TAKEN PER ASHRAE-72 SPECIFICATIONS. HILLPHOENIX REFRIGERATED DISPLAY CASES FOR SALE IN THE UNITED STATES MEET OR EXCEED DEPARTMENT OF ENERGY 2017 REQUIREMENTS. NUMBERS ARE BASED ON STANDARD CASE SIZES. CONSULT ENGINEERING.

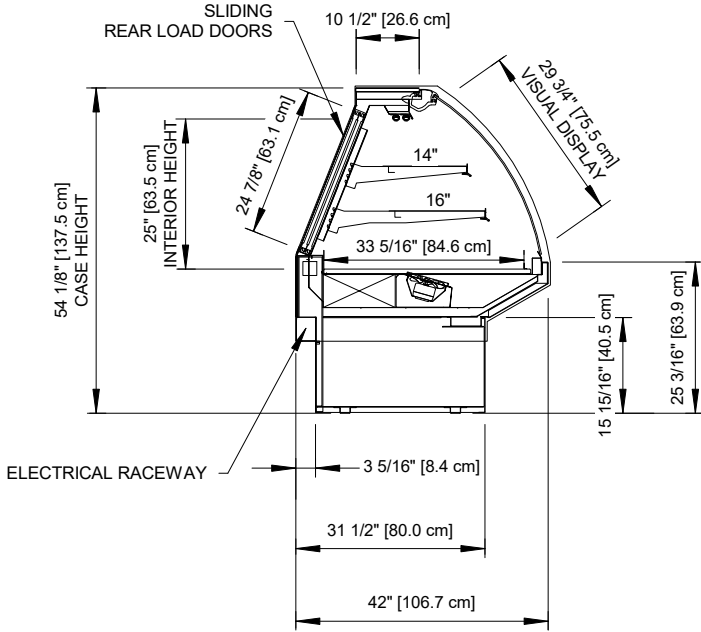
**SMD-R**

| Rev. Date | Rev. # | Rev. Title     |
|-----------|--------|----------------|
| 03-10-22  | 4      | DATA UPDATE    |
| 10-14-20  | 3      | ENDVIEW UPDATE |

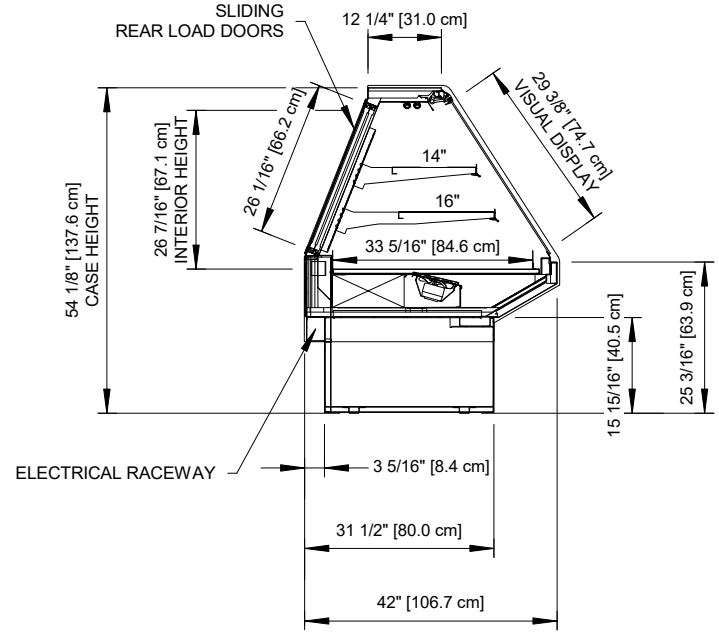


# SMD-R

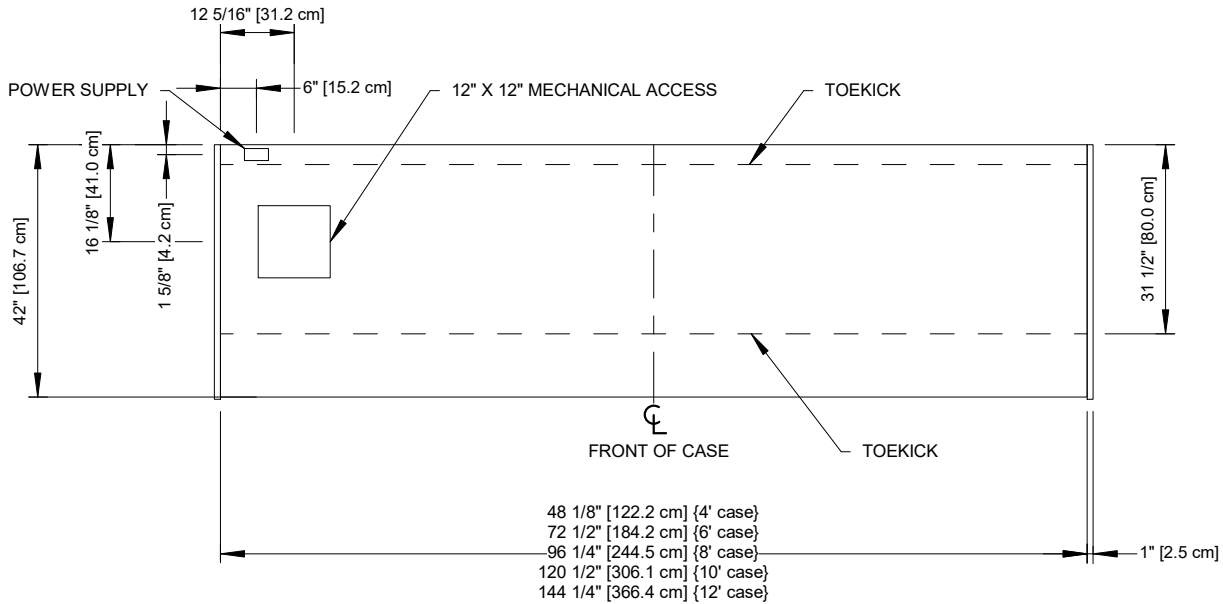
Service Multi-Deck Merchandiser w/ Curved or Flat Lift Glass  
4', 6', 8', 10' & 12' (Bakery/Deli)



**CURVED GLASS**



**FLAT GLASS (OPTIONAL)**



**NOTES:**

- Shown with optional shelving.



ENGINEERED FOR STORES WITH AMBIENT CONDITIONS NOT TO EXCEED 75° AND 55% RELATIVE HUMIDITY. DUE TO ENGINEERING IMPROVEMENTS SPECIFICATIONS MAY CHANGE WITHOUT NOTICE. ALL MEASUREMENTS ARE TAKEN PER ASHRAE-72 SPECIFICATIONS. HILLPHOENIX REFRIGERATED DISPLAY CASES FOR SALE IN THE UNITED STATES MEET OR EXCEED DEPARTMENT OF ENERGY 2017 REQUIREMENTS. NUMBERS ARE BASED ON STANDARD CASE SIZES. CONSULT ENGINEERING.

**SMD-R**

| Rev. Date | Rev. # | Rev. Title     |
|-----------|--------|----------------|
| 03-10-22  | 4      | DATA UPDATE    |
| 10-14-20  | 3      | ENDVIEW UPDATE |

