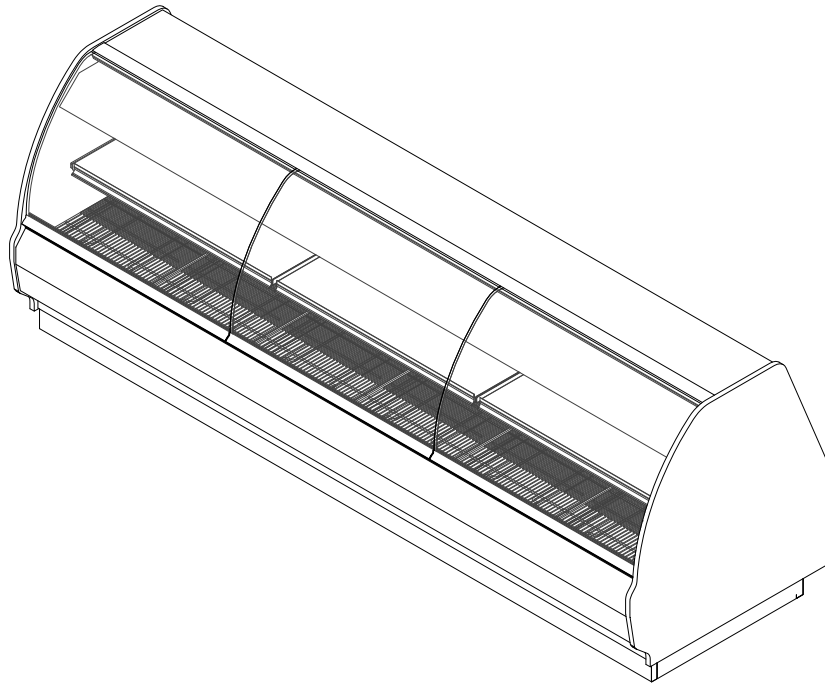


GENERAL NOTES:

- "---" Indicates that the feature is not an option on this case model and/or the data is not yet available at this time.
- Shelving shown (optional)



| SHIPPING WEIGHT | |
|-----------------|--------|
| Case | Weight |
| SSA-RG | --- |



SSA-RG

| Rev. Date | Rev. # | Rev. Title |
|-----------|--------|---------------|
| 03-10-22 | 2 | DATA UPDATE |
| 10-28-20 | 1 | NEW STANDARDS |

ALL MEASUREMENTS ARE TAKEN PER ASHRAE-72 SPECIFICATIONS. HILLPHOENIX REFRIGERATED DISPLAY CASES FOR SALE IN THE UNITED STATES MEET OR EXCEED DEPARTMENT OF ENERGY 2017 REQUIREMENTS.



| ELECTRICAL DATA | | | | | | | | | | | |
|-----------------|---------------|----------------------|-------|----------------------|-------|---------------|-------|--------------------------|-------|-----------|-------|
| Case Length | Fans Per Case | High Efficiency Fans | | Anti-Condensate Fans | | Drain Heaters | | Optional Defrost Heaters | | | |
| | | 120 Volts | | 120 Volts | | 120 Volts | | 208 Volts | | 240 Volts | |
| | | Amps | Watts | Amps | Watts | Amps | Watts | Amps | Watts | Amps | Watts |
| 4' | 2 | 0.60 | 72 | --- | --- | --- | --- | --- | --- | --- | --- |
| 6' | 2 | 0.60 | 72 | --- | --- | --- | --- | --- | --- | --- | --- |
| 8' | 3 | 0.90 | 108 | --- | --- | --- | --- | --- | --- | --- | --- |
| 10' | 4 | 1.20 | 144 | --- | --- | --- | --- | --- | --- | --- | --- |
| 12' | 4 | 1.20 | 144 | --- | --- | --- | --- | --- | --- | --- | --- |

| LIGHTING DATA | | | | | | |
|---------------|----------------|--------------|--|-------|----------------------|-------|
| Case Length | Lights Per Row | Light Length | Clearvoyant 4 LED Lighting (Per Light Row) | | | |
| | | | Standard Power (Cornice or Shelf) | | High Power (Cornice) | |
| | | | 120 Volts | | 120 Volts | |
| | | | Amps | Watts | Amps | Watts |
| 4' | 1 | 4' | 0.05 | 5.9 | 0.12 | 14.9 |
| 6' | 2 | 3' | 0.08 | 9.4 | 0.20 | 23.8 |
| 8' | 2 | 4' | 0.10 | 11.8 | 0.24 | 29.8 |
| 10' | 2 | 5' | 0.12 | 15.0 | 0.30 | 37.0 |
| 12' | 3 | 4' | 0.15 | 17.7 | 0.36 | 44.7 |

| GUIDELINES AND CONTROL SETTINGS (DX) {DIRECT EXPANSION HFC/CO2} | | | | | |
|---|----------|---------------------------------|-----------------|--------------------|------------------------------|
| BTUH/ft | | Superheat Set Point @ Bulb (°F) | Evaporator (°F) | Discharge Air (°F) | Discharge Air Velocity (FPM) |
| Conventional | Parallel | | | | |
| 295 | 284 | 6 - 8 | 26 | 29 | 125 |

| DEFROST CONTROLS {DIRECT EXPANSION HFC/CO2} | | | | | | | |
|---|--------------------|------------------|-----------------------|-------------------|-----------------------|-----------------|-----------------------|
| Defrosts Per Day | Run-Off Time (Min) | Electric Defrost | | Timed-Off Defrost | | Hot Gas Defrost | |
| | | Fail-Safe (Min) | Termination Temp (°F) | Fail-Safe (Min) | Termination Temp (°F) | Fail-Safe (Min) | Termination Temp (°F) |
| 3 | 6 - 8 | --- | --- | 30 | 45 | 20 | 60 |

- NOTES:**
- "----" Indicates that the feature is not an option on this case model and/or the data is not yet available at this time.
 - Listed BTUH indicates unlighted shelves. Add the following for lighted shelves:
 4' Shelf LED: 36 BTUH
 4' Canopy LED: 72 BTUH
 3' Shelf LED: 27 BTUH
 3' Hi-Output LED: 54 BTUH
 - Listed discharge air velocity represents the average velocity at the peak of defrost.
 - Units equipped with RH systems require 2 defrosts per day with a fail-safe of 120 minutes.
 - Discharge air temperature values represent readings taken within the upper air channel immediately behind/upstream of the honeycomb.

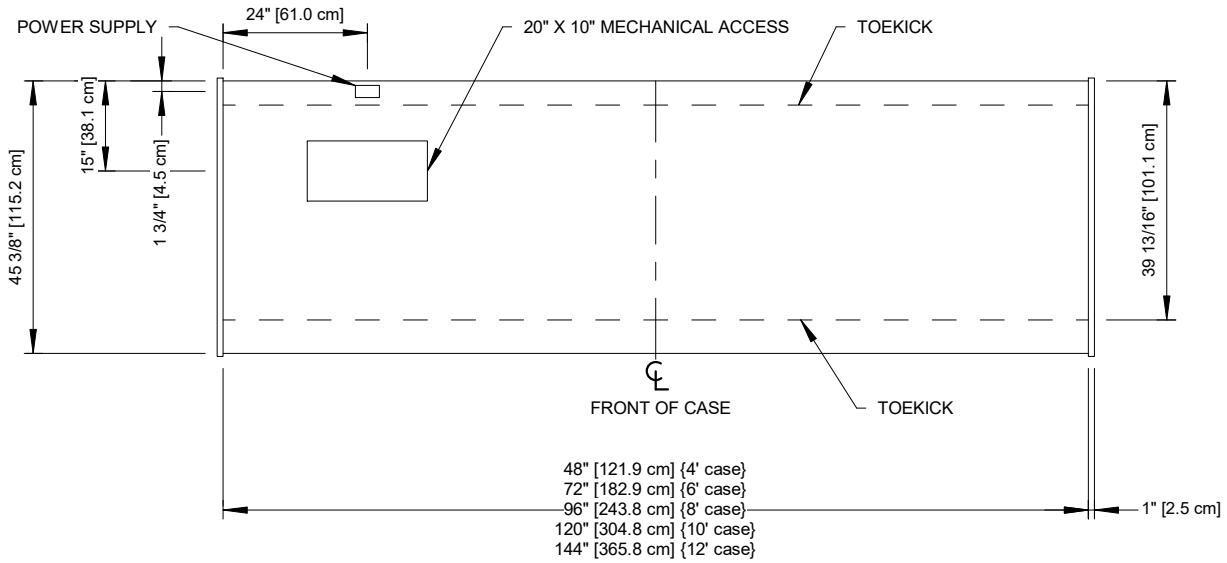
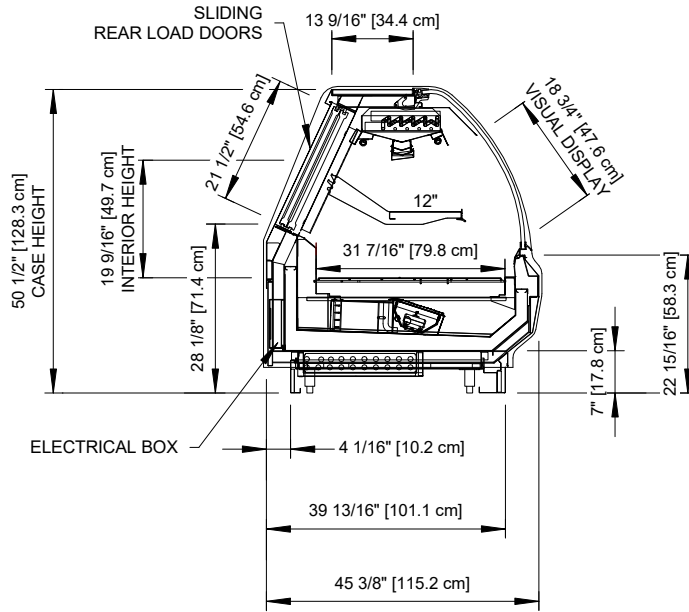


SSA-RG



ALL MEASUREMENTS ARE TAKEN PER ASHRAE-72 SPECIFICATIONS. HILLPHOENIX REFRIGERATED DISPLAY CASES FOR SALE IN THE UNITED STATES MEET OR EXCEED DEPARTMENT OF ENERGY 2017 REQUIREMENTS.

| Rev. Date | Rev. # | Rev. Title |
|-----------|--------|---------------|
| 03-10-22 | 2 | DATA UPDATE |
| 10-28-20 | 1 | NEW STANDARDS |



NOTES:

- Shown with optional shelving.



SSA-RG

| Rev. Date | Rev. # | Rev. Title |
|-----------|--------|---------------|
| 03-10-22 | 2 | DATA UPDATE |
| 10-28-20 | 1 | NEW STANDARDS |



ALL MEASUREMENTS ARE TAKEN PER ASHRAE-72 SPECIFICATIONS. HILLPHOENIX REFRIGERATED DISPLAY CASES FOR SALE IN THE UNITED STATES MEET OR EXCEED DEPARTMENT OF ENERGY 2017 REQUIREMENTS.