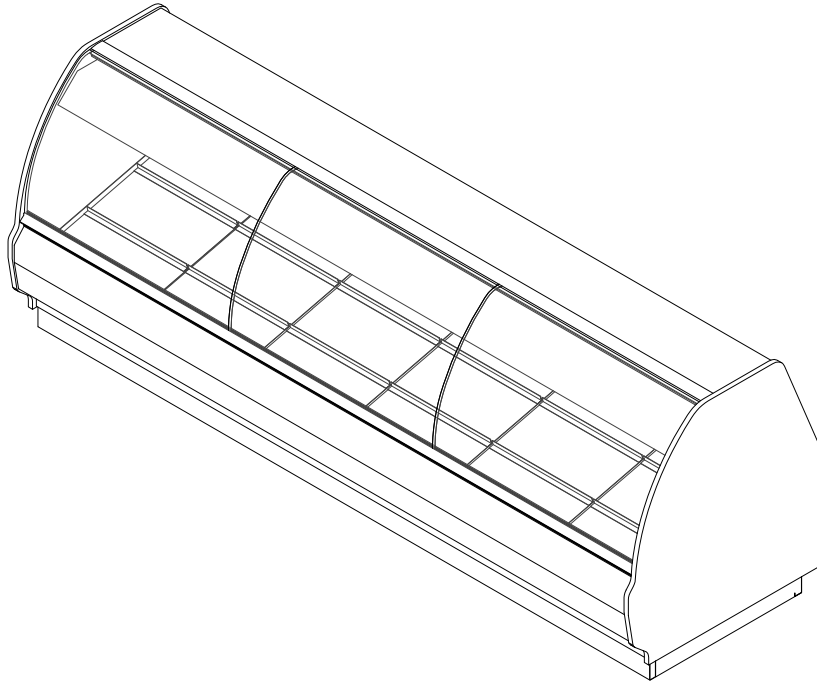


SSAM-RG

Service Single-Deck Merchandiser w/ Curved Lift Glass
4', 6', 8', 10' & 12' (Meat/Seafood)

GENERAL NOTES:

- "---" Indicates that the feature is not an option on this case model and/or the data is not yet available at this time.



| SHIPPING WEIGHT | |
|-----------------|--------|
| Case | Weight |
| SSAM-RG | --- |



SSAM-RG

| Rev. Date | Rev. # | Rev. Title |
|-----------|--------|---------------|
| 03-10-22 | 2 | DATA UPDATE |
| 10-30-20 | 1 | NEW STANDARDS |

ALL MEASUREMENTS ARE TAKEN PER ASHRAE-72 SPECIFICATIONS. HILLPHOENIX REFRIGERATED DISPLAY CASES FOR SALE IN THE UNITED STATES MEET OR EXCEED DEPARTMENT OF ENERGY 2017 REQUIREMENTS.



| ELECTRICAL DATA | | | | | | | | | | | |
|-----------------|---------------|----------------------|-------|----------------------|-------|---------------|-------|--------------------------|-------|-----------|-------|
| Case Length | Fans Per Case | High Efficiency Fans | | Anti-Condensate Fans | | Drain Heaters | | Optional Defrost Heaters | | | |
| | | 120 Volts | | 120 Volts | | 120 Volts | | 208 Volts | | 240 Volts | |
| | | Amps | Watts | Amps | Watts | Amps | Watts | Amps | Watts | Amps | Watts |
| 4' | --- | --- | --- | --- | --- | --- | --- | --- | --- | --- | --- |
| 6' | --- | --- | --- | --- | --- | --- | --- | --- | --- | --- | --- |
| 8' | --- | --- | --- | --- | --- | --- | --- | --- | --- | --- | --- |
| 10' | --- | --- | --- | --- | --- | --- | --- | --- | --- | --- | --- |
| 12' | --- | --- | --- | --- | --- | --- | --- | --- | --- | --- | --- |

| LIGHTING DATA | | | | | | |
|---------------|----------------|--------------|--|-------|----------------------|-------|
| Case Length | Lights Per Row | Light Length | Clearvoyant 4 LED Lighting (Per Light Row) | | | |
| | | | Standard Power (Cornice or Shelf) | | High Power (Cornice) | |
| | | | 120 Volts | | 120 Volts | |
| | | | Amps | Watts | Amps | Watts |
| 4' | 1 | 4' | 0.05 | 5.9 | 0.12 | 14.9 |
| 6' | 2 | 3' | 0.08 | 9.4 | 0.20 | 23.8 |
| 8' | 2 | 4' | 0.10 | 11.8 | 0.24 | 29.8 |
| 10' | 2 | 5' | 0.12 | 15.0 | 0.30 | 37.0 |
| 12' | 3 | 4' | 0.15 | 17.7 | 0.36 | 44.7 |

| GUIDELINES AND CONTROL SETTINGS (DX) {DIRECT EXPANSION HFC/CO2} | | | | | | |
|---|--------------|----------|---------------------------------|-----------------|--------------------|------------------------------|
| | BTUH/ft | | Superheat Set Point @ Bulb (°F) | Evaporator (°F) | Discharge Air (°F) | Discharge Air Velocity (FPM) |
| | Conventional | Parallel | | | | |
| DX | 316 | 243 | 6 - 8 | 20 | 28 | --- |
| DX w/ Misting System | 130 | 119 | 6 - 8 | 20 | 30 | --- |

NOTES:

- "----" Indicates that the feature is not an option on this case model and/or the data is not yet available at this time.
- Recommended misting system setup is 30 seconds misting at 6 minute intervals.
- The provided 'DX w/ Misting System' data includes all guidelines and control settings for the entire case system.
- For the 'DX w/ Misting System', do NOT add any additional BTUH's to the listed ratings unless specified here in the case notes section.
- Add 130 BTUH for misting pump and 5.5 amps for water pump.
- Serpentine coil requires 32°F SST.
- Evaporator temperature is to be set at 15°F when a shelf is in use.
- Listed discharge air velocity represents the average velocity at the peak of defrost.
- Units equipped with RH systems require 2 defrosts per day with a fail-safe of 120 minutes.
- Run-off time (min) for hot gas defrost only.
- Defrost termination temperature for the suction manifold.
- Listed data is based on the factory recommended default fresh meat temperature settings.
- Shelves are not recommended for fresh meat applications.
- Discharge air temperature values represent readings taken within the upper air channel immediately behind/upstream of the honeycomb.



SSAM-RG



ALL MEASUREMENTS ARE TAKEN PER ASHRAE-72 SPECIFICATIONS. HILLPHOENIX REFRIGERATED DISPLAY CASES FOR SALE IN THE UNITED STATES MEET OR EXCEED DEPARTMENT OF ENERGY 2017 REQUIREMENTS.

| Rev. Date | Rev. # | Rev. Title |
|-----------|--------|---------------|
| 03-10-22 | 2 | DATA UPDATE |
| 10-30-20 | 1 | NEW STANDARDS |

| DEFROST CONTROLS {DIRECT EXPANSION HFC/CO2} | | | | | | | | |
|---|------------------|--------------------|------------------|-----------------------|-------------------|-----------------------|-----------------|-----------------------|
| | Defrosts Per Day | Run-Off Time (Min) | Electric Defrost | | Timed-Off Defrost | | Hot Gas Defrost | |
| | | | Fail-Safe (Min) | Termination Temp (°F) | Fail-Safe (Min) | Termination Temp (°F) | Fail-Safe (Min) | Termination Temp (°F) |
| DX | 2 | 5 | --- | --- | 105 | 42 | 20 | 60 |
| DX w/ Misting System | 6 | 5 | --- | --- | 105 | 42 | 20 | 60 |



SSAM-RG



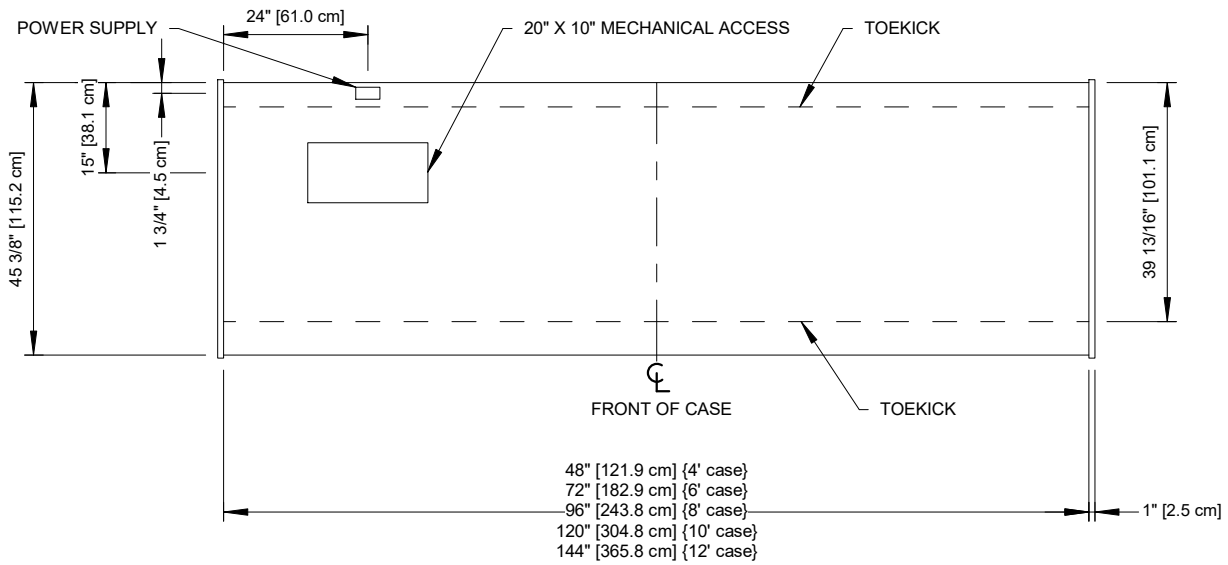
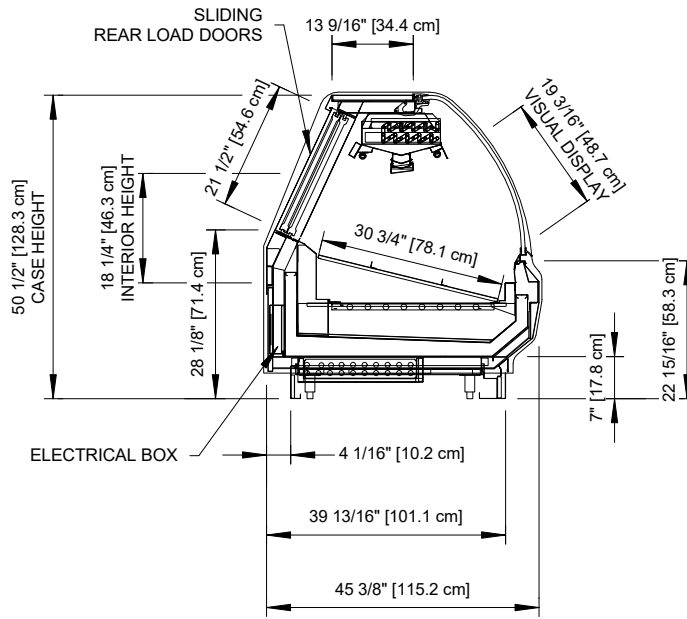
ALL MEASUREMENTS ARE TAKEN PER ASHRAE-72 SPECIFICATIONS. HILLPHOENIX REFRIGERATED DISPLAY CASES FOR SALE IN THE UNITED STATES MEET OR EXCEED DEPARTMENT OF ENERGY 2017 REQUIREMENTS.

| Rev. Date | Rev. # | Rev. Title |
|-----------|--------|---------------|
| 03-10-22 | 2 | DATA UPDATE |
| 10-30-20 | 1 | NEW STANDARDS |



SSAM-RG

System Single-Deck Merchandiser w/ Curved Lift Glass
4', 6', 8', 10' & 12' (Meat/Seafood)



SSAM-RG



ALL MEASUREMENTS ARE TAKEN PER ASHRAE-72 SPECIFICATIONS. HILLPHOENIX REFRIGERATED DISPLAY CASES FOR SALE IN THE UNITED STATES MEET OR EXCEED DEPARTMENT OF ENERGY 2017 REQUIREMENTS.

| Rev. Date | Rev. # | Rev. Title |
|-----------|--------|---------------|
| 03-10-22 | 2 | DATA UPDATE |
| 10-30-20 | 1 | NEW STANDARDS |