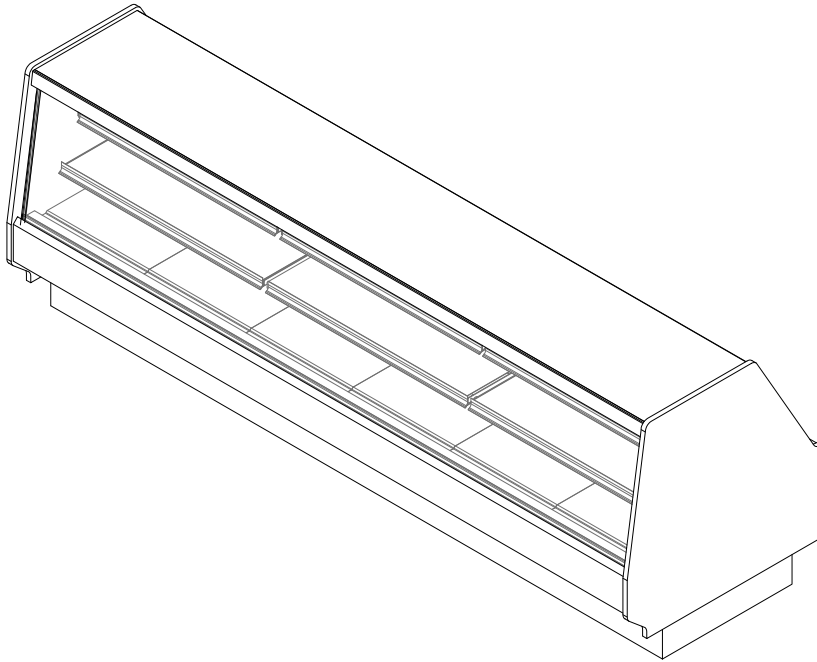


GENERAL NOTES:

- "---" Indicates that the feature is not an option on this case model and/or the data is not yet available at this time.
- Shelving shown (optional)



SHIPPING WEIGHT	
Case	Weight
SSM-R	---



SSM-R

Rev. Date	Rev. #	Rev. Title
03-10-22	2	DATA UPDATE
11-25-20	1	NEW STANDARDS

ALL MEASUREMENTS ARE TAKEN PER ASHRAE-72 SPECIFICATIONS. HILLPHOENIX REFRIGERATED DISPLAY CASES FOR SALE IN THE UNITED STATES MEET OR EXCEED DEPARTMENT OF ENERGY 2017 REQUIREMENTS.



ELECTRICAL DATA											
Case Length	Fans Per Case	High Efficiency Fans		Anti-Condensate Fans		Drain Heaters		Optional Defrost Heaters			
		120 Volts		120 Volts		120 Volts		208 Volts		240 Volts	
		Amps	Watts	Amps	Watts	Amps	Watts	Amps	Watts	Amps	Watts
4'	2	0.60	72.0	---	---	---	---	1.92	400.0	2.22	532.0
6'	2	0.60	72.0	---	---	---	---	2.88	600.0	3.33	798.0
8'	3	0.90	108.0	---	---	---	---	3.85	800.0	4.44	1065.0
10'	4	1.20	144.0	---	---	---	---	4.81	1000.0	5.56	1332.0
12'	4	1.20	144.0	---	---	---	---	5.77	1200.0	6.67	1600.0

LIGHTING DATA						
Case Length	Lights Per Row	Light Length	Clearvoyant 4 LED Lighting (Per Light Row)			
			Standard Power (Cornice or Shelf)		High Power (Cornice)	
			120 Volts		120 Volts	
			Amps	Watts	Amps	Watts
4'	1	4'	0.05	5.9	0.12	14.9
6'	2	3'	0.08	9.4	0.20	23.8
8'	2	4'	0.10	11.8	0.24	29.8
10'	2	5'	0.12	15.0	0.30	37.0
12'	3	4'	0.15	17.7	0.36	44.7

GUIDELINES AND CONTROL SETTINGS (DX) {DIRECT EXPANSION HFC/CO2}						
	BTUH/ft		Superheat Set Point @ Bulb (°F)	Evaporator (°F)	Discharge Air (°F)	Discharge Air Velocity (FPM)
	Conventional	Parallel				
26" Glass	230	210	6 - 8	26	30	235
30" Glass	256	230	6 - 8	26	30	235

DEFROST CONTROLS {DIRECT EXPANSION HFC/CO2}							
Defrosts Per Day	Run-Off Time (Min)	Electric Defrost		Timed-Off Defrost		Hot Gas Defrost	
		Fail-Safe (Min)	Termination Temp (°F)	Fail-Safe (Min)	Termination Temp (°F)	Fail-Safe (Min)	Termination Temp (°F)
4	6 - 8	---	---	60	42	20	60

- NOTES:**
- "—" Indicates that the feature is not an option on this case model and/or the data is not yet available at this time.
 - Listed BTUH indicates unlighted shelves. Add the following for lighted shelves:
 4' Shelf LED: 36 BTUH
 4' Canopy LED: 72 BTUH
 3' Shelf LED: 27 BTUH
 3' Hi-Output LED: 54 BTUH
 - Listed discharge air velocity represents the average velocity at the peak of defrost.
 - Discharge air temperature values represent readings taken within the upper air channel immediately behind/upstream of the honeycomb.

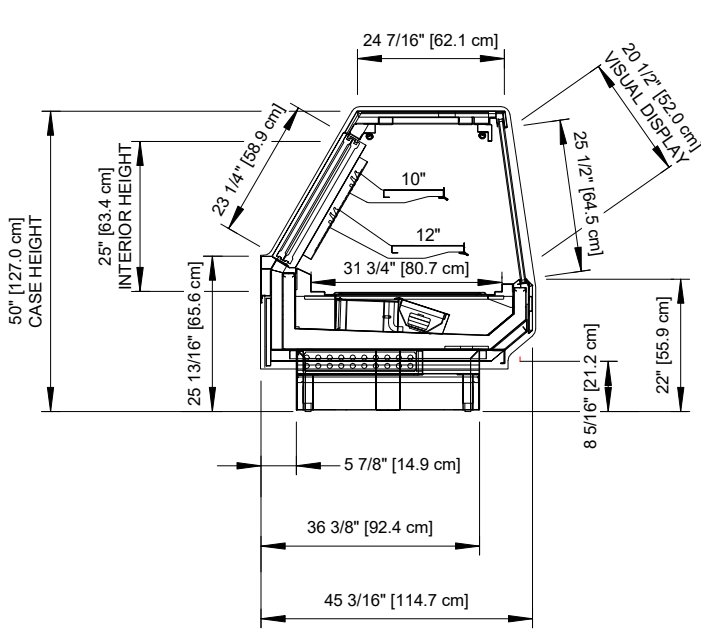


SSM-R

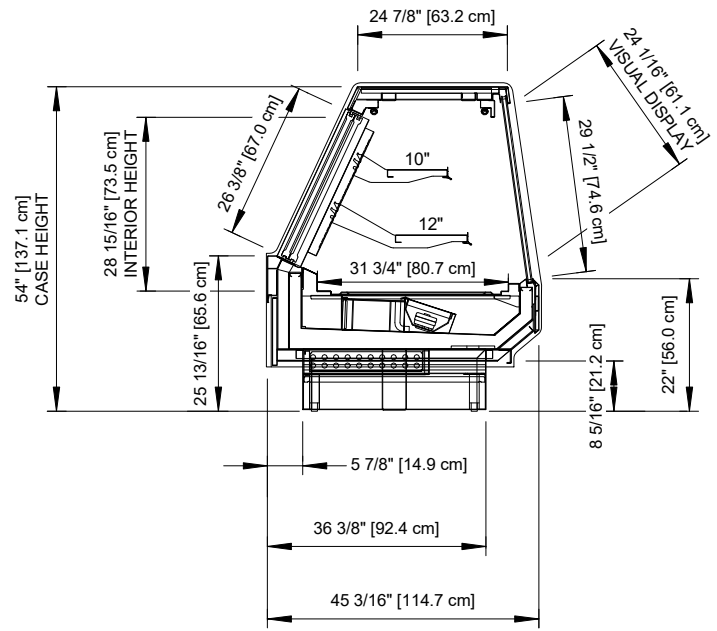


ALL MEASUREMENTS ARE TAKEN PER ASHRAE-72 SPECIFICATIONS. HILLPHOENIX REFRIGERATED DISPLAY CASES FOR SALE IN THE UNITED STATES MEET OR EXCEED DEPARTMENT OF ENERGY 2017 REQUIREMENTS.

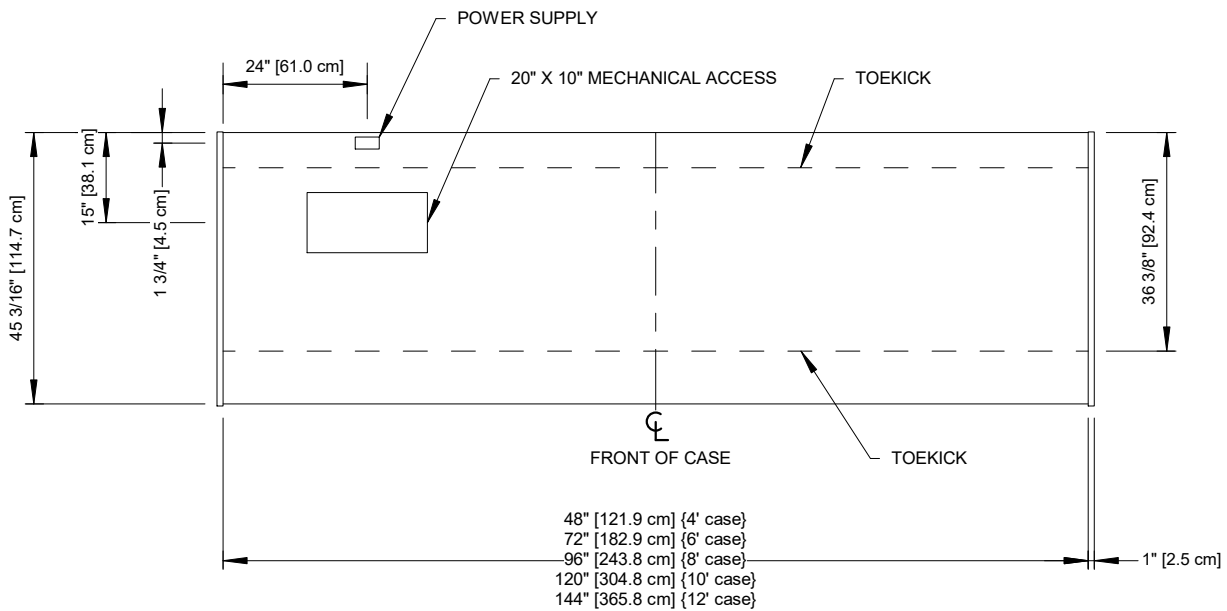
Rev. Date	Rev. #	Rev. Title
03-10-22	2	DATA UPDATE
11-25-20	1	NEW STANDARDS



26" GLASS



30" GLASS



NOTES:

- Shown with optional shelving.



SSM-R



ALL MEASUREMENTS ARE TAKEN PER ASHRAE-72 SPECIFICATIONS. HILLPHOENIX REFRIGERATED DISPLAY CASES FOR SALE IN THE UNITED STATES MEET OR EXCEED DEPARTMENT OF ENERGY 2017 REQUIREMENTS.

Rev. Date	Rev. #	Rev. Title
03-10-22	2	DATA UPDATE
11-25-20	1	NEW STANDARDS