

DA130

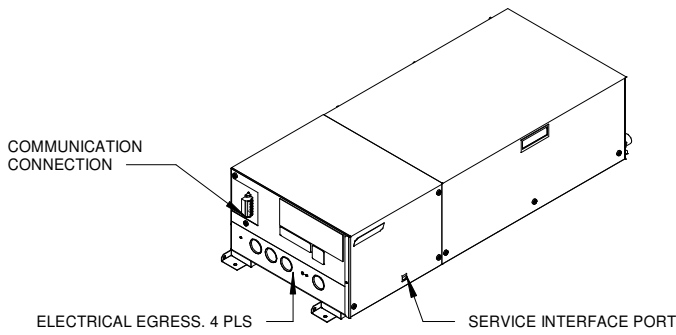
SoloChill Micro Distributed Model
End Water Egress



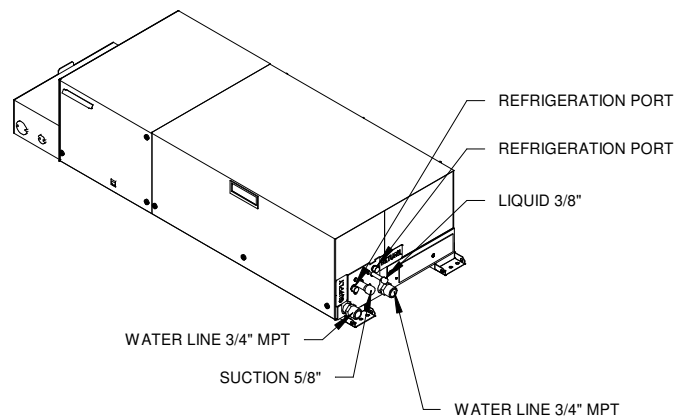
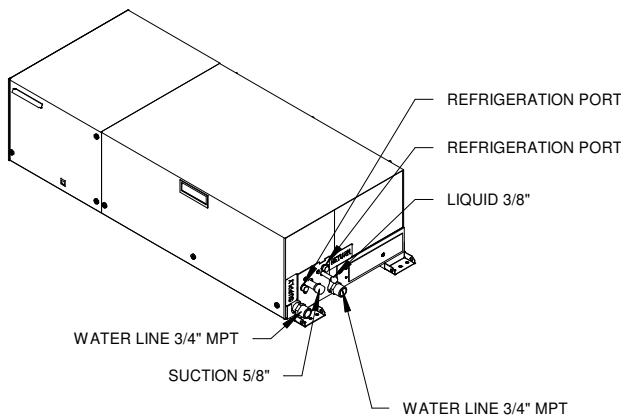
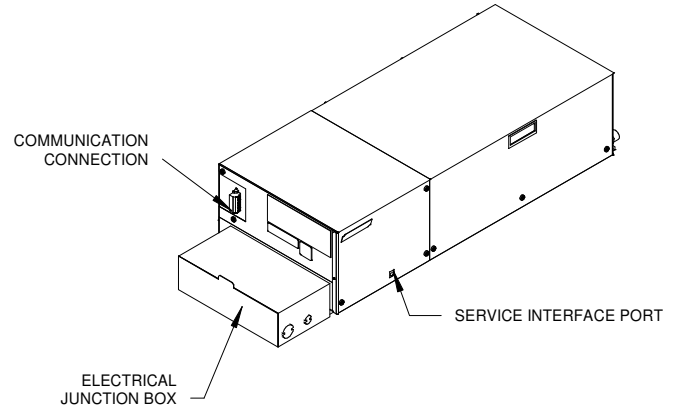
GENERAL NOTES:

- "---" indicates that the feature is not an option on this case model and/or the data is not available at this time.
- Versions with junction box are supplied when unit is field installed remote from case/unit cooler.

NO JUNCTION BOX OPTION



JUNCTION BOX OPTION



SHIPPING WEIGHT	
Case	Weight
DA130	150 lbs.



DA130

ALL MEASUREMENTS ARE TAKEN PER
ASHRAE-72-2005 SPECIFICATIONS.

Rev. Date	Rev. #	Rev. Title
9-17-20	5	UPDATE TO V5
7-17-19	4	DATA UPDATE



A DOVER COMPANY

DA130



Volts	Phase	Frequency (Hz)	Wire	MRC	MOP
208	1	60	3 Wire + Ground	8.1	15

TABLE A		
Circuit	MT Models	LT Models
Lights	6A	6A
Fans	6A	30A
Defrost Heaters	N/A	30A
A/S Heaters	30A	30A

Case Length	R448A			
	Evaporator Temp (°F)	Required Capacity	Flow Rate	THR (BTUH)
DA130	35	10723	3.7	12923
DA130	30	9642	3.4	11841
DA130	25	8620	3.1	10802
DA130	20	7693	2.8	9849
DA130	15	6819	2.6	8932
DA130	10	6031	2.3	8097
DA130	5	5289	2.1	7291
DA130	0	4626	1.9	6563
DA130	-5	3715	1.6	5439
DA130	-10	3203	1.4	4851
DA130	-15	2720	1.2	4281
DA130	-20	2298	1.1	3774
DA130	-25	1899	0.9	3280
DA130	-30	1556	0.8	2845

NOTES:

- "---" indicates that the feature is not an option on this case model and/or the data is not available at this time.
- Use conventional BTUH on case cutsheet for HPQA unit sizing. Excess capacity for pulldown is integrated into HPQA BTUH data.
- 208V 4Wire [L1, L2, N, G]
- Maximum water temperature is 95°F (preferred temperature is 70-80°F for max efficiency).
- Use Belden Cable 8762 or equivalent (2C 20AWG shielded cable) for all field RS485 and pLAN communications.
- MOP shown for SoloChill only. It does not include additional electrical circuits such as fans, lights, defrost/heaters, and A/C heaters.
- Table A includes maximum ampacity allowed through SoloChill unit for each circuit.



DA130

ALL MEASUREMENTS ARE TAKEN PER
ASHRAE-72-2005 SPECIFICATIONS.

Rev. Date	Rev. #	Rev. Title
9-17-20	5	UPDATE TO V5
7-17-19	4	DATA UPDATE

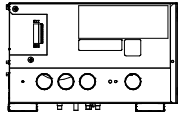


A DOVER COMPANY

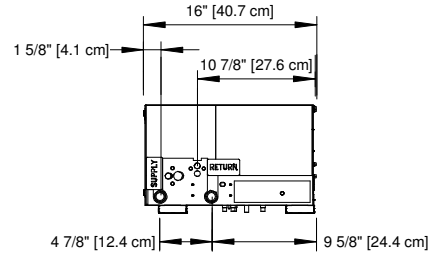
DA130

SoloChill Micro Distributed Model
End Water Egress

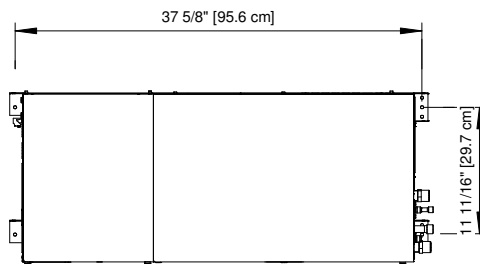
NO JUNCTION BOX OPTION



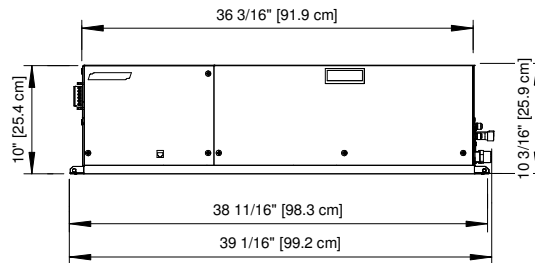
LEFT VIEW



RIGHT VIEW



TOP VIEW



FRONT VIEW



ALL MEASUREMENTS ARE TAKEN PER
ASHRAE-72-2005 SPECIFICATIONS.

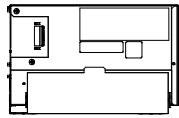
DA130

Rev. Date	Rev. #	Rev. Title
9-17-20	5	UPDATE TO V5
7-17-19	4	DATA UPDATE

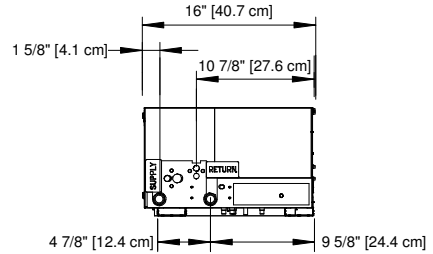


A DOVER COMPANY

JUNCTION BOX OPTION

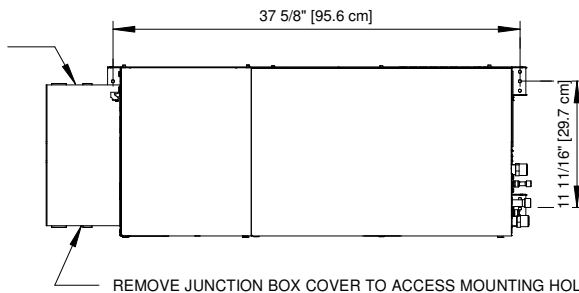


LEFT VIEW

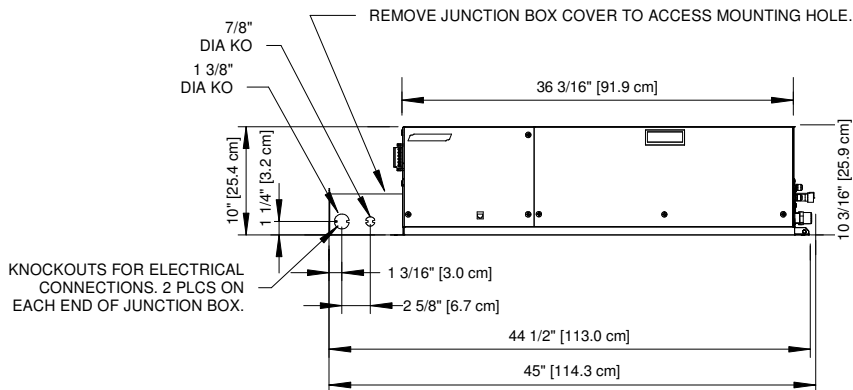


RIGHT VIEW

KNOCKOUTS FOR ELECTRICAL CONNECTIONS. 2 PLCS ON EACH END OF JUNCTION BOX.



TOP VIEW



FRONT VIEW



DA130

ALL MEASUREMENTS ARE TAKEN PER ASHRAE-72-2005 SPECIFICATIONS.

Rev. Date	Rev. #	Rev. Title
9-17-20	5	UPDATE TO V5
7-17-19	4	DATA UPDATE



A DOVER COMPANY