

# DA420

SoloChill Micro Distributed Model  
End Water Egress

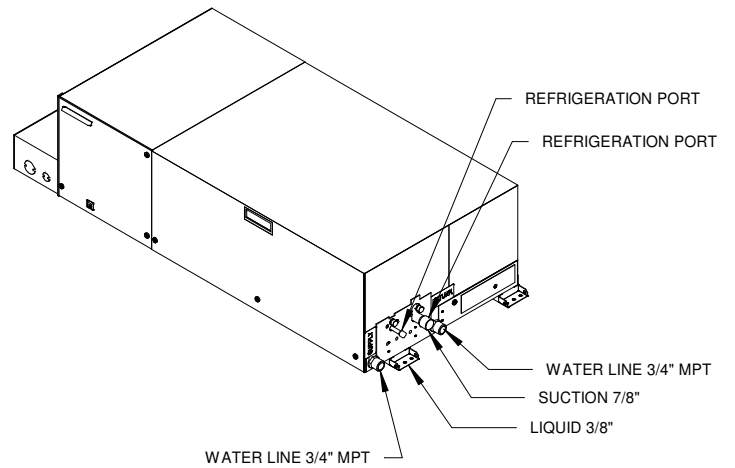
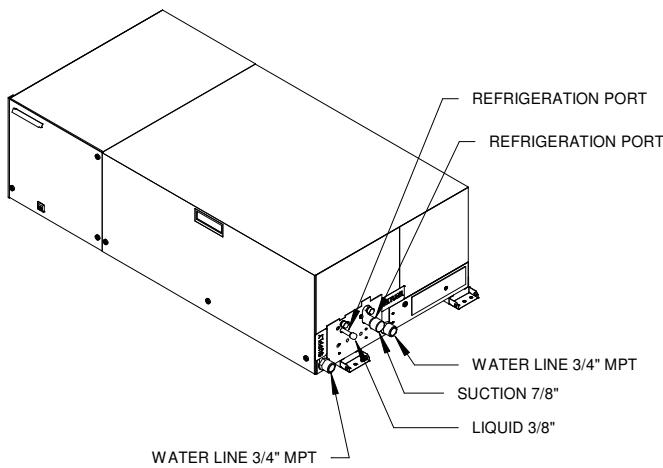
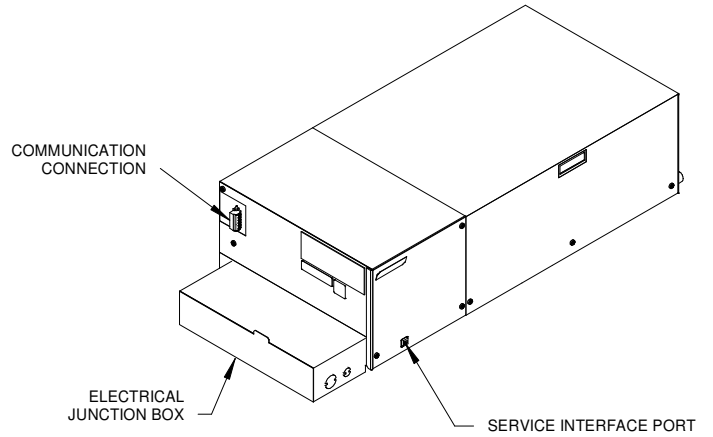
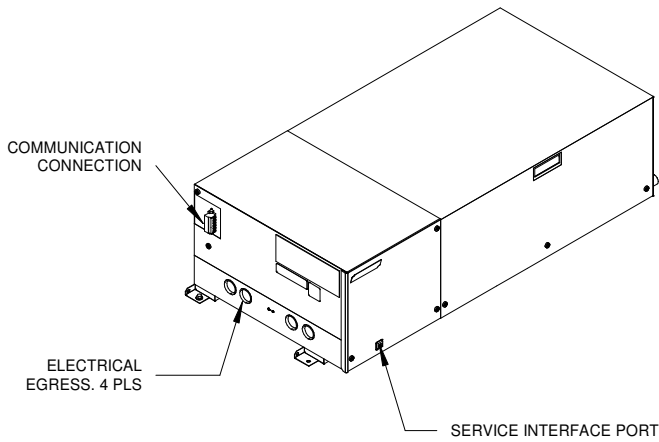


**GENERAL NOTES:**

- "---" indicates that the feature is not an option on this case model and/or the data is not available at this time.
- Versions with junction box are supplied when unit is field installed remote from case/unit cooler.

NO JUNCTION BOX OPTION

JUNCTION BOX OPTION



SHIPPING WEIGHT	
Case	Weight
DA420	200 lbs.



**DA420**

ALL MEASUREMENTS ARE TAKEN PER  
ASHRAE-72-2005 SPECIFICATIONS.

Rev. Date	Rev. #	Rev. Title
9-17-20	5	UPDATE TO V5
7-17-19	4	DATA UPDATE



A DOVER COMPANY

# DA420

SoloChill Micro Distributed Model  
End Water Egress



Volts	Phase	Frequency (Hz)	Wire	MRC	MOP
208	1	60	3 Wire + Ground	27	30

TABLE A		
Circuit	MT Models	LT Models
Lights	6A	6A
Fans	6A	30A
Defrost Heaters	N/A	30A
A/S Heaters	30A	30A

R448A			
Evaporator Temp (°F)	Required Capacity	Flow Rate	THR (BTUH)
35	28819	9.9	34475
30	26260	9.1	31913
25	23754	8.4	29363
20	21412	7.7	26953
15	19132	7.0	24566
10	17029	6.4	22338
5	14997	5.8	20145
0	13154	5.2	18130
-5	10575	4.3	15037
-10	9122	3.8	13389
-15	7753	3.4	11795
-20	6575	3.0	10396
-25	5488	2.6	9062
-30	4596	2.3	7933

**NOTES:**

- "---" indicates that the feature is not an option on this case model and/or the data is not available at this time.
- Use conventional BTUH on case cutsheet for HPQA unit sizing. Excess capacity for pulldown is integrated into HPQA BTUH data.
- 208V 4Wire [L1, L2, N, G]
- Maximum water temperature is 95°F (preferred temperature is 70-80°F for max efficiency).
- Use Belden Cable 8762 or equivalent (2C 20AWG shielded cable) for all field RS485 and pLAN communications.
- MOP shown for SoloChill only. It does not include additional electrical circuits such as fans, lights, defrost/heaters, and A/C heaters.
- Table A includes maximum ampacity allowed through SoloChill unit for each circuit.



**DA420**

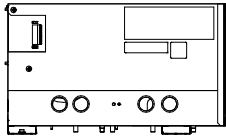
ALL MEASUREMENTS ARE TAKEN PER  
ASHRAE-72-2005 SPECIFICATIONS.

Rev. Date	Rev. #	Rev. Title
9-17-20	5	UPDATE TO V5
7-17-19	4	DATA UPDATE

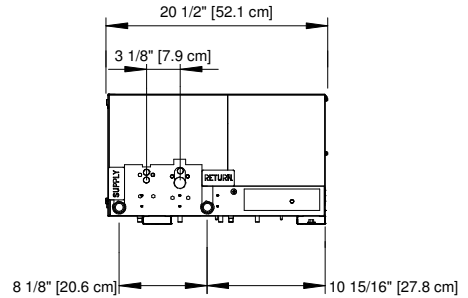


A DOVER COMPANY

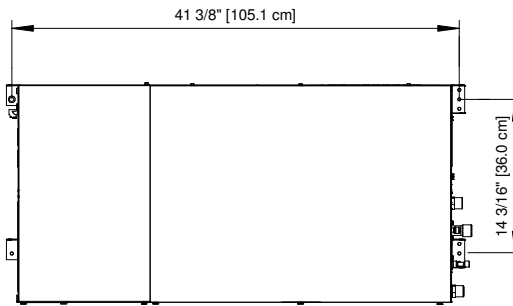
NO JUNCTION BOX OPTION



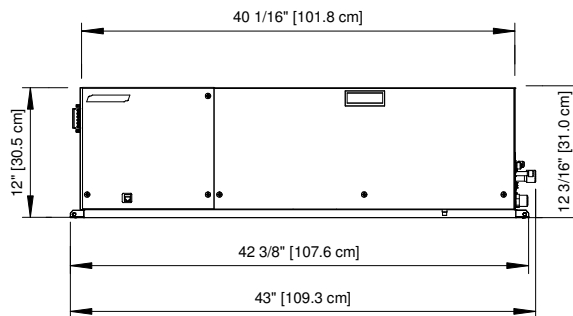
LEFT VIEW



RIGHT VIEW



TOP VIEW



FRONT VIEW



ALL MEASUREMENTS ARE TAKEN PER  
ASHRAE-72-2005 SPECIFICATIONS.

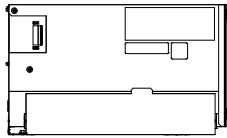
**DA420**

Rev. Date	Rev. #	Rev. Title
9-17-20	5	UPDATE TO V5
7-17-19	4	DATA UPDATE

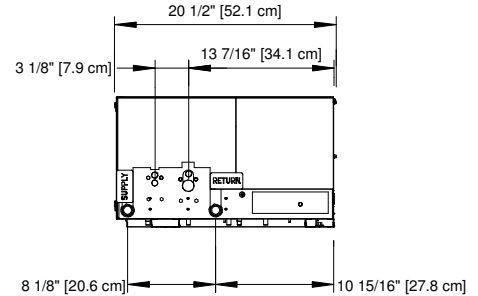


A DOVER COMPANY

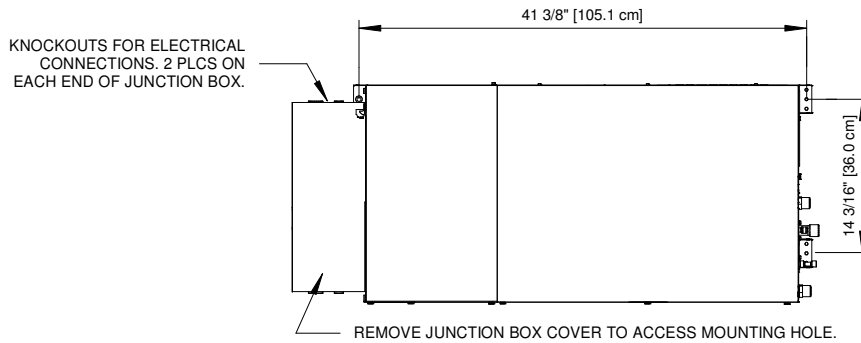
## JUNCTION BOX OPTION



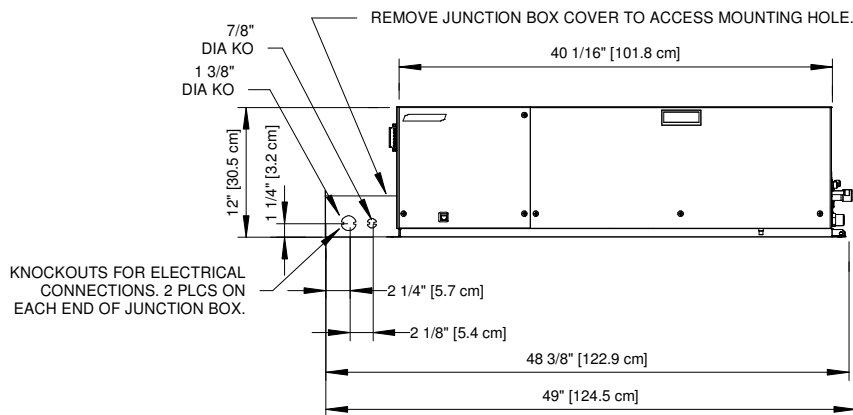
LEFT VIEW



RIGHT VIEW



TOP VIEW



FRONT VIEW



ALL MEASUREMENTS ARE TAKEN PER  
ASHRAE-72-2005 SPECIFICATIONS.

### DA420

Rev. Date	Rev. #	Rev. Title
9-17-20	5	UPDATE TO V5
7-17-19	4	DATA UPDATE



A DOVER COMPANY