

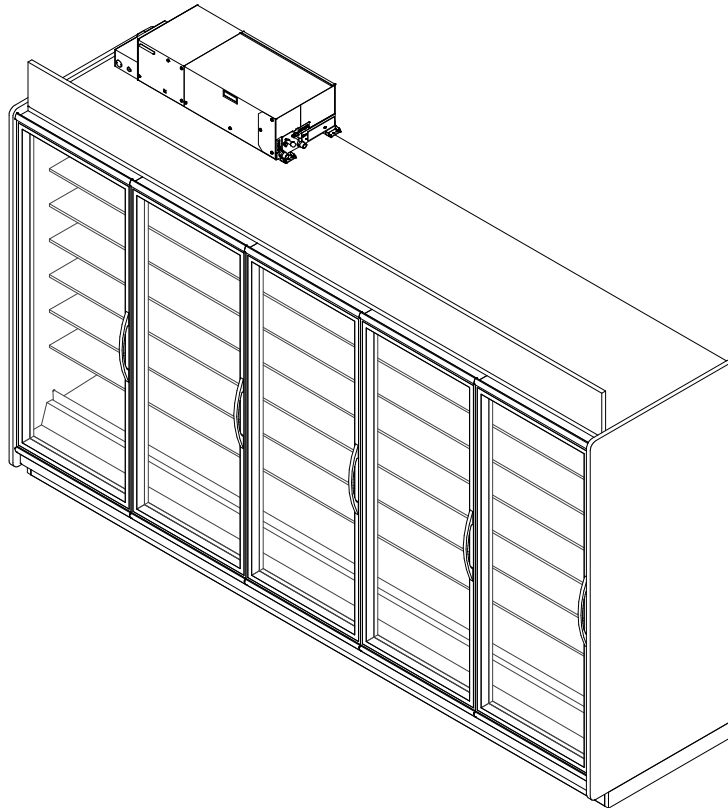
VNRBQA

2, 3, 4, & 5 Door / 4', 6', 8' & 12' Narrow Reach-In Merchandiser
Beverage/Bakery/Dairy/Cut Produce/Deli/Meat/Seafood

SOLOCHILL
MICRO-DISTRIBUTED

GENERAL NOTES:

- 4-foot cases Bi-Swing consist of 2 (24") doors.
- 6-foot cases Bi-Swing consist of 3 (24") doors.
- 8-foot case Bi-swing consist of 4 (24") doors.
- 12-foot cases Bi-swing consist of 6 (24") doors.
- Lighting controls - occupancy sensors are required.
- Option 1: OEM Provided: Lighting controls (on/off) are standard unless otherwise specified.
- Option 2: End User Provided: Light controls should be based on occupancy sensors.



SHIPPING WEIGHT	
Case	Weight
VNRBQA	---



ALL MEASUREMENTS ARE TAKEN PER ASHRAE-72-2005 SPECIFICATIONS. HILLPHOENIX REFRIGERATED DISPLAY CASES FOR SALE IN THE UNITED STATES MEET OR EXCEED DEPARTMENT OF ENERGY 2017 REQUIREMENTS.

VNRBQA

Rev. Date	Rev. #	Rev. Title
20-10-20	5	SOLOCHILL V5
7-13-20	4	DATA UPDATE

Hillphoenix
A DOVER COMPANY

VNRBQA

2, 3, 4, & 5 Door / 4', 6', 8' & 12' Narrow Reach-In Merchandiser
Beverage/Bakery/Dairy/Cut Produce/Deli/Meat/Seafood



ELECTRICAL DATA			
Case Length	Fans Per Case	High Efficiency Fans	
		120 Volts	
		Amps	Watts
2 Door	1	0.22	26
3 Door	2	0.43	52
4 Door	2	0.43	52
5 Door	3	0.65	78
4'	1	0.22	26
6'	2	0.43	52
8'	2	0.43	52
12'	3	0.65	78

LIGHTING DATA									
Case Length	Door Size	OP45		OP55 (French Swing Only)		OP7 Single Swing		OP7 French Swing	
		120 Volts		120 Volts		120 Volts		120 Volts	
		Amps	Watts	Amps	Watts	Amps	Watts	Amps	Watts
2 Door	30"	0.36	43.1	---	---	0.33	39.7	---	---
3 Door	30"	0.54	65.2	---	---	0.49	59.0	---	---
4 Door	30"	0.73	87.3	---	---	0.65	78.3	---	---
5 Door	30"	0.91	109.4	---	---	0.81	97.6	---	---
4'	24"	---	---	0.26	31.0	---	---	0.27	32.6
6'	24"	---	---	0.52	61.9	---	---	0.52	62.0
8'	24"	---	---	0.52	61.9	---	---	0.52	62.0
12'	24"	---	---	0.77	92.8	---	---	0.76	91.4

ANTI CONDENSATE DATA					
Case Length	Door Size	101 Frames		Vista Frames	
		Un Heated Doors		Un Heated Doors	
		ELMD, ELMH, I90		Vista C, I60	
		120 Volts		120 Volts	
		Amps	Watts	Amps	Watts
2 Door	30"	0.36	43	0.36	43
3 Door	30"	0.57	68	0.57	68
4 Door	30"	0.79	95	0.79	95
5 Door	30"	0.98	118	0.98	118
4'	24"	0.19	23	0.19	23
6'	24"	0.40	48	0.40	48
8'	24"	0.44	53	0.44	53
12'	24"	0.70	84	0.70	84



ALL MEASUREMENTS ARE TAKEN PER ASHRAE-72-2005 SPECIFICATIONS. HILLPHOENIX REFRIGERATED DISPLAY CASES FOR SALE IN THE UNITED STATES MEET OR EXCEED DEPARTMENT OF ENERGY 2017 REQUIREMENTS.

VNRBQA

Rev. Date	Rev. #	Rev. Title
20-10-20	5	SOLOCHILL V5
7-13-20	4	DATA UPDATE



A DOVER COMPANY

VNRBQA

2, 3, 4, & 5 Door / 4', 6', 8' & 12' Narrow Reach-In Merchandiser
Beverage/Bakery/Dairy/Cut Produce/Deli/Meat/Seafood

SOLOCHILL
MICRO-DISTRIBUTED

DEFROST CONTROLS		
Defrosts Per Day	Timed-Off Defrost	
	Fail-Safe (Min)	Termination Temp (°F)
2	30	38

NOTES:

- "---" indicates that this feature is not an option on this case model.
- Data listed is for Optimax Radiant. For other lighting options please contact your sales representative.
- Listed discharge air velocity represents the average velocity at the peak of defrost.
- Temperature and defrost settings listed above are recommended start-up settings. Final operational settings may need to be adjusted for the store conditions in which the case operates.
- Light wattages above reflect 100% run time. To determine actual daily energy usage at 75°F/55%RH conditions, reduce the light wattages above by 42%.



ALL MEASUREMENTS ARE TAKEN PER ASHRAE-72-2005 SPECIFICATIONS. HILLPHOENIX REFRIGERATED DISPLAY CASES FOR SALE IN THE UNITED STATES MEET OR EXCEED DEPARTMENT OF ENERGY 2017 REQUIREMENTS.

VNRBQA

Rev. Date	Rev. #	Rev. Title
20-10-20	5	SOLOCHILL V5
7-13-20	4	DATA UPDATE

Hillphoenix
A DOVER COMPANY

VNRBQA

2, 3, 4, & 5 Door / 4', 6', 8' & 12' Narrow Reach-In Merchandiser
Beverage/Bakery/Dairy/Cut Produce/Deli/Meat/Seafood



SOLOCHILL DATA			@95° Condensing Temperature		
Volts	Phase	Frequency	Wire		
208	1	60	3 Wire + Ground		
Application	Case Length	Evaporator Temp (°F)	Discharge Air (°F)	Discharge Air Velocity (FPM)	
BEVERAGE	2 Door	34	40	300	
BEVERAGE	3 Door	34	40	300	
BEVERAGE	4 Door	34	40	300	
BEVERAGE	5 Door	34	40	300	
BEVERAGE	4'	34	40	300	
BEVERAGE	6'	34	40	300	
BEVERAGE	8'	34	40	300	
BEVERAGE	12'	34	40	300	
DELI	2 Door	31	36	300	
DELI	3 Door	31	36	300	
DELI	4 Door	31	36	300	
DELI	5 Door	31	36	300	
DELI	4'	31	36	300	
DELI	6'	31	36	300	
DELI	8'	31	36	300	
DELI	12'	31	36	300	
MEAT	2 Door	28	34	300	
MEAT	3 Door	28	34	300	
MEAT	4 Door	28	34	300	
MEAT	5 Door	28	34	300	
MEAT	4'	28	34	300	
MEAT	6'	28	34	300	
MEAT	8'	28	34	300	
MEAT	12'	28	34	300	



ALL MEASUREMENTS ARE TAKEN PER ASHRAE-72-2005 SPECIFICATIONS. HILLPHOENIX REFRIGERATED DISPLAY CASES FOR SALE IN THE UNITED STATES MEET OR EXCEED DEPARTMENT OF ENERGY 2017 REQUIREMENTS.

VNRBQA

Rev. Date	Rev. #	Rev. Title
20-10-20	5	SOLOCHILL V5
7-13-20	4	DATA UPDATE



A DOVER COMPANY

VNRBQA

2, 3, 4, & 5 Door / 4', 6', 8' & 12' Narrow Reach-In Merchandiser
Beverage/Bakery/Dairy/Cut Produce/Deli/Meat/Seafood

SOLOCHILL
MICRO-DISTRIBUTED

Application	Case Length	R448A					
		Condensing Unit Model	MCA	MOP	Required Capacity	THR (BTUH)	Flow Rate
BEVERAGE	4'	DA091	8.1	15	810	1073	0.3
BEVERAGE	6'	DA091	8.7	15	1215	1564	0.4
BEVERAGE	8'	DA091	8.7	15	1620	2056	0.6
BEVERAGE	12'	DA091	9.3	15	2430	3041	0.9
BEVERAGE	2 Door	DA091	8.2	15	1010	1315	0.4
BEVERAGE	3 Door	DA091	8.7	15	1515	1928	0.6
BEVERAGE	4 Door	DA091	9.0	15	2020	2542	0.7
BEVERAGE	5 Door	DA091	9.4	15	2525	3157	0.9
DELI	4'	DA091	8.1	15	890	1182	0.3
DELI	6'	DA091	8.7	15	1335	1728	0.5
DELI	8'	DA091	8.7	15	1780	2275	0.7
DELI	12'	DA091	9.3	15	2670	3373	1.0
DELI	2 Door	DA091	8.2	15	1100	1440	0.4
DELI	3 Door	DA091	8.7	15	1650	2116	0.6
DELI	4 Door	DA091	9.0	15	2200	2793	0.8
DELI	5 Door	DA091	9.4	15	2750	3472	1.0
MEAT	4'	DA091	8.1	15	970	1294	0.4
MEAT	6'	DA091	8.7	15	1455	1897	0.5
MEAT	8'	DA091	8.7	15	1940	2502	0.7
MEAT	12'	DA091	9.3	15	2910	3715	1.1
MEAT	2 Door	DA091	8.2	15	1210	1592	0.5
MEAT	3 Door	DA091	8.7	15	1815	2346	0.7
MEAT	4 Door	DA091	9.0	15	2420	3101	0.9
MEAT	5 Door	DA091	9.4	15	3025	3859	1.1



ALL MEASUREMENTS ARE TAKEN PER ASHRAE-72-2005 SPECIFICATIONS. HILLPHOENIX REFRIGERATED DISPLAY CASES FOR SALE IN THE UNITED STATES MEET OR EXCEED DEPARTMENT OF ENERGY 2017 REQUIREMENTS.

VNRBQA

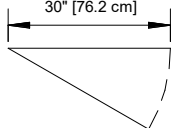
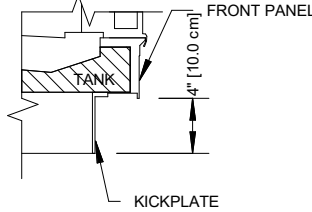
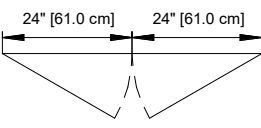
Rev. Date	Rev. #	Rev. Title
20-10-20	5	SOLOCHILL V5
7-13-20	4	DATA UPDATE

Hillphoenix
A DOVER COMPANY

VNRBQA

2, 3, 4, & 5 Door / 4', 6', 8' & 12' Narrow Reach-In Merchandiser
Beverage/Bakery/Dairy/Cut Produce/Deli/Meat/Seafood

SOLOCHILL
MICRO-DISTRIBUTED

DOOR OPTIONS	FRONT OPTIONS
<p>STANDARD SWING DOOR 2,3,4,5 - DOOR CASES</p> 	<p><u>FLAT FRONT (V SERIES)</u></p> 
<p>BI-SWING DOOR 4', 6', 8' & 12' CASES</p> 	

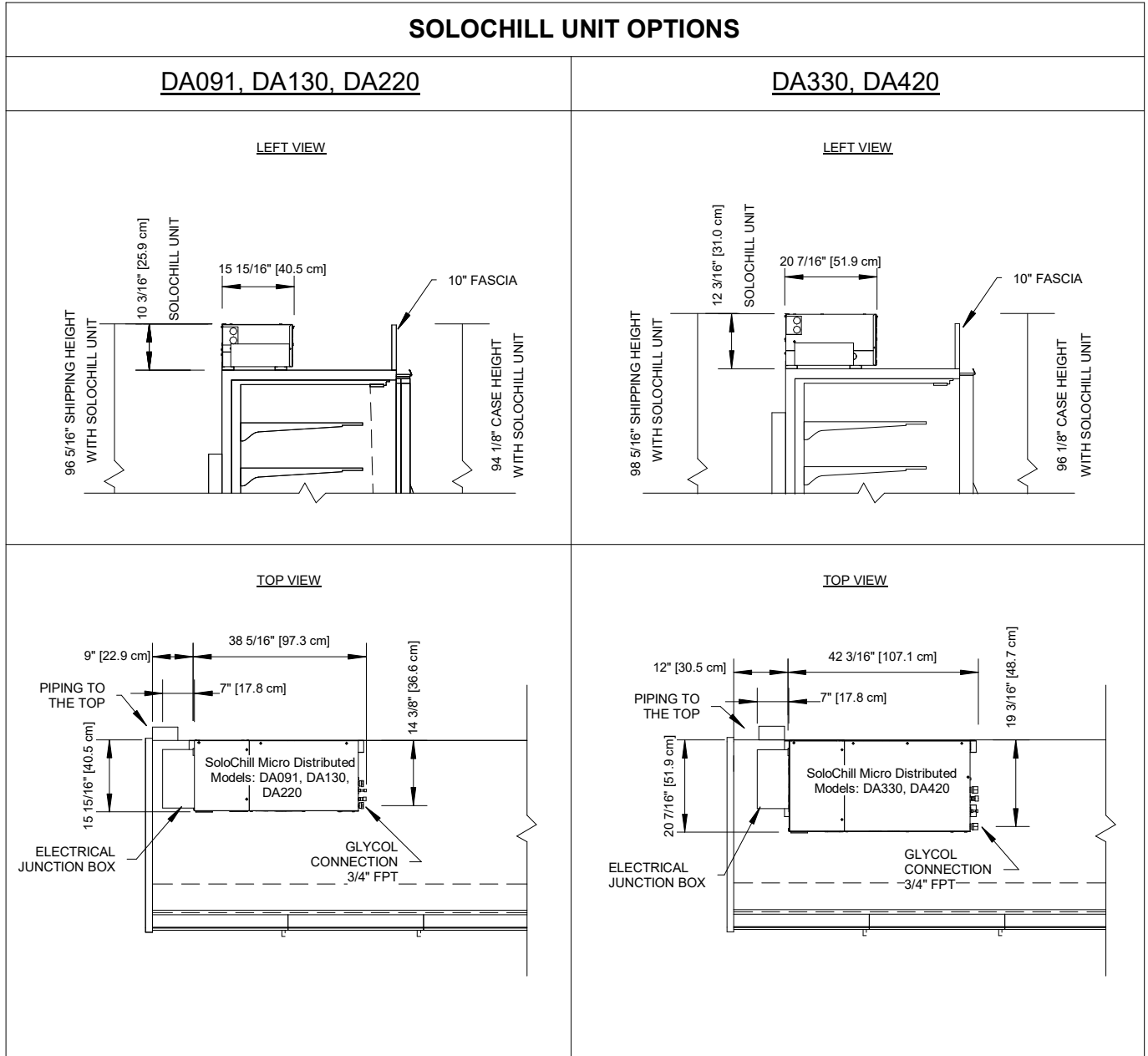


ALL MEASUREMENTS ARE TAKEN PER ASHRAE-72-2005 SPECIFICATIONS. HILLPHOENIX REFRIGERATED DISPLAY CASES FOR SALE IN THE UNITED STATES MEET OR EXCEED DEPARTMENT OF ENERGY 2017 REQUIREMENTS.

VNRBQA

Rev. Date	Rev. #	Rev. Title
20-10-20	5	SOLOCHILL V5
7-13-20	4	DATA UPDATE

Hillphoenix
A DOVER COMPANY



ALL MEASUREMENTS ARE TAKEN PER ASHRAE-72-2005 SPECIFICATIONS. HILLPHOENIX REFRIGERATED DISPLAY CASES FOR SALE IN THE UNITED STATES MEET OR EXCEED DEPARTMENT OF ENERGY 2017 REQUIREMENTS.

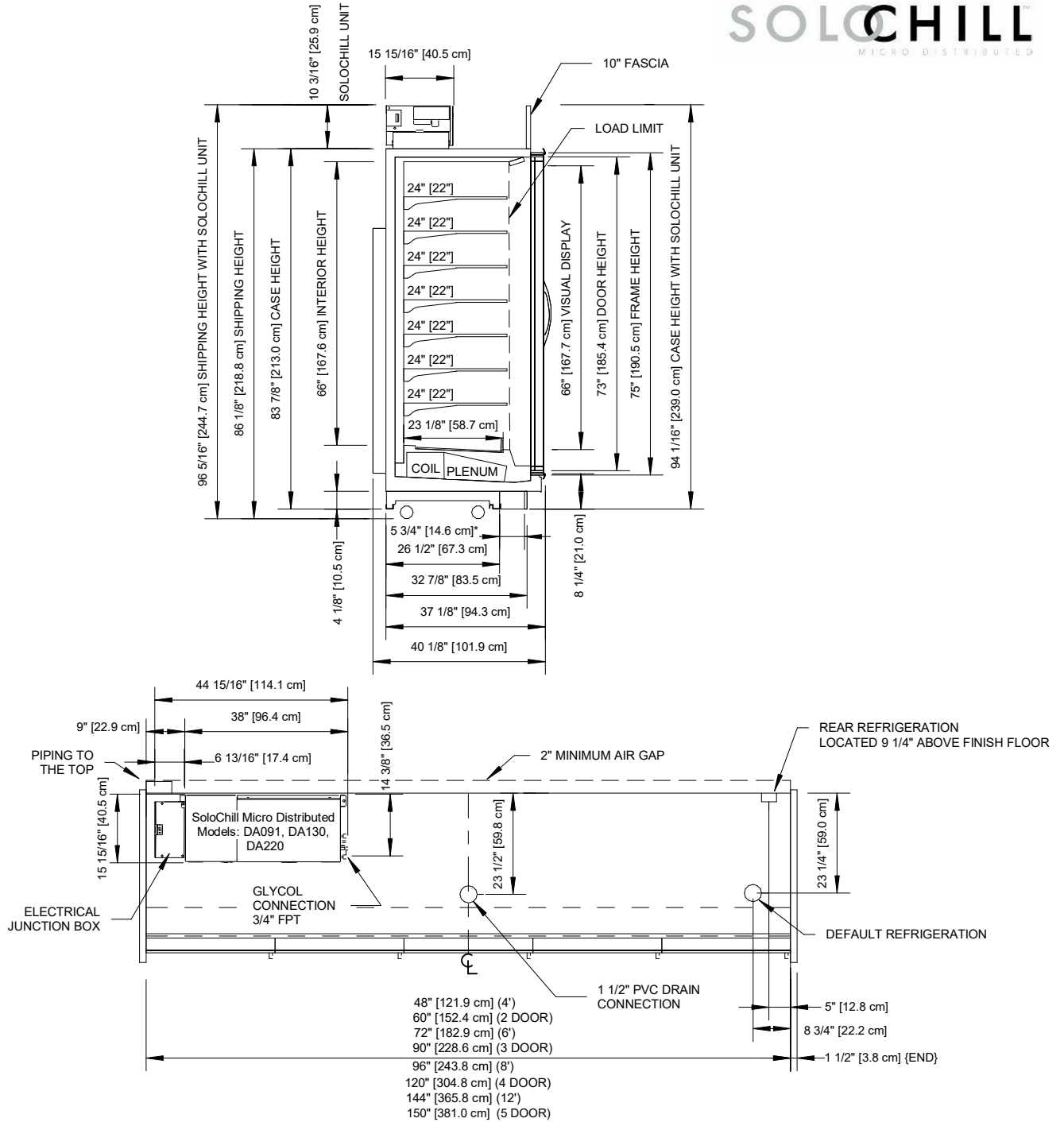
VNRBQA

Rev. Date	Rev. #	Rev. Title
20-10-20	5	SOLOCHILL V5
7-13-20	4	DATA UPDATE

VNRBQA

2, 3, 4, & 5 Door / 4', 6', 8' & 12' Narrow Reach-In Merchandiser Beverage/Bakery/Dairy/Cut Produce/Deli/Meat/Seafood

SOLOCHILL
MICRO-DISTRIBUTED



NOTES:

- * : STUB-UP AREA
- ** : RECOMMENDED STUB-UP CENTERLINE FOR ELECTRICAL AND HUB DRAINS

• Ends add approximately 1" to case height, 1/2" to the back & 1" to the front.



ALL MEASUREMENTS ARE TAKEN PER ASHRAE-72-2005 SPECIFICATIONS. HILLPHOENIX REFRIGERATED DISPLAY CASES FOR SALE IN THE UNITED STATES MEET OR EXCEED DEPARTMENT OF ENERGY 2017 REQUIREMENTS.

VNRBQA

Rev. Date	Rev. #	Rev. Title
20-10-20	5	SOLOCHILL V5
7-13-20	4	DATA UPDATE

