

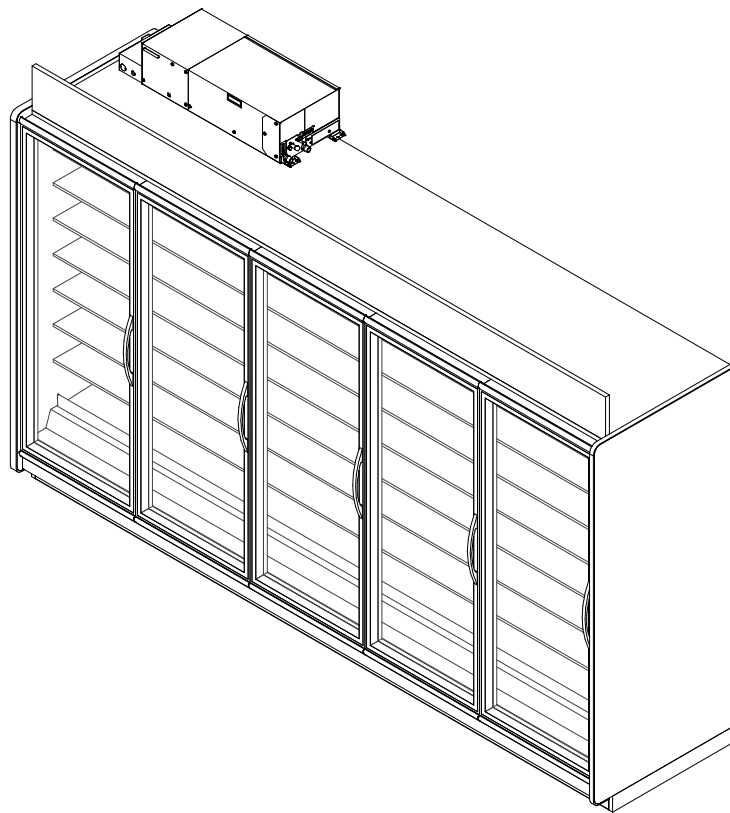
VNRZQA

1, 2, 3, 4, & 5 Door Narrow Reach-In Merchandiser
Frozen Food / Ice Cream

SOLOCHILL
MICRO-DISTRIBUTED

GENERAL NOTES:

- Light controls - occupancy sensors are required.
- Option 1: OEM Provided: OEM anti-condensate and lighting controls (on/off) are standard unless otherwise specified.
- Option 2: End User Provided: Light controls should be based on occupancy sensors. Store level A/S control should be set to 20% minimum off time at 75°F/55%RH



SHIPPING WEIGHT	
Case	Weight
VNRZQA	---



COMPONENT
ALL MEASUREMENTS ARE TAKEN PER ASHRAE-72-2005 SPECIFICATIONS. HILLPHOENIX REFRIGERATED DISPLAY CASES FOR SALE IN THE UNITED STATES MEET OR EXCEED DEPARTMENT OF ENERGY 2017 REQUIREMENTS.

VNRZQA

Rev. Date	Rev. #	Rev. Title
9-18-20	7	SOLOCHILL V5
7-13-20	6	DATA UPDATE

Hillphoenix
A DOVER COMPANY



ELECTRICAL DATA									
Case Length	Fans Per Case	High Efficiency Fans		Drain Heaters		Defrost Heaters			
		120 Volts		120 Volts		208 Volts		240 Volts	
		Amps	Watts	Amps	Watts	Amps	Watts	Amps	Watts
1 Door	1	0.40	26	0.90	113	3.27	680	3.78	906
2 Door	2	0.60	52	1.27	152	7.46	1552	8.62	2068
3 Door	3	1.00	78	1.43	171	10.93	2274	12.58	3018
4 Door	4	1.30	104	1.89	227	14.35	2984	16.63	3992
5 Door	5	1.60	130	2.29	275	17.50	3640	20.17	4840

LIGHTING DATA					
Case Length	Door Size	OP45		OP7 Single Swing	
		120 Volts		120 Volts	
		Amps	Watts	Amps	Watts
1 Door	31"	0.18	21.0	0.17	20.4
2 Door	30"	0.36	43.1	0.33	39.7
3 Door	30"	0.54	65.2	0.49	59.0
4 Door	30"	0.73	87.3	0.65	78.3
5 Door	30"	0.91	109.4	0.81	97.6

Data Notes:

- "----" indicates that this feature is not an option on this case model.
- Door / Frame A/S circuits and fans share the same circuit (same cycle). Default jumpers can be removed in field if separate circuits are desired for A/S and fans.
- Drain heater and fan motors share the same circuit (separate cycles). Electrical circuits must be properly sized to accommodate the higher current draw of the tank heater.
- Defrost heater 3-phase load is unbalanced.
- 3-phase defrost heater data listed represents the maximum amps per phase.
- Data listed is for Optimax Radiant. For other lighting options please contact your sales representative.
- Anti-condensate heat values for Low E represent a door with no heat on the glass.
- Listed discharge air velocity represents the average velocity at the peak of defrost.
- Defrost Run-off Time applies to Hot Gas Defrost only. Electric Defrost has a 0-minute run-off time.
- Temperature and defrost settings listed above are recommended start-up settings. Final operational settings may need to be adjusted for the store conditions in which the case operates.
- The recommended evaporator temperatures may need to be adjusted based on system setup, store conditions, etc. The minimum recommended evaporator temperature is 4°F below the listed evaporator temperature.
- Low energy doors (no heat on the glass) do not require anti-condensate or lighting controls. Frame A/S heat is cycled off during defrost cycles.
- Heated doors (heat on the glass) require anti-condensate and lighting controls. Frame A/S heat is cycled off during defrost cycles.
- Light and A/S wattages above reflect 100% run time. To determine actual daily energy usage at 75°F/55%RH conditions, reduce the light wattages above by 42% and reduce the A/S values above by the minimum off time.



ALL MEASUREMENTS ARE TAKEN PER ASHRAE-72-2005 SPECIFICATIONS. HILLPHOENIX REFRIGERATED DISPLAY CASES FOR SALE IN THE UNITED STATES MEET OR EXCEED DEPARTMENT OF ENERGY 2017 REQUIREMENTS.

VNRZQA

Rev. Date	Rev. #	Rev. Title
9-18-20	7	SOLOCHILL V5
7-13-20	6	DATA UPDATE



A DOVER COMPANY

ANTI CONDENSATE DATA											
Case Length	Door Size	Individual Circuits									
		I90 Doors				ELMD,ELMH Doors				Door Frame	
		Heated Doors		Low E Doors		Heated Doors		Low E Doors		101-LE	
		120 Volts		120 Volts		120 Volts		120 Volts		120 Volts	
		Amps	Watts	Amps	Watts	Amps	Watts	Amps	Watts	Amps	Watts
1 Door	31"	0.30	36	0.18	21	0.33	39	0.19	22	0.82	98
2 Door	30"	0.65	72	0.36	43	0.66	79	0.37	45	1.36	163
3 Door	30"	0.98	109	0.53	64	0.99	118	0.56	67	1.90	228
4 Door	30"	1.31	145	0.71	85	1.31	158	0.74	89	2.48	298
5 Door	30"	1.63	181	0.89	107	1.64	197	0.93	112	3.00	360

DEFROST CONTROLS			
Defrosts Per Day	Electric Defrost		
	Fail Safe (Min)	Termination Temp (°F)	Run Off Time
1	46	50	0



ALL MEASUREMENTS ARE TAKEN PER ASHRAE-72-2005 SPECIFICATIONS. HILLPHOENIX REFRIGERATED DISPLAY CASES FOR SALE IN THE UNITED STATES MEET OR EXCEED DEPARTMENT OF ENERGY 2017 REQUIREMENTS.

VNRZQA

Rev. Date	Rev. #	Rev. Title
9-18-20	7	SOLOCHILL V5
7-13-20	6	DATA UPDATE

VNRZQA

1, 2, 3, 4, & 5 Door Narrow Reach-In Merchandiser Frozen Food / Ice Cream



SOLOCHILL DATA			@95° Condensing Temperature		
Volts	Phase	Frequency	Wire		
208	1	60	3 Wire + Ground		
Application	Case Length	Evaporator Temp (°F)	Discharge Air (°F)	Discharge Air Velocity (FPM)	
FROZEN	1 Door	-7	-1	455	
FROZEN	2 Door	-7	-1	455	
FROZEN	3 Door	-7	-1	455	
FROZEN	4 Door	-7	-1	455	
FROZEN	5 Door	-7	-1	455	
ICE CREAM	1 Door	-15	-8	455	
ICE CREAM	2 Door	-15	-8	455	
ICE CREAM	3 Door	-15	-8	455	
ICE CREAM	4 Door	-15	-8	455	
ICE CREAM	5 Door	-15	-8	455	

Application	Case Length	R448A					
		Condensing Unit Model	MCA	MOP	Required Capacity	THR (BTUH)	Flow Rate
FROZEN	1 Door	Remote	---	---	---	---	---
FROZEN	2 Door	DA130	12.7	15	2182	3254	0.9
FROZEN	3 Door	DA220	19.9	20	3273	4724	1.4
FROZEN	4 Door	DA330	28.5	30	4364	6484	1.9
FROZEN	5 Door	DA420	39.6	40	5455	7916	2.3
ICE CREAM	1 Door	Remote	---	---	---	---	---
ICE CREAM	2 Door	DA130	12.7	15	2376	3742	1.1
ICE CREAM	3 Door	DA220	19.9	20	3564	5394	1.5
ICE CREAM	4 Door	DA330	28.5	30	4752	7459	2.1
ICE CREAM	5 Door	DA420	39.6	40	5940	9094	2.6



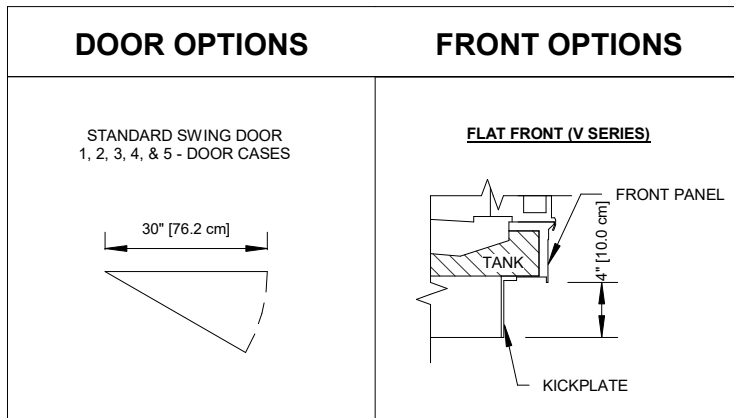
ALL MEASUREMENTS ARE TAKEN PER ASHRAE-72-2005 SPECIFICATIONS. HILLPHOENIX REFRIGERATED DISPLAY CASES FOR SALE IN THE UNITED STATES MEET OR EXCEED DEPARTMENT OF ENERGY 2017 REQUIREMENTS.

VNRZQA

Rev. Date	Rev. #	Rev. Title
9-18-20	7	SOLOCHILL V5
7-13-20	6	DATA UPDATE



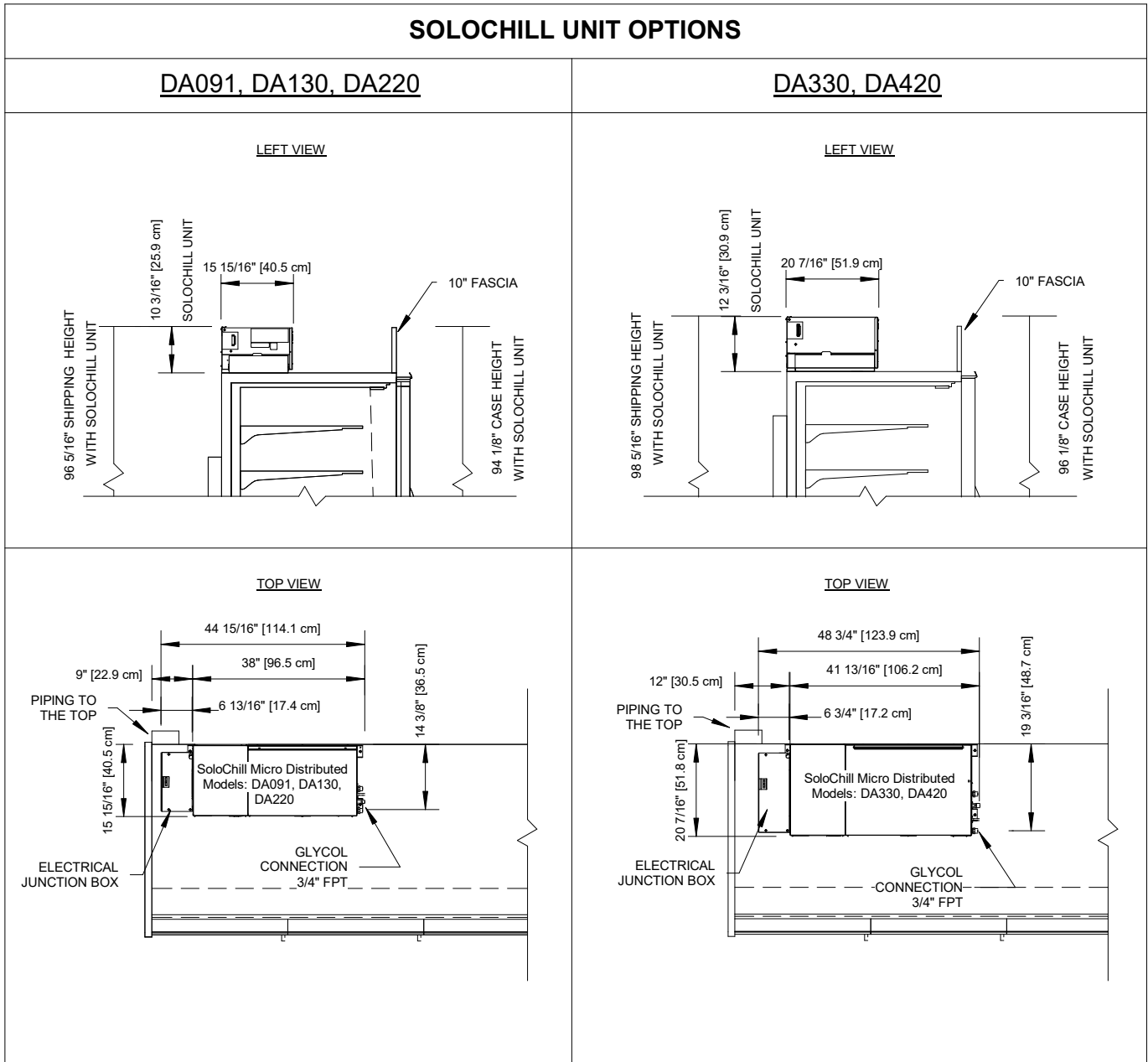
A DOVER COMPANY



ALL MEASUREMENTS ARE TAKEN PER ASHRAE-72-2005 SPECIFICATIONS. HILLPHOENIX REFRIGERATED DISPLAY CASES FOR SALE IN THE UNITED STATES MEET OR EXCEED DEPARTMENT OF ENERGY 2017 REQUIREMENTS.

VNRZQA

Rev. Date	Rev. #	Rev. Title
9-18-20	7	SOLOCHILL V5
7-13-20	6	DATA UPDATE



Notes:

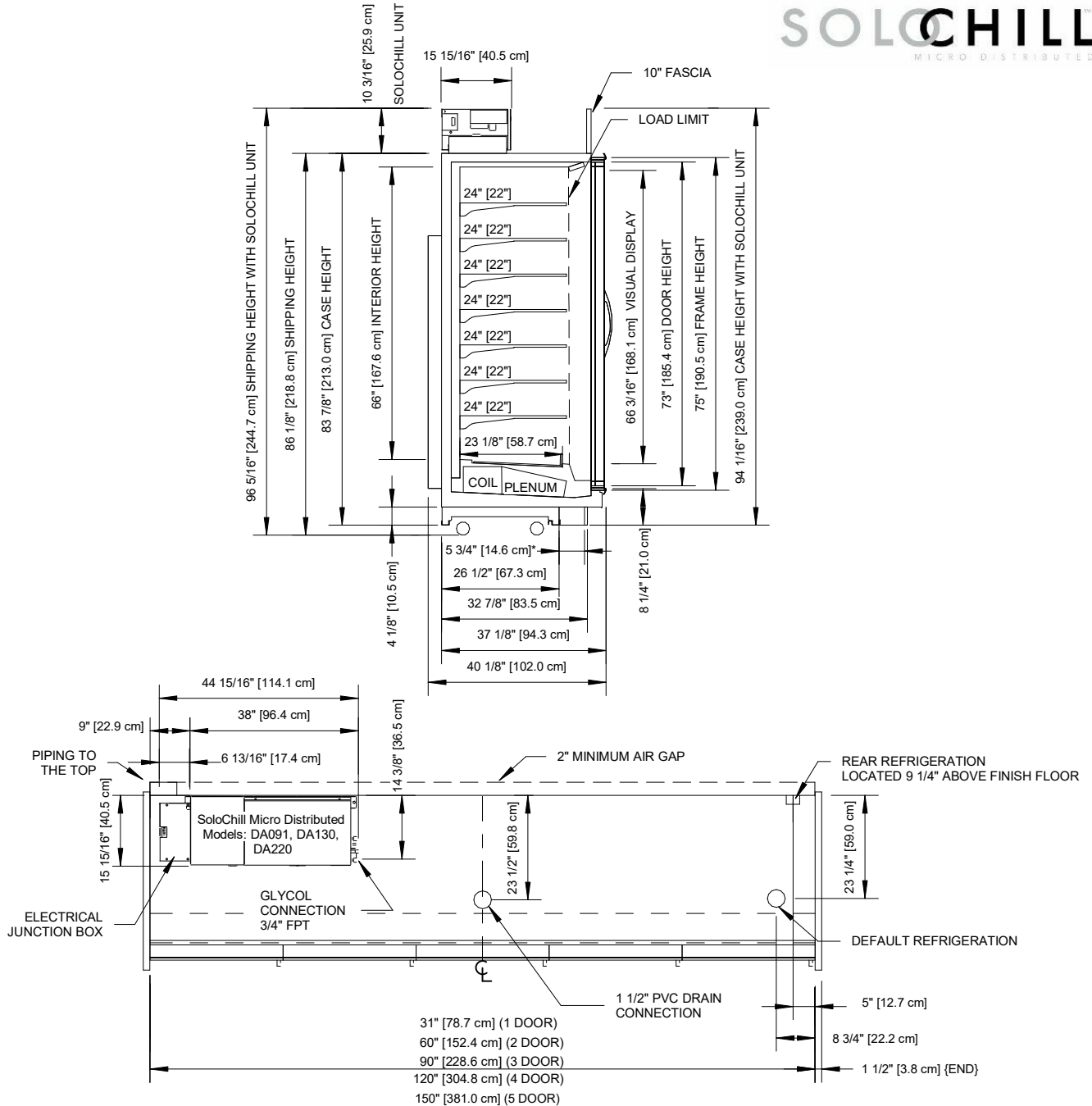
- SoloChill Units are not available on the 1 Door case length. This case length is remote mount due to the length of the SoloChill Units.



ALL MEASUREMENTS ARE TAKEN PER ASHRAE-72-2005 SPECIFICATIONS. HILLPHOENIX REFRIGERATED DISPLAY CASES FOR SALE IN THE UNITED STATES MEET OR EXCEED DEPARTMENT OF ENERGY 2017 REQUIREMENTS.

VNRZQA

Rev. Date	Rev. #	Rev. Title
9-18-20	7	SOLOCHILL V5
7-13-20	6	DATA UPDATE



Notes:

* : STUB-UP AREA.

** : RECOMMENDED STUB-UP CENTERLINE FOR ELECTRICAL AND HUB DRAINS .

- Ends add approximately 1" to case height, 1/2" to the back & 1" to the front.
- SoloChill Units are not available on the 1 Door case length. This case length is remote mount due to the length of the SoloChill Units.



ALL MEASUREMENTS ARE TAKEN PER ASHRAE-72-2005 SPECIFICATIONS. HILLPHOENIX REFRIGERATED DISPLAY CASES FOR SALE IN THE UNITED STATES MEET OR EXCEED DEPARTMENT OF ENERGY 2017 REQUIREMENTS.

VNRZQA

Rev. Date	Rev. #	Rev. Title
9-18-20	7	SOLOCHILL V5
7-13-20	6	DATA UPDATE