

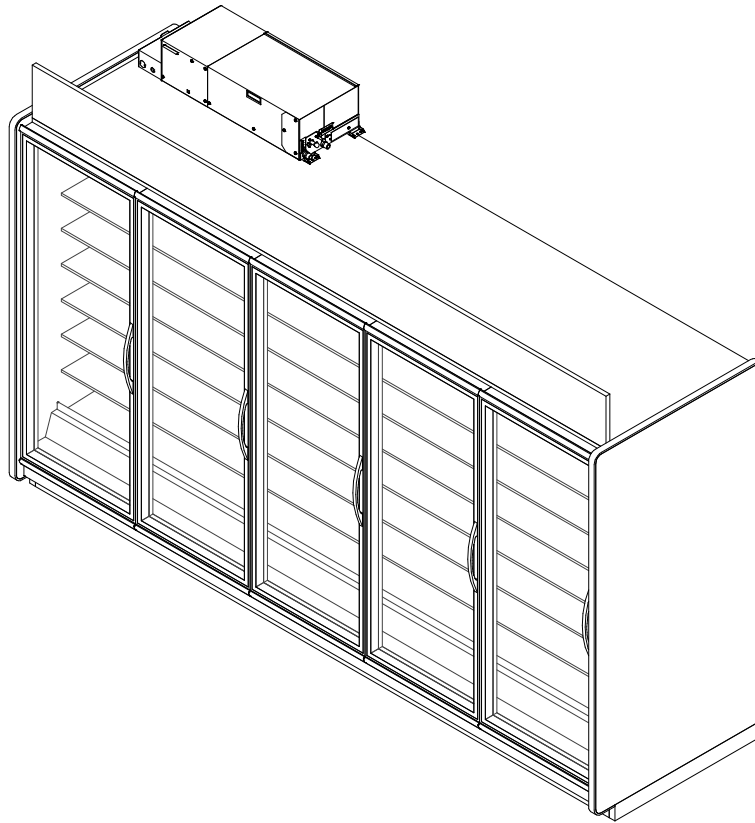
# VRBQA

2, 3, 4, & 5 Door / 4', 6', 8', & 12' Reach-In Merchandiser  
Beverage / Dairy / Deli / Meat / Produce

**SOLOCHILL**  
MICRO-DISTRIBUTED

**GENERAL NOTES:**

- 4-foot case Bi-Swing consist of 2 (24") doors
- 6-foot case Bi-Swing consist of 3 (24") doors.
- 8-foot case Bi-swing consist of 4 (24") doors.
- 12-foot cases Bi-swing consist of 6 (24") doors.
- Door frames are heated. Doors are not heated.
- Lighting controls - occupancy sensors are required.
- Option 1: OEM Provided: Lighting controls (on/off) are standard unless otherwise specified.
- Option 2: End User Provided: Lighting controls should be based on occupancy sensors. Store level A/S control should be set to 20% minimum off time at 75°F/55%RH.



SHIPPING WEIGHT	
Case	Weight
VRBQA	---



ALL MEASUREMENTS ARE TAKEN PER ASHRAE-72-2005 SPECIFICATIONS. HILLPHOENIX REFRIGERATED DISPLAY CASES FOR SALE IN THE UNITED STATES MEET OR EXCEED DEPARTMENT OF ENERGY 2017 REQUIREMENTS.

**VRBQA**

Rev. Date	Rev. #	Rev. Title
20-10-20	5	SOLOCHILL V5
7-13-20	4	DATA UPDATE

**Hillphoenix**  
A DOVER COMPANY

# VRBQA

2, 3, 4, & 5 Door / 4', 6', 8', & 12' Reach-In Merchandiser  
Beverage / Dairy / Deli / Meat / Produce



ELECTRICAL DATA			
Case Length	Fans Per Case	High Efficiency Fans	
		120 Volts	
		Amps	Watts
2 Door	1	0.22	26
3 Door	2	0.43	52
4 Door	2	0.43	52
5 Door	3	0.65	78
4'	1	0.22	26
6'	2	0.43	52
8'	2	0.43	52
12'	3	0.65	78

LIGHTING DATA									
Case Length	Door Size	OP45		OP55 (French Swing Only)		OP7 Single Swing		OP7 French Swing	
		120 Volts		120 Volts		120 Volts		120 Volts	
		Amps	Watts	Amps	Watts	Amps	Watts	Amps	Watts
2 Door	30"	0.36	43.1	---	---	0.33	39.7	---	---
3 Door	30"	0.54	65.2	---	---	0.49	59.0	---	---
4 Door	30"	0.73	87.3	---	---	0.65	78.3	---	---
5 Door	30"	0.91	109.4	---	---	0.81	97.6	---	---
4'	24"	---	---	0.26	31.0	---	---	0.27	32.6
6'	24"	---	---	0.52	61.9	---	---	0.52	62.0
8'	24"	---	---	0.52	61.9	---	---	0.52	62.0
12'	24"	---	---	0.77	92.8	---	---	0.76	91.4

ANTI CONDENSATE DATA					
Case Length	Door Size	101 Frames		Vista Frames	
		Un Heated Doors		Un Heated Doors	
		ELMD, ELMH, I90		Vista C, I60	
		120 Volts		120 Volts	
		Amps	Watts	Amps	Watts
2 Door	30"	0.22	43	0.36	43
3 Door	30"	0.43	68	0.57	68
4 Door	30"	0.43	95	0.79	95
5 Door	30"	0.65	118	0.98	118
4'	24"	0.19	23	0.19	23
6'	24"	0.40	48	0.40	48
8'	24"	0.44	53	0.44	53
12'	24"	0.70	84	0.70	84



ALL MEASUREMENTS ARE TAKEN PER ASHRAE-72-2005 SPECIFICATIONS. HILLPHOENIX REFRIGERATED DISPLAY CASES FOR SALE IN THE UNITED STATES MEET OR EXCEED DEPARTMENT OF ENERGY 2017 REQUIREMENTS.

## VRBQA

Rev. Date	Rev. #	Rev. Title
20-10-20	5	SOLOCHILL V5
7-13-20	4	DATA UPDATE



A DOVER COMPANY

# VRBQA

2, 3, 4, & 5 Door / 4', 6', 8', & 12' Reach-In Merchandiser  
Beverage / Dairy / Deli / Meat / Produce

**SOLOCHILL**  
MICRO-DISTRIBUTED

DEFROST CONTROLS		
Defrosts Per Day	Timed-Off Defrost	
	Fail-Safe (Min)	Termination Temp (F)
2	30	38

### Data Notes:

- "---" indicates that this feature is not an option on this case model.
- Listed discharge air velocity represents the average velocity at the peak of defrost.
- Temperature and defrost settings listed above are recommended start-up settings. Final operational settings may need to be adjusted for the store conditions in which the case operates.
- The recommended evaporator temperatures may need to be adjusted based on system setup, store conditions, etc. The minimum recommended evaporator temperature is 4°F below the listed evaporator temperature.
- Light wattages above reflect 100% run time. To determine actual daily energy usage at 75°F/55%RH conditions, reduce the light wattages above by 42%.



ALL MEASUREMENTS ARE TAKEN PER ASHRAE-72-2005 SPECIFICATIONS. HILLPHOENIX REFRIGERATED DISPLAY CASES FOR SALE IN THE UNITED STATES MEET OR EXCEED DEPARTMENT OF ENERGY 2017 REQUIREMENTS.

### VRBQA

Rev. Date	Rev. #	Rev. Title
20-10-20	5	SOLOCHILL V5
7-13-20	4	DATA UPDATE

**Hillphoenix**  
A DOVER COMPANY

# VRBQA

2, 3, 4, & 5 Door / 4', 6', 8', & 12' Reach-In Merchandiser  
Beverage / Dairy / Deli / Meat / Produce



SOLOCHILL DATA			@95° Condensing Temperature		
Volts	Phase	Frequency	Wire		
208	1	60	3 Wire + Ground		
Application	Case Length	Evaporator Temp (°F)	Discharge Air (°F)	Discharge Air Velocity (FPM)	
Beverage/Produce	4'	34	39	235	
Beverage/Produce	6'	34	39	235	
Beverage/Produce	8'	34	39	235	
Beverage/Produce	12'	34	39	235	
Beverage/Produce	2 Door	34	39	235	
Beverage/Produce	3 Door	34	39	235	
Beverage/Produce	4 Door	34	39	235	
Beverage/Produce	5 Door	34	39	235	
Deli/Dairy/Cut Produce	4'	31	35	235	
Deli/Dairy/Cut Produce	6'	31	35	235	
Deli/Dairy/Cut Produce	8'	31	35	235	
Deli/Dairy/Cut Produce	12'	31	35	235	
Deli/Dairy/Cut Produce	2 Door	31	35	235	
Deli/Dairy/Cut Produce	3 Door	31	35	235	
Deli/Dairy/Cut Produce	4 Door	31	35	235	
Deli/Dairy/Cut Produce	5 Door	31	35	235	
Meat	4'	28	33	235	
Meat	6'	28	33	235	
Meat	8'	28	33	235	
Meat	12'	28	33	235	
Meat	2 Door	28	33	235	
Meat	3 Door	28	33	235	
Meat	4 Door	28	33	235	
Meat	5 Door	28	33	235	



ALL MEASUREMENTS ARE TAKEN PER ASHRAE-72-2005 SPECIFICATIONS. HILLPHOENIX REFRIGERATED DISPLAY CASES FOR SALE IN THE UNITED STATES MEET OR EXCEED DEPARTMENT OF ENERGY 2017 REQUIREMENTS.

## VRBQA

Rev. Date	Rev. #	Rev. Title
20-10-20	5	SOLOCHILL V5
7-13-20	4	DATA UPDATE



A DOVER COMPANY

# VRBQA

2, 3, 4, & 5 Door / 4', 6', 8', & 12' Reach-In Merchandiser  
Beverage / Dairy / Deli / Meat / Produce

**SOLOCHILL**  
MICRO-DISTRIBUTED

Application	Case Length	R448A					
		Condensing Unit Model	MCA	MOP	Required Capacity	THR (BTUH)	Flow Rate
Beverage/Produce	4'	DA091	8.1	15	890	1170	0.3
Beverage/Produce	6'	DA091	8.7	15	1335	1709	0.5
Beverage/Produce	8'	DA091	8.7	15	1780	2250	0.6
Beverage/Produce	12'	DA091	9.3	15	2670	3334	1.0
Beverage/Produce	2 Door	DA091	8.2	15	1110	1436	0.4
Beverage/Produce	3 Door	DA091	8.7	15	1665	2110	0.6
Beverage/Produce	4 Door	DA091	9.0	15	2220	2786	0.8
Beverage/Produce	5 Door	DA091	9.5	15	2775	3462	1.0
Deli/Dairy/Cut Produce	4'	DA091	8.1	15	970	1280	0.4
Deli/Dairy/Cut Produce	6'	DA091	8.7	15	1455	1876	0.5
Deli/Dairy/Cut Produce	8'	DA091	8.7	15	1940	2473	0.7
Deli/Dairy/Cut Produce	12'	DA091	9.3	15	2910	3670	1.1
Deli/Dairy/Cut Produce	2 Door	DA091	8.2	15	1210	1575	0.5
Deli/Dairy/Cut Produce	3 Door	DA091	8.7	15	1815	2319	0.7
Deli/Dairy/Cut Produce	4 Door	DA091	9.0	15	2420	3064	0.9
Deli/Dairy/Cut Produce	5 Door	DA091	9.5	15	3025	3812	1.1
Meat	4'	DA091	8.1	15	1060	1406	0.4
Meat	6'	DA091	8.7	15	1590	2065	0.6
Meat	8'	DA091	8.7	15	2120	2726	0.8
Meat	12'	DA091	9.3	15	3180	4054	1.2
Meat	2 Door	DA091	8.2	15	1330	1742	0.5
Meat	3 Door	DA091	8.7	15	1995	2570	0.7
Meat	4 Door	DA091	9.0	15	2660	3402	1.0
Meat	5 Door	DA091	9.5	15	3325	4236	1.2



ALL MEASUREMENTS ARE TAKEN PER ASHRAE-72-2005 SPECIFICATIONS. HILLPHOENIX REFRIGERATED DISPLAY CASES FOR SALE IN THE UNITED STATES MEET OR EXCEED DEPARTMENT OF ENERGY 2017 REQUIREMENTS.

## VRBQA

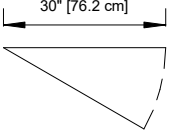
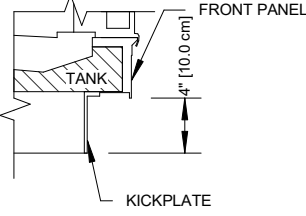
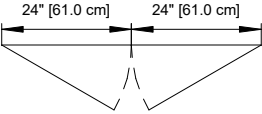
Rev. Date	Rev. #	Rev. Title
20-10-20	5	SOLOCHILL V5
7-13-20	4	DATA UPDATE

**Hillphoenix**  
A DOVER COMPANY

# VRBQA

2, 3, 4, & 5 Door / 4', 6', 8', & 12' Reach-In Merchandiser  
Beverage / Dairy / Deli / Meat / Produce

**SOLOCHILL**  
MICRO-DISTRIBUTED

DOOR OPTIONS	FRONT OPTIONS
<p>STANDARD SWING DOOR 2, 3, 4 &amp; 5 - DOOR CASES</p> 	<p><u>FLAT FRONT (V SERIES)</u></p> 
<p>BI-SWING DOOR 4', 6', 8' &amp; 12' CASES</p> 	



ALL MEASUREMENTS ARE TAKEN PER ASHRAE-72-2005 SPECIFICATIONS. HILLPHOENIX REFRIGERATED DISPLAY CASES FOR SALE IN THE UNITED STATES MEET OR EXCEED DEPARTMENT OF ENERGY 2017 REQUIREMENTS.

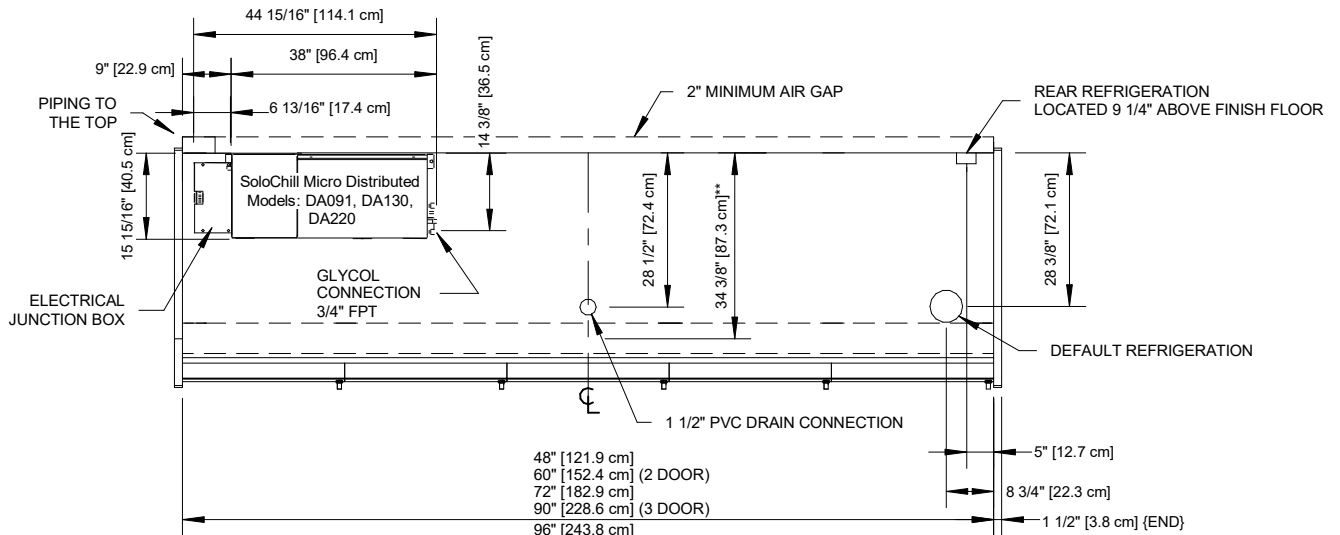
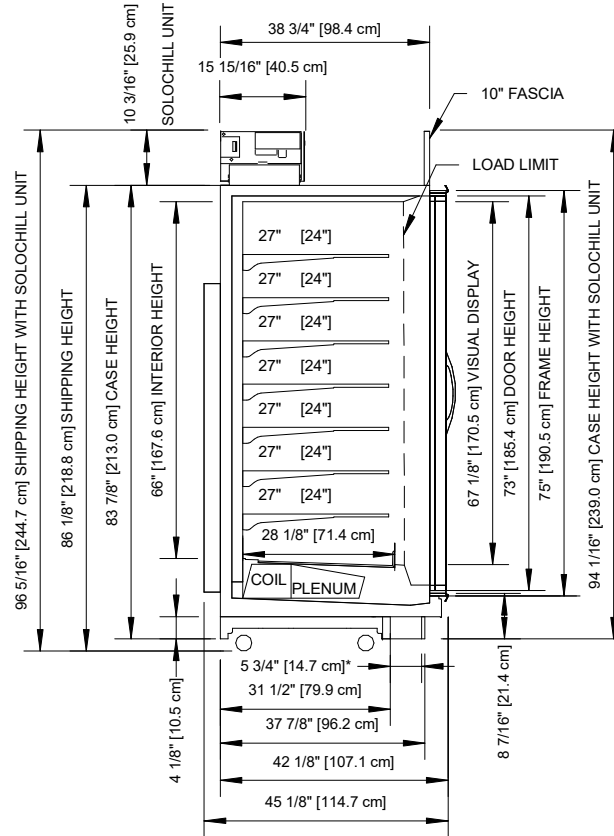
## VRBQA

Rev. Date	Rev. #	Rev. Title
20-10-20	5	SOLOCHILL V5
7-13-20	4	DATA UPDATE

**Hillphoenix**  
A DOVER COMPANY

# VRBQA

2, 3, 4, & 5 Door / 4', 6', 8', & 12' Reach-In Merchandiser  
Beverage / Dairy / Deli / Meat / Produce



**Notes:**

- \* : STUB-UP AREA
- \*\* : RECOMMENDED STUB-UP CENTERLINE FOR ELECTRICAL AND HUB DRAINS

• Ends add approximately 1" to case height, 1/2" to the back & 1" to the front



ALL MEASUREMENTS ARE TAKEN PER ASHRAE-72-2005 SPECIFICATIONS. HILLPHOENIX REFRIGERATED DISPLAY CASES FOR SALE IN THE UNITED STATES MEET OR EXCEED DEPARTMENT OF ENERGY 2017 REQUIREMENTS.

## VRBQA

Rev. Date	Rev. #	Rev. Title
20-10-20	5	SOLOCHILL V5
7-13-20	4	DATA UPDATE

