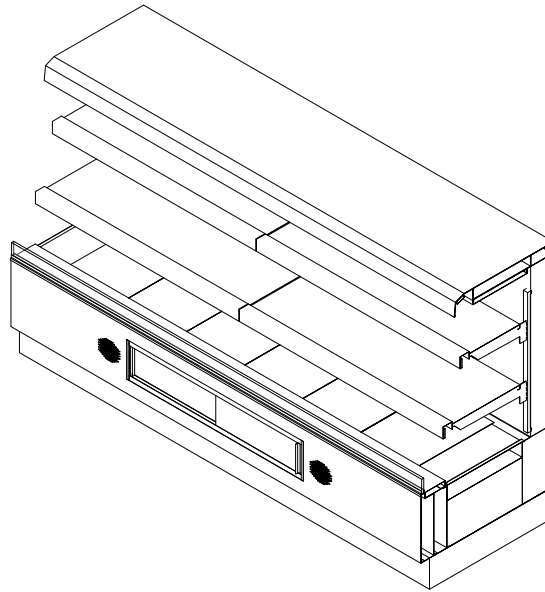


GENERAL NOTES:

- "---" Indicates that the feature is not an option on this case model and/or the data is not yet available at this time.



SHIPPING WEIGHT	
Case	Weight
PF-5-H-IC-i2i	---



ENGINEERED FOR STORES WITH AMBIENT CONDITIONS NOT TO EXCEED 75° AND 55% RELATIVE HUMIDITY. DUE TO ENGINEERING IMPROVEMENTS SPECIFICATIONS MAY CHANGE WITHOUT NOTICE. ALL MEASUREMENTS ARE TAKEN PER ASHRAE-72 SPECIFICATIONS. NUMBERS ARE BASED ON STANDARD CASE SIZES. CONSULT ENGINEERING.

PF-5-H-IC-i2i

Rev. Date	Rev. #	Rev. Title
03-15-22	3	DATA UPDATE
01-18-22	2	DATA UPDATE



PF-5-H-IC-i2i

SELF-SERVICE DATA													
Case Length	Top Heaters		Bottom Heaters		Lights		Shelves (Per Shelf)				Total Amps (208 3 60)		
	Qty	Watts (Each)	Qty	Watts (Each)	Qty	Watts (Each)	First Shelf		Second Shelf		L1	L2	L3
							Qty	Watts (Each)	Qty	Watts (Each)			
4'	2	220	3	400	---	---	1	590	1	815	10.73	9.38	10.19
6'	2	330	5	400	---	---	2	420	2	600	16.84	14.37	15.43
8'	4	220	6	400	---	---	2	590	2	815	21.44	20.28	18.84

ELECTRICAL DATA			
Case Length	Fans Per Case	Control Fans	
		208 Volts	
		Amps	Watts
4'	1	0.06	14
6'	1	0.06	14
8'	2	0.12	28

LIGHTING DATA				
Case Length	Lights Per Row	Light Length	Fluorescent Lighting (Lights Per Row)	
			Amps	Watts
4'	1	3'	0.13	27.1
6'	2	2'	0.20	41.6
8'	2	3'	0.26	54.1

NOTES:

- "----" Indicates that the feature is not an option on this case model and/or the data is not yet available at this time.

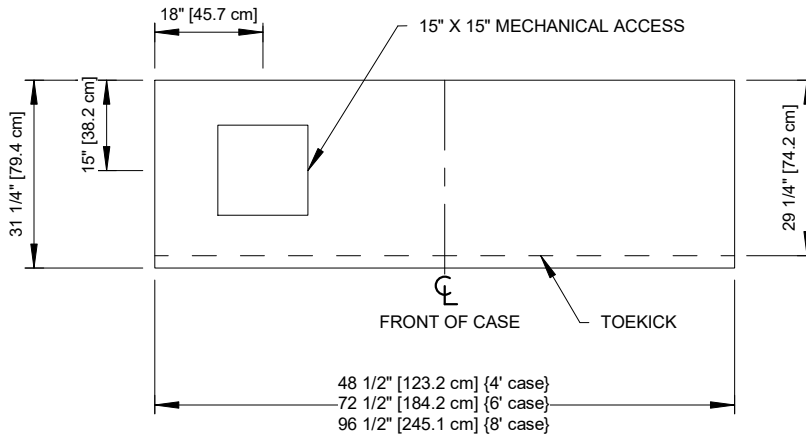
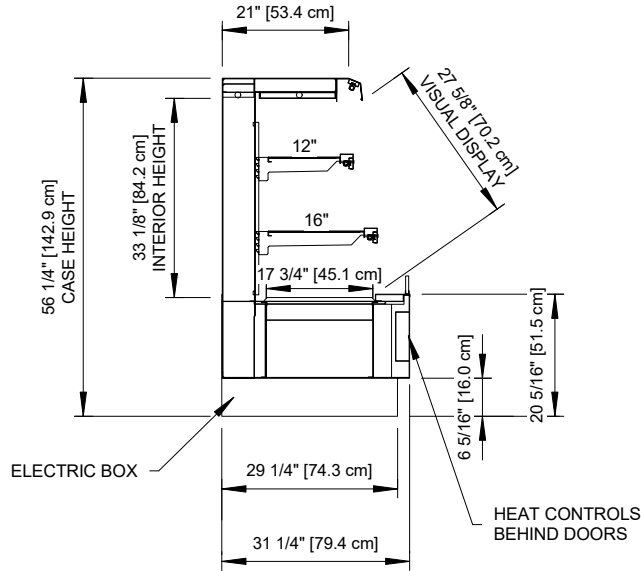


ENGINEERED FOR STORES WITH AMBIENT CONDITIONS NOT TO EXCEED 75° AND 55% RELATIVE HUMIDITY. DUE TO ENGINEERING IMPROVEMENTS SPECIFICATIONS MAY CHANGE WITHOUT NOTICE. ALL MEASUREMENTS ARE TAKEN PER ASHRAE-72 SPECIFICATIONS. NUMBERS ARE BASED ON STANDARD CASE SIZES. CONSULT ENGINEERING.

PF-5-H-IC-i2i

Rev. Date	Rev. #	Rev. Title
03-15-22	3	DATA UPDATE
01-18-22	2	DATA UPDATE





ENGINEERED FOR STORES WITH AMBIENT CONDITIONS NOT TO EXCEED 75° AND 55% RELATIVE HUMIDITY. DUE TO ENGINEERING IMPROVEMENTS SPECIFICATIONS MAY CHANGE WITHOUT NOTICE. ALL MEASUREMENTS ARE TAKEN PER ASHRAE-72 SPECIFICATIONS. NUMBERS ARE BASED ON STANDARD CASE SIZES. CONSULT ENGINEERING.

PF-5-H-IC-i2i

Rev. Date	Rev. #	Rev. Title
03-15-22	3	DATA UPDATE
01-18-22	2	DATA UPDATE



Hillphoenix
a **DOVER** company