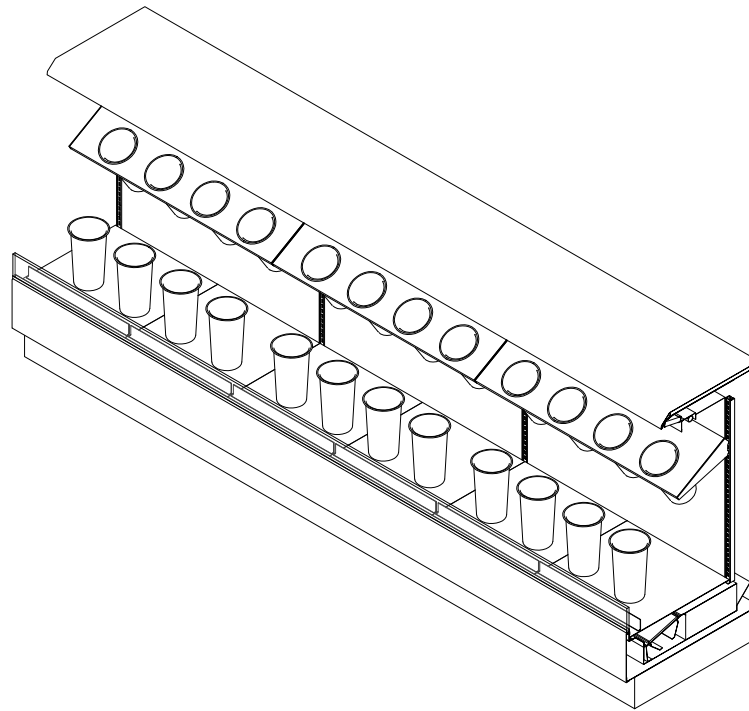


PF-5-R-FLOREAL-IC-i2i

Self-Service Open Island Center Merchandiser
4', 6', 8', 10' & 12' (Floral)

GENERAL NOTES:

- "---" Indicates that the feature is not an option on this case model and/or the data is not yet available at this time.



| SHIPPING WEIGHT | |
|-----------------------|--------|
| Case | Weight |
| PF-5-R-FLOREAL-IC-i2i | --- |

2017
DOE
COMPLIANT



ENGINEERED FOR STORES WITH AMBIENT CONDITIONS NOT TO EXCEED 75° AND 55% RELATIVE HUMIDITY. DUE TO ENGINEERING IMPROVEMENTS SPECIFICATIONS MAY CHANGE WITHOUT NOTICE. ALL MEASUREMENTS ARE TAKEN PER ASHRAE-72 SPECIFICATIONS. HILLPHOENIX REFRIGERATED DISPLAY CASES FOR SALE IN THE UNITED STATES MEET OR EXCEED DEPARTMENT OF ENERGY 2017 REQUIREMENTS. NUMBERS ARE BASED ON STANDARD CASE SIZES. CONSULT ENGINEERING.

PF-5-R-FLOREAL-IC-i2i

| Rev. Date | Rev. # | Rev. Title |
|-----------|--------|-------------|
| 03-10-22 | 3 | DATA UPDATE |
| 01-12-22 | 2 | DATA UPDATE |



| ELECTRICAL DATA | | | | | | | | | |
|-----------------|---------------|----------------------|-------|----------------------|-------|---------------|-------|--------------------------|-------|
| Case Length | Fans Per Case | High Efficiency Fans | | Anti-Condensate Fans | | Drain Heaters | | Optional Defrost Heaters | |
| | | 120 Volts | | 120 Volts | | 120 Volts | | 208 Volts | |
| | | Amps | Watts | Amps | Watts | Amps | Watts | Amps | Watts |
| 4' | 2 | 0.60 | 72 | --- | --- | --- | --- | --- | --- |
| 6' | 3 | 0.90 | 108 | --- | --- | --- | --- | --- | --- |
| 8' | 4 | 0.90 | 108 | --- | --- | --- | --- | --- | --- |
| 10' | 5 | 1.20 | 144 | --- | --- | --- | --- | --- | --- |
| 12' | 6 | 1.20 | 144 | --- | --- | --- | --- | --- | --- |

| LIGHTING DATA | | | | | | |
|---------------|----------------|--------------|--|-------|----------------------|-------|
| Case Length | Lights Per Row | Light Length | Clearvoyant 4 LED Lighting (Per Light Row) | | | |
| | | | Standard Power (Cornice) | | High Power (Cornice) | |
| | | | 120 Volts | | 120 Volts | |
| | | | Amps | Watts | Amps | Watts |
| 4' | 1 | 4' | 0.05 | 5.9 | 0.12 | 14.9 |
| 6' | 2 | 3' | 0.08 | 9.4 | 0.20 | 23.8 |
| 8' | 2 | 4' | 0.10 | 11.8 | 0.24 | 29.8 |
| 10' | 2 | 5' | 0.12 | 15.0 | 0.30 | 37.0 |
| 12' | 3 | 4' | 0.15 | 17.7 | 0.36 | 44.7 |

| GUIDELINES AND CONTROL SETTINGS {DIRECT EXPANSION HFC/CO2} | | | | | |
|--|----------|---------------------------------|-----------------|--------------------|------------------------------|
| BTUH/ft | | Superheat Set Point @ Bulb (°F) | Evaporator (°F) | Discharge Air (°F) | Discharge Air Velocity (FPM) |
| Conventional | Parallel | | | | |
| 910 | 841 | 10 - 14 | 24 | 28 | 80 - 100 |

| DEFROST CONTROLS {DIRECT EXPANSION HFC/CO2} | | | | | | | |
|---|--------------------|------------------|-----------------------|-------------------|-----------------------|-----------------|-----------------------|
| Defrosts Per Day | Run-Off Time (Min) | Electric Defrost | | Timed-Off Defrost | | Hot Gas Defrost | |
| | | Fail-Safe (Min) | Termination Temp (°F) | Fail-Safe (Min) | Termination Temp (°F) | Fail-Safe (Min) | Termination Temp (°F) |
| 6 | 30 | --- | --- | --- | 42 | --- | --- |

NOTES:

- "----" Indicates that the feature is not an option on this case model and/or the data is not yet available at this time.
- Discharge air temperature values represent readings taken within the upper air channel immediately behind/upstream of the honeycomb.



ENGINEERED FOR STORES WITH AMBIENT CONDITIONS NOT TO EXCEED 75° AND 55% RELATIVE HUMIDITY. DUE TO ENGINEERING IMPROVEMENTS SPECIFICATIONS MAY CHANGE WITHOUT NOTICE. ALL MEASUREMENTS ARE TAKEN PER ASHRAE-72 SPECIFICATIONS. HILLPHOENIX REFRIGERATED DISPLAY CASES FOR SALE IN THE UNITED STATES MEET OR EXCEED DEPARTMENT OF ENERGY 2017 REQUIREMENTS. NUMBERS ARE BASED ON STANDARD CASE SIZES. CONSULT ENGINEERING.

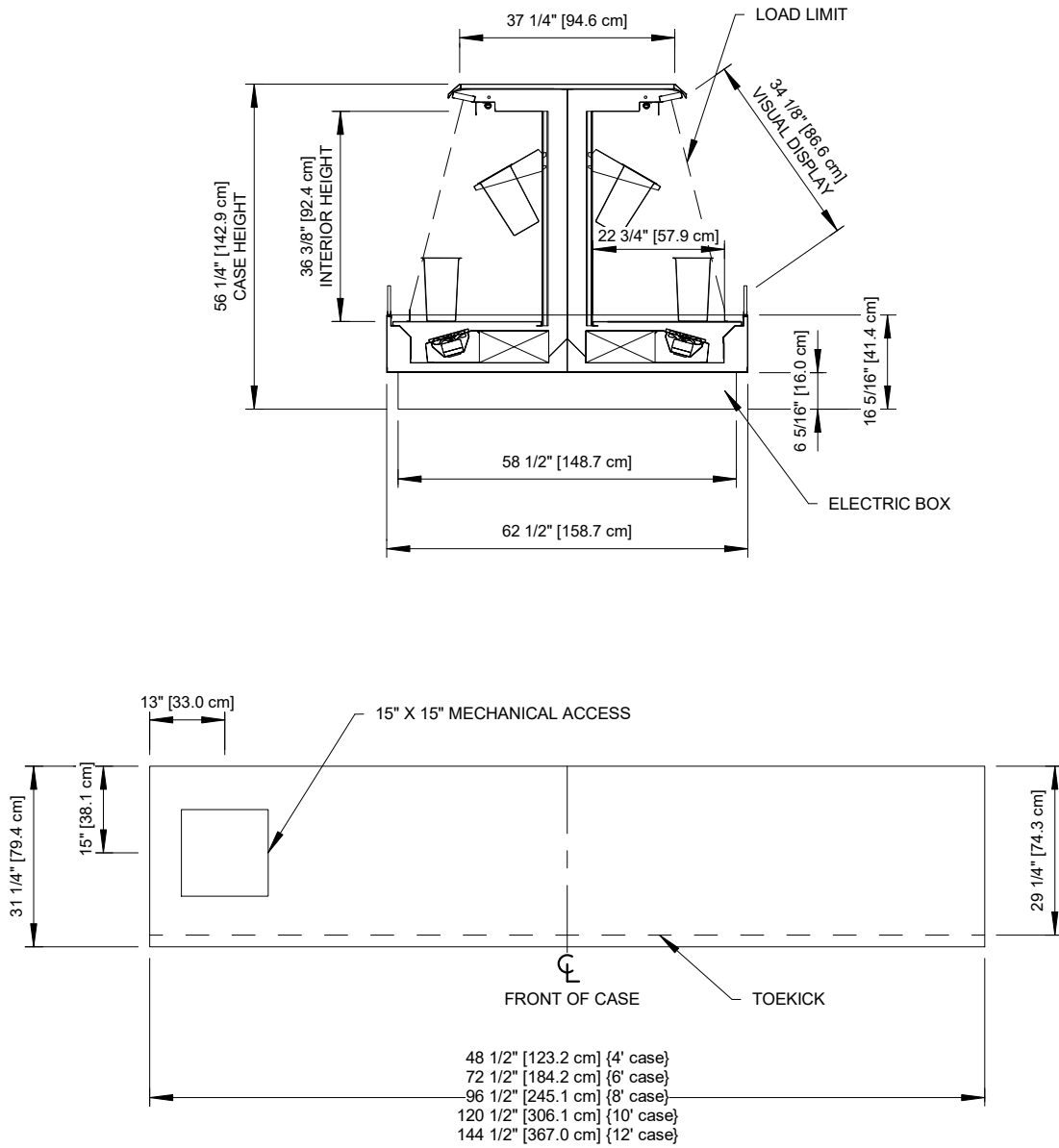
PF-5-R-FLOREAL-IC-i2i

| Rev. Date | Rev. # | Rev. Title |
|-----------|--------|-------------|
| 03-10-22 | 3 | DATA UPDATE |
| 01-12-22 | 2 | DATA UPDATE |



PF-5-R-FLOREAL-IC-i2i

Self-Service Open Island Center Merchandiser
4', 6', 8', 10' & 12' (Floral)



Intertek Intertek

ENGINEERED FOR STORES WITH AMBIENT CONDITIONS NOT TO EXCEED 75° AND 55% RELATIVE HUMIDITY. DUE TO ENGINEERING IMPROVEMENTS SPECIFICATIONS MAY CHANGE WITHOUT NOTICE. ALL MEASUREMENTS ARE TAKEN PER ASHRAE-72 SPECIFICATIONS. HILLPHOENIX REFRIGERATED DISPLAY CASES FOR SALE IN THE UNITED STATES MEET OR EXCEED DEPARTMENT OF ENERGY 2017 REQUIREMENTS. NUMBERS ARE BASED ON STANDARD CASE SIZES. CONSULT ENGINEERING.

PF-5-R-FLOREAL-IC-i2i

| Rev. Date | Rev. # | Rev. Title |
|-----------|--------|-------------|
| 03-10-22 | 3 | DATA UPDATE |
| 01-12-22 | 2 | DATA UPDATE |

