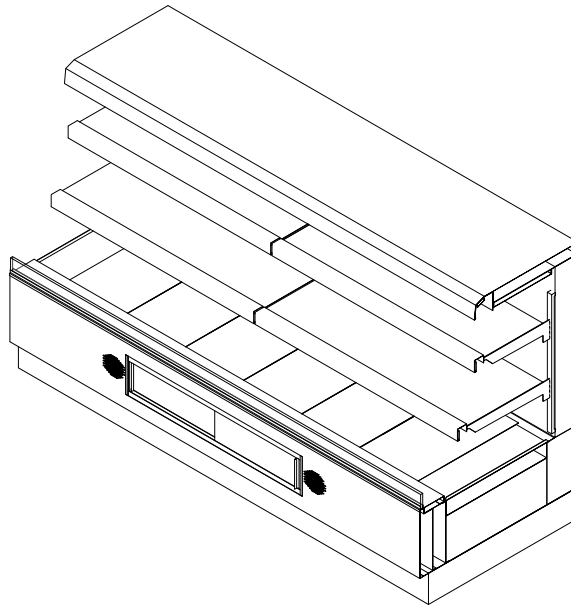


**GENERAL NOTES:**

- "---" Indicates that the feature is not an option on this case model and/or the data is not yet available at this time.



SHIPPING WEIGHT	
Case	Weight
PF-6-H-IC-i2i	---



ENGINEERED FOR STORES WITH AMBIENT CONDITIONS NOT TO EXCEED 75° AND 55% RELATIVE HUMIDITY. DUE TO ENGINEERING IMPROVEMENTS SPECIFICATIONS MAY CHANGE WITHOUT NOTICE. ALL MEASUREMENTS ARE TAKEN PER ASHRAE-72 SPECIFICATIONS. NUMBERS ARE BASED ON STANDARD CASE SIZES. CONSULT ENGINEERING.

**PF-6-H-IC-i2i**

Rev. Date	Rev. #	Rev. Title
02-16-22	1	NEW STANDARDS



# PF-6-H-IC-i2i

SELF-SERVICE DATA													
Case Length	Top Heaters		Bottom Heaters		Lights		Shelves (Per Shelf)				Total Amps (208-3-60)		
	Qty	Watts (Each)	Qty	Watts (Each)	Qty	Watts (Each)	First Shelf		Second Shelf		L1	L2	L3
							Qty	Watts (Each)	Qty	Watts (Each)			
4'	1	590	3	400	---	---	1	700	1	925	11.98	11.98	11.16
6'	2	433	5	400	---	---	2	515	2	680	17.17	18.72	16.05
8'	2	590	6	400	---	---	2	700	2	925	22.66	22.72	21.66

ELECTRICAL DATA			
Case Length	Fans Per Case	Control Fans	
		208 Volts	
		Amps	Watts
4'	1	.11	22.9
6'	1	.11	22.9
8'	2	.22	45.8

LIGHTING DATA				
Case Length	Lights Per Row	Light Length	Fluorescent Lighting (Per Light Row)	
			Amps	Watts
4'	1	3'	0.13	27.1
6'	2	2'	0.20	41.6
8'	2	3'	0.26	54.1

### NOTES:

- "----" Indicates that the feature is not an option on this case model and/or the data is not yet available at this time.

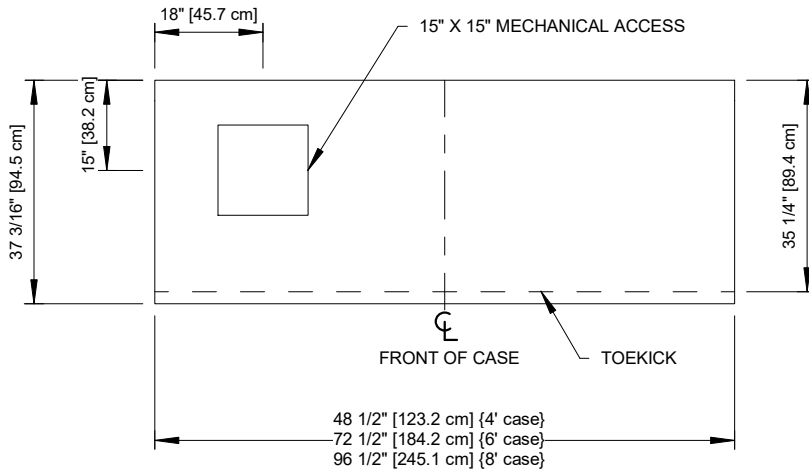
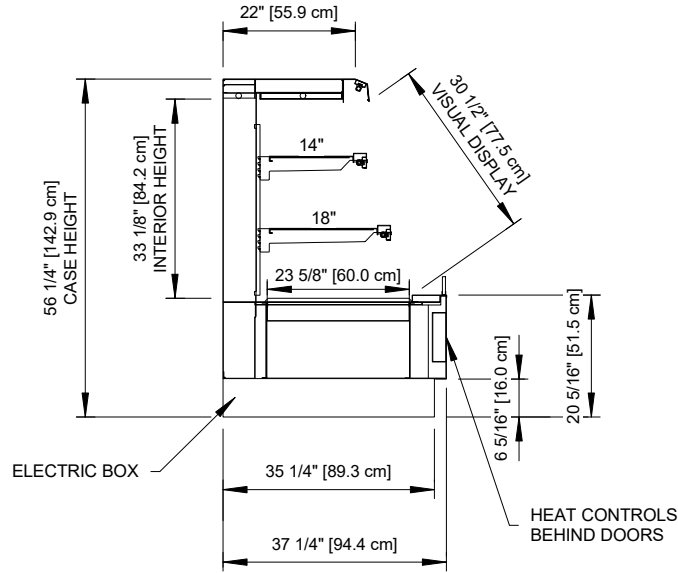


ENGINEERED FOR STORES WITH AMBIENT CONDITIONS NOT TO EXCEED 75° AND 55% RELATIVE HUMIDITY. DUE TO ENGINEERING IMPROVEMENTS SPECIFICATIONS MAY CHANGE WITHOUT NOTICE. ALL MEASUREMENTS ARE TAKEN PER ASHRAE-72 SPECIFICATIONS. NUMBERS ARE BASED ON STANDARD CASE SIZES. CONSULT ENGINEERING.

### PF-6-H-IC-i2i

Rev. Date	Rev. #	Rev. Title
02-16-22	1	NEW STANDARDS





ENGINEERED FOR STORES WITH AMBIENT CONDITIONS NOT TO EXCEED 75° AND 55% RELATIVE HUMIDITY. DUE TO ENGINEERING IMPROVEMENTS SPECIFICATIONS MAY CHANGE WITHOUT NOTICE. ALL MEASUREMENTS ARE TAKEN PER ASHRAE-72 SPECIFICATIONS. NUMBERS ARE BASED ON STANDARD CASE SIZES. CONSULT ENGINEERING.

## PF-6-H-IC-i2i

Rev. Date	Rev. #	Rev. Title
02-16-22	1	NEW STANDARDS



**Hillphoenix**  
a DOWER company