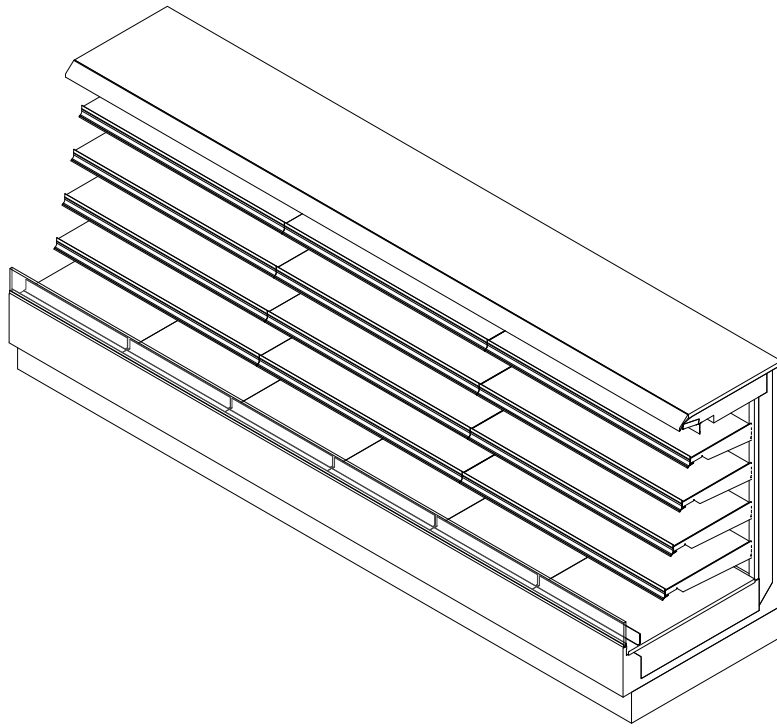


# PF-6-R-IC-i2i

Self-Service Open Multi-Deck Island Center Merchandiser  
4', 6', 8', 10' & 12' (Bakery/Beverage/Cheese/Deli)

**GENERAL NOTES:**

- "---" Indicates that the feature is not an option on this case model and/or the data is not yet available at this time.



SHIPPING WEIGHT	
Case	Weight
PF-6-R-IC i2i	---



ENGINEERED FOR STORES WITH AMBIENT CONDITIONS NOT TO EXCEED 75° AND 55% RELATIVE HUMIDITY. DUE TO ENGINEERING IMPROVEMENTS SPECIFICATIONS MAY CHANGE WITHOUT NOTICE. ALL MEASUREMENTS ARE TAKEN PER ASHRAE-72 SPECIFICATIONS. HILLPHOENIX REFRIGERATED DISPLAY CASES FOR SALE IN THE UNITED STATES MEET OR EXCEED DEPARTMENT OF ENERGY 2017 REQUIREMENTS. NUMBERS ARE BASED ON STANDARD CASE SIZES. CONSULT ENGINEERING.

**PF-6-R-IC-i2i**

Rev. Date	Rev. #	Rev. Title
03-10-22	3	DATA UPDATE
01-27-22	2	DATA UPDATE



# PF-6-R-IC-i2i

Self-Service Open Multi-Deck Island Merchandiser  
4', 6', 8', 10' & 12' (Bakery/Beverage/Cheese/Deli)

ELECTRICAL DATA									
Case Length	Fans Per Case	High Efficiency Fans		Anti-Condensate Fans		Drain Heaters		Optional Defrost Heaters	
		120 Volts		120 Volts		120 Volts		208 Volts	
		Amps	Watts	Amps	Watts	Amps	Watts	Amps	Watts
4'	2	0.60	72	---	---	---	---	---	---
6'	3	0.90	108	---	---	---	---	---	---
8'	3	0.90	108	---	---	---	---	---	---
10'	4	1.20	144	---	---	---	---	---	---
12'	4	1.20	144	---	---	---	---	---	---

LIGHTING DATA						
Case Length	Lights Per Row	Light Length	Clearvoyant 4 LED Lighting (Per Light Row)			
			Standard Power (Cornice or Shelf)		High Power (Cornice)	
			120 Volts		120 Volts	
			Amps	Watts	Amps	Watts
4'	1	4'	0.05	5.9	0.12	14.9
6'	2	3'	0.08	9.4	0.20	23.8
8'	2	4'	0.10	11.8	0.25	29.9
10'	2	5'	0.13	15.1	0.31	36.9
12'	3	4'	0.15	176	0.37	44.8

GUIDELINES AND CONTROL SETTINGS {DIRECT EXPANSION HFC/CO2}					
BTUH/ft		Superheat Set Point @ Bulb (°F)	Evaporator (°F)	Discharge Air (°F)	Discharge Air Velocity (FPM)
Conventional	Parallel				
1010	936	10 - 14	24	28	80 - 100

DEFROST CONTROLS {DIRECT EXPANSION HFC/CO2}							
Defrosts Per Day	Run-Off Time (Min)	Electric Defrost		Timed-Off Defrost		Hot Gas Defrost	
		Fail-Safe (Min)	Termination Temp (°F)	Fail-Safe (Min)	Termination Temp (°F)	Fail-Safe (Min)	Termination Temp (°F)
6	30	---	---	---	42	---	---

## NOTES:

- "----" Indicates that the feature is not an option on this case model and/or the data is not yet available at this time.
- Discharge air temperature values represent readings taken within the upper air channel immediately behind/upstream of the honeycomb.

2017  
DOE  
COMPLIANT



ENGINEERED FOR STORES WITH AMBIENT CONDITIONS NOT TO EXCEED 75° AND 55% RELATIVE HUMIDITY. DUE TO ENGINEERING IMPROVEMENTS SPECIFICATIONS MAY CHANGE WITHOUT NOTICE. ALL MEASUREMENTS ARE TAKEN PER ASHRAE-72 SPECIFICATIONS. HILLPHOENIX REFRIGERATED DISPLAY CASES FOR SALE IN THE UNITED STATES MEET OR EXCEED DEPARTMENT OF ENERGY 2017 REQUIREMENTS. NUMBERS ARE BASED ON STANDARD CASE SIZES. CONSULT ENGINEERING.

## PF-6-R-IC-i2i

Rev. Date	Rev. #	Rev. Title
03-10-22	3	DATA UPDATE
01-27-22	2	DATA UPDATE

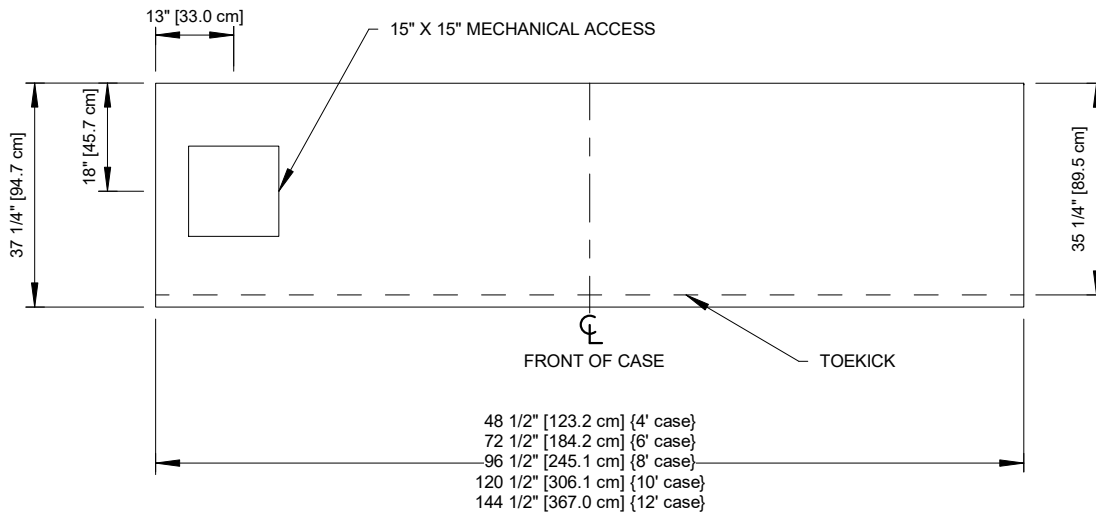
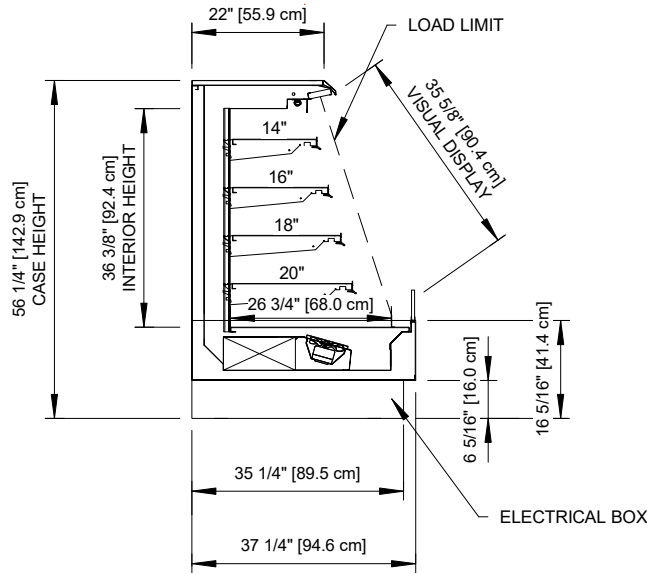


Clearvoyant  
LED SYSTEM

Hillphoenix  
a DOVER company

# PF-6-R-IC-i2i

Self-Service Open Multi-Deck Island Center Merchandiser  
4', 6', 8', 10' & 12' (Bakery/Beverage/Cheese/Deli)



Intertek Intertek

ENGINEERED FOR STORES WITH AMBIENT CONDITIONS NOT TO EXCEED 75° AND 55% RELATIVE HUMIDITY. DUE TO ENGINEERING IMPROVEMENTS SPECIFICATIONS MAY CHANGE WITHOUT NOTICE. ALL MEASUREMENTS ARE TAKEN PER ASHRAE-72 SPECIFICATIONS. HILLPHOENIX REFRIGERATED DISPLAY CASES FOR SALE IN THE UNITED STATES MEET OR EXCEED DEPARTMENT OF ENERGY 2017 REQUIREMENTS. NUMBERS ARE BASED ON STANDARD CASE SIZES. CONSULT ENGINEERING.

## PF-6-R-IC-i2i

Rev. Date	Rev. #	Rev. Title
03-10-22	3	DATA UPDATE
01-27-22	2	DATA UPDATE

