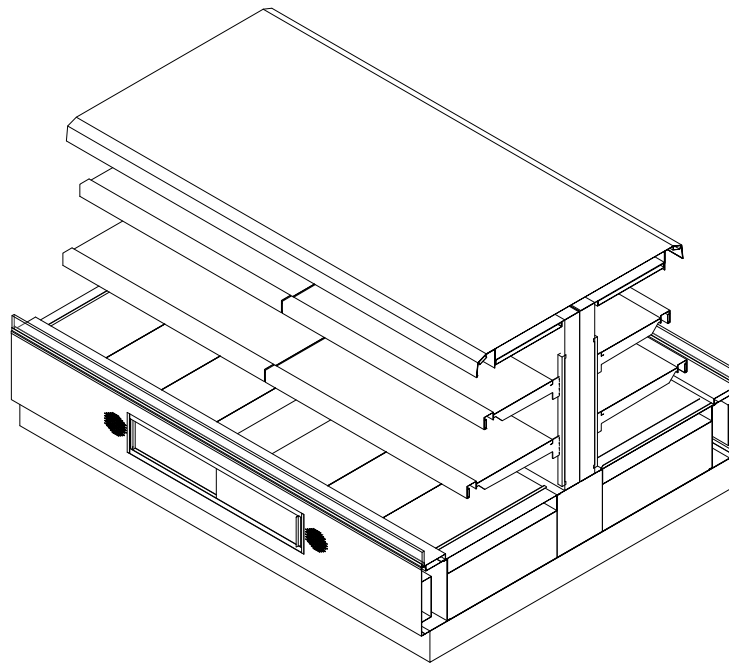


GENERAL NOTES:

- "---" Indicates that the feature is not an option on this case model and/or the data is not yet available at this time.



SHIPPING WEIGHT	
Case	Weight
PFI-6-H-IC-i2i	---



ENGINEERED FOR STORES WITH AMBIENT CONDITIONS NOT TO EXCEED 75° AND 55% RELATIVE HUMIDITY. DUE TO ENGINEERING IMPROVEMENTS SPECIFICATIONS MAY CHANGE WITHOUT NOTICE. ALL MEASUREMENTS ARE TAKEN PER ASHRAE-72 SPECIFICATIONS. NUMBERS ARE BASED ON STANDARD CASE SIZES. CONSULT ENGINEERING.

PFI-6-H-IC-i2i

Rev. Date	Rev. #	Rev. Title
02-16-22	1	NEW STANDARDS



PFI-6-H-IC-i2i

SELF-SERVICE DATA													
Case Length	Top Heaters		Bottom Heaters		Lights		Shelves (Per Shelf)				Total Amps (208-3-60)		
	Qty	Watts (Each)	Qty	Watts (Each)	Qty	Watts (Each)	First Shelf		Second Shelf		L1	L2	L3
							Qty	Watts (Each)	Qty	Watts (Each)			
4'	4	295	6	400	---	---	2	700	2	925	22.98	22.86	21.88
6'	4	433	10	400	---	---	4	515	4	680	34.07	32.46	32.01
8'	4	590	12	400	---	---	4	700	4	925	45.58	44.82	44.96

ELECTRICAL DATA			
Case Length	Fans Per Case	Control Fans	
		208 Volts	
		Amps	Watts
4'	2	.22	45.8
6'	2	.22	45.8
8'	4	.44	91.5

LIGHTING DATA				
Case Length	Lights Per Row	Light Length	Fluorescent Lighting (Per Light Row)	
			Amps	Watts
4'	2	3'	0.26	54.2
6'	4	2'	0.40	83.2
8'	4	3'	0.52	108.2

NOTES:

- "---" Indicates that the feature is not an option on this case model and/or the data is not yet available at this time.

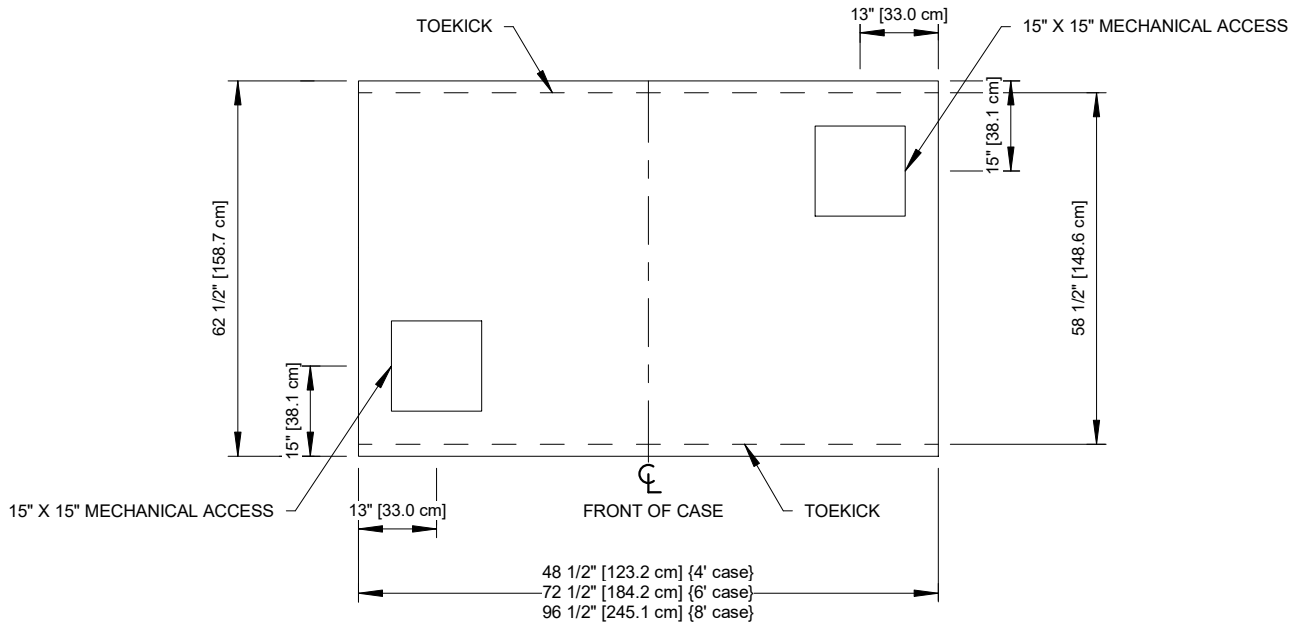
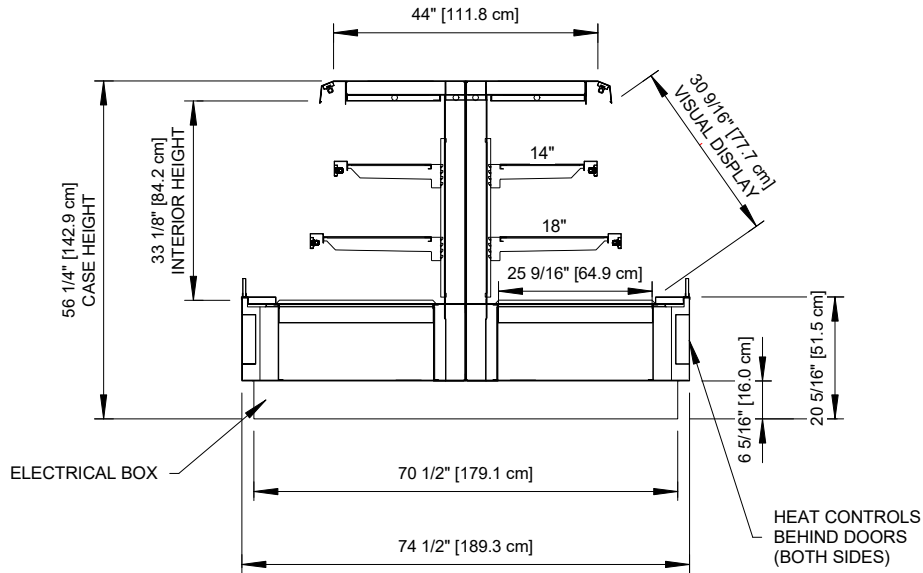


ENGINEERED FOR STORES WITH AMBIENT CONDITIONS NOT TO EXCEED 75° AND 55% RELATIVE HUMIDITY. DUE TO ENGINEERING IMPROVEMENTS SPECIFICATIONS MAY CHANGE WITHOUT NOTICE. ALL MEASUREMENTS ARE TAKEN PER ASHRAE-72 SPECIFICATIONS. NUMBERS ARE BASED ON STANDARD CASE SIZES. CONSULT ENGINEERING.

PFI-6-H-IC-i2i

Rev. Date	Rev. #	Rev. Title
02-16-22	1	NEW STANDARDS





ENGINEERED FOR STORES WITH AMBIENT CONDITIONS NOT TO EXCEED 75° AND 55% RELATIVE HUMIDITY. DUE TO ENGINEERING IMPROVEMENTS SPECIFICATIONS MAY CHANGE WITHOUT NOTICE. ALL MEASUREMENTS ARE TAKEN PER ASHRAE-72 SPECIFICATIONS. NUMBERS ARE BASED ON STANDARD CASE SIZES. CONSULT ENGINEERING.

PFI-6-H-IC-i2i

Rev. Date	Rev. #	Rev. Title
02-16-22	1	NEW STANDARDS



Hillphoenix
a DOWER company