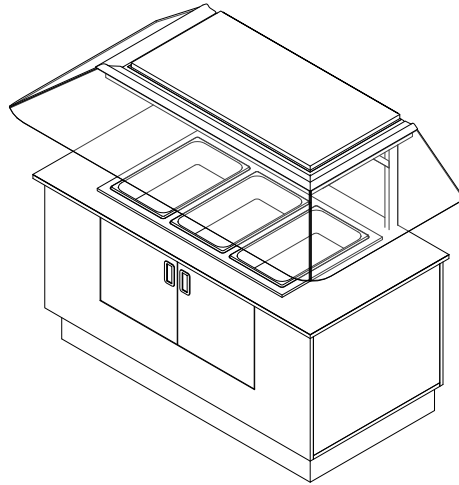


GENERAL NOTES:

- "---" Indicates that the feature is not an option on this case model and/or the data is not yet available at this time.



SHIPPING WEIGHT	
Case	Weight
SB-5-H-EC-i2i	---



ENGINEERED FOR STORES WITH AMBIENT CONDITIONS NOT TO EXCEED 75° AND 55% RELATIVE HUMIDITY. DUE TO ENGINEERING IMPROVEMENTS SPECIFICATIONS MAY CHANGE WITHOUT NOTICE. ALL MEASUREMENTS ARE TAKEN PER ASHRAE-72 SPECIFICATIONS. NUMBERS ARE BASED ON STANDARD CASE SIZES. CONSULT ENGINEERING.

SB-5-H-EC-i2i

Rev. Date	Rev. #	Rev. Title
03-15-22	2	DATA UPDATE
03-08-22	1	NEW STANDARDS



SELF-SERVICE DATA										
Top Heaters		Bottom Heaters		Lights		Total Amps (208-3-60)			Total Amps (120/208-1-60)	
Qty	Watts (Each)	Qty	Watts (Each)	Qty	Watts (Each)	L1	L2	L3	L1	L2
2	400	1	3620	3	40	22.3	4.9	14.4	22.3	21.3

ELECTRICAL DATA								
Fans Per Case	Control Fans		Anti-Condensate Fans		Drain Heaters		Optional Defrost Heaters	
	208 Volts		120 Volts		120 Volts		208 Volts	
	Amps	Watts	Amps	Watts	Amps	Watts	Amps	Watts
1	.06	14	---	---	---	---	---	---

LIGHTING DATA			
Lights Per Row	Light Length	Incandescent Lighting (Per Light Row)	
		Amps	Watts
---	---	---	---

NOTES:

- "----" Indicates that the feature is not an option on this case model and/or the data is not yet available at this time.

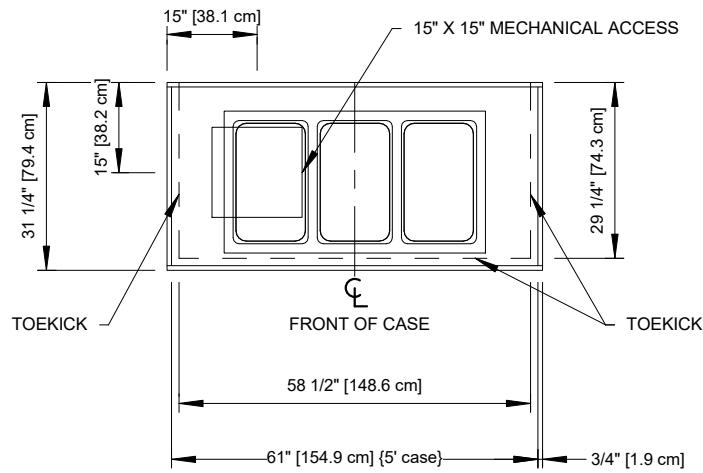
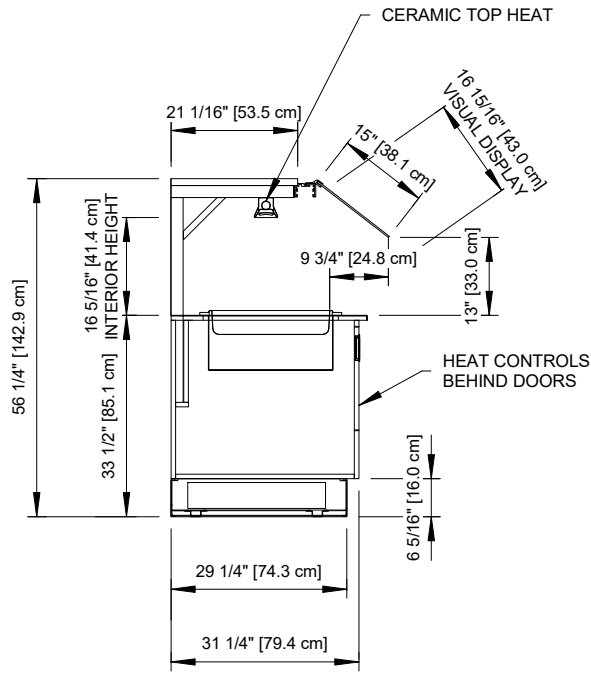


ENGINEERED FOR STORES WITH AMBIENT CONDITIONS NOT TO EXCEED 75° AND 55% RELATIVE HUMIDITY. DUE TO ENGINEERING IMPROVEMENTS SPECIFICATIONS MAY CHANGE WITHOUT NOTICE. ALL MEASUREMENTS ARE TAKEN PER ASHRAE-72 SPECIFICATIONS. NUMBERS ARE BASED ON STANDARD CASE SIZES. CONSULT ENGINEERING.

SB-5-H-EC-i2i

Rev. Date	Rev. #	Rev. Title
03-15-22	2	DATA UPDATE
03-08-22	1	NEW STANDARDS





ENGINEERED FOR STORES WITH AMBIENT CONDITIONS NOT TO EXCEED 75° AND 55% RELATIVE HUMIDITY. DUE TO ENGINEERING IMPROVEMENTS SPECIFICATIONS MAY CHANGE WITHOUT NOTICE. ALL MEASUREMENTS ARE TAKEN PER ASHRAE-72 SPECIFICATIONS. NUMBERS ARE BASED ON STANDARD CASE SIZES. CONSULT ENGINEERING.

SB-5-H-EC-i2i

Rev. Date	Rev. #	Rev. Title
03-15-22	2	DATA UPDATE
03-08-22	1	NEW STANDARDS



MULTIFUNCTIONAL ISLAND SYSTEM



a DOVER company