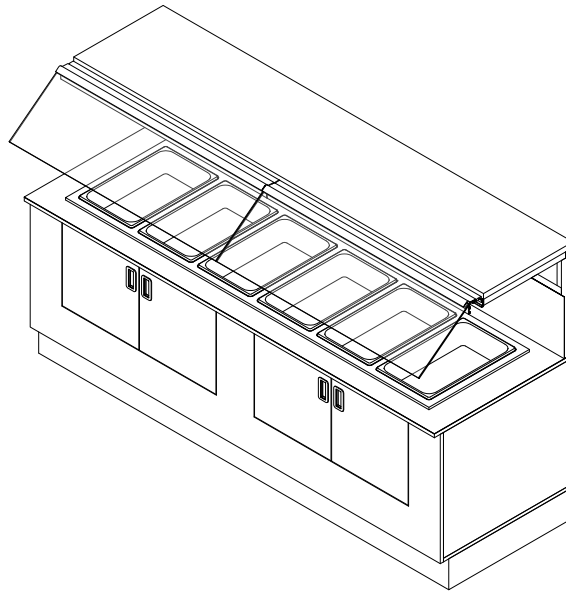


GENERAL NOTES:

- "---" Indicates that the feature is not an option on this case model and/or the data is not yet available at this time.



SHIPPING WEIGHT	
Case	Weight
SB-5-H-IC-i2i	---



ENGINEERED FOR STORES WITH AMBIENT CONDITIONS NOT TO EXCEED 75° AND 55% RELATIVE HUMIDITY. DUE TO ENGINEERING IMPROVEMENTS SPECIFICATIONS MAY CHANGE WITHOUT NOTICE. ALL MEASUREMENTS ARE TAKEN PER ASHRAE-72 SPECIFICATIONS. NUMBERS ARE BASED ON STANDARD CASE SIZES. CONSULT ENGINEERING.

SB-5-H-IC-i2i

Rev. Date	Rev. #	Rev. Title
03-15-22	3	DATA UPDATE
01-19-22	2	DATA UPDATE



SELF-SERVICE DATA									
Case Length	Top Heaters		Bottom Heaters		Lights		Total Amps (120/208-3-60)		
	Qty	Watts (Each)	Qty	Watts (Each)	Qty	Watts (Each)	L1	L2	L3
4'	1	400	1	2415	2	40	13.6	2.7	11.6
6'	3	400	1	4804	3	40	17.4	18.3	23.1
8'	4	400	1	7220	5	40	25.2	26.7	34.7

ELECTRICAL DATA									
Case Length	Fans Per Case	Control Fans		Anti-Condensate Fans		Drain Heaters		Optional Defrost Heaters	
		Amps	Watts	120 Volts		120 Volts		208 Volts	
				Amps	Watts	Amps	Watts	Amps	Watts
4'	1	0.11	23	---	---	---	---	---	---
6'	1	0.11	23	---	---	---	---	---	---
8'	1	0.11	23	---	---	---	---	---	---

LIGHTING DATA				
Case Length	Lights Per Row	Light Length	Incandescent Lighting (Per Light Row)	
			Amps	Watts
4'	---	---	---	---
6'	---	---	---	---
8'	---	---	---	---

NOTES:

- "----" Indicates that the feature is not an option on this case model and/or the data is not yet available at this time.

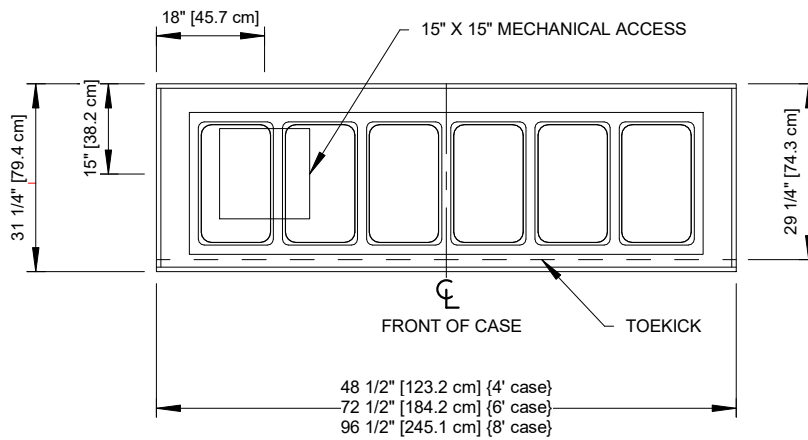
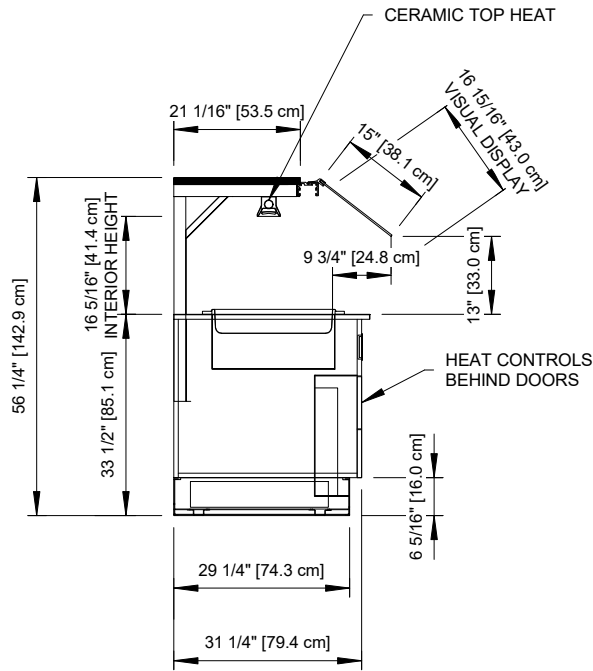


ENGINEERED FOR STORES WITH AMBIENT CONDITIONS NOT TO EXCEED 75° AND 55% RELATIVE HUMIDITY. DUE TO ENGINEERING IMPROVEMENTS SPECIFICATIONS MAY CHANGE WITHOUT NOTICE. ALL MEASUREMENTS ARE TAKEN PER ASHRAE-72 SPECIFICATIONS. NUMBERS ARE BASED ON STANDARD CASE SIZES. CONSULT ENGINEERING.

SB-5-H-IC-i2i

Rev. Date	Rev. #	Rev. Title
03-15-22	3	DATA UPDATE
01-19-22	2	DATA UPDATE





ENGINEERED FOR STORES WITH AMBIENT CONDITIONS NOT TO EXCEED 75° AND 55% RELATIVE HUMIDITY. DUE TO ENGINEERING IMPROVEMENTS SPECIFICATIONS MAY CHANGE WITHOUT NOTICE. ALL MEASUREMENTS ARE TAKEN PER ASHRAE-72 SPECIFICATIONS. NUMBERS ARE BASED ON STANDARD CASE SIZES. CONSULT ENGINEERING.

SB-5-H-IC-i2i

Rev. Date	Rev. #	Rev. Title
03-15-22	3	DATA UPDATE
01-19-22	2	DATA UPDATE



Hillphoenix
a DOVER company